

# ROAD WIDENER OFFSET VIBE ROLLER

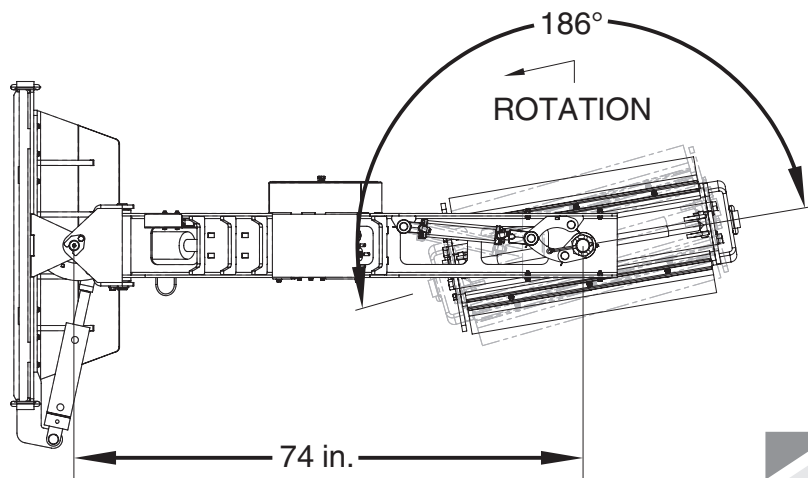
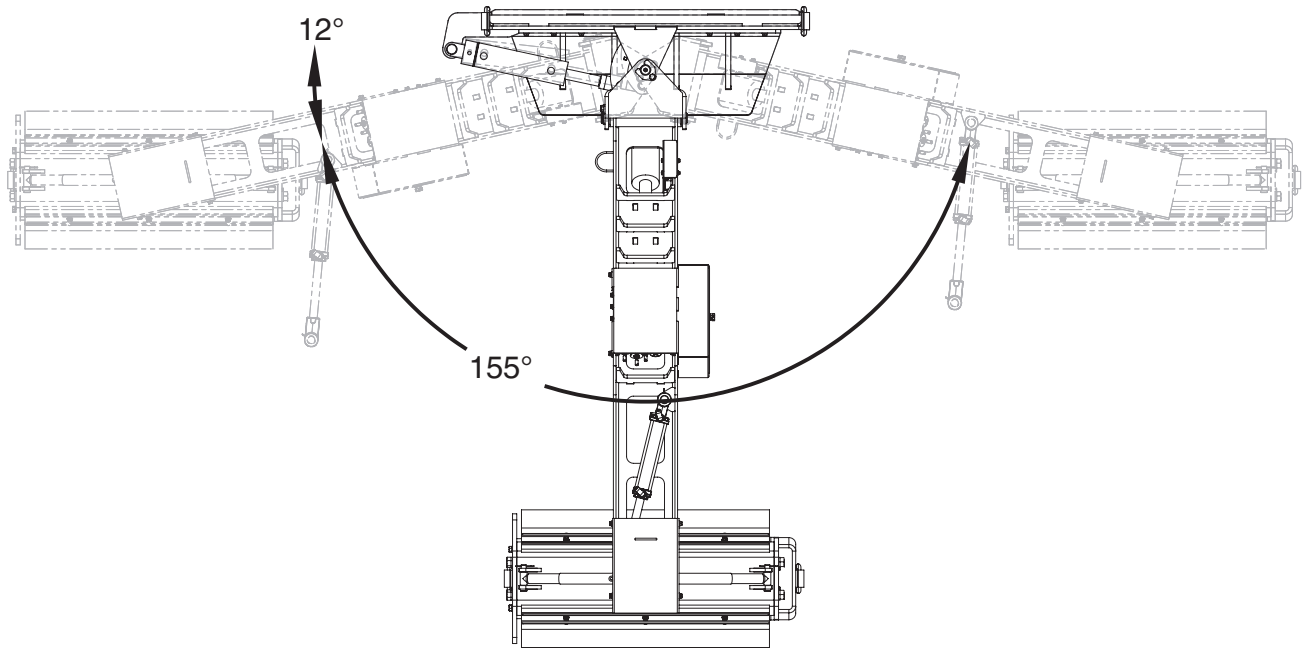
*Compacts All Aggregates  
Connects to Any Machine  
Patented Technology*



**ROADWIDENER<sup>®</sup>**

1-844-494-3363 | [Sales@RoadWidenerLLC.com](mailto:Sales@RoadWidenerLLC.com)  
[www.RoadWidenerLLC.com](http://www.RoadWidenerLLC.com)

# OFFSET VIBE ROLLER - PRODUCT SPECIFICATIONS



*Unique versatility creates unmatched safety.*

ARM WEIGHT (KG)	ARM WEIGHT (LB)	DRUM WIDTH (CM)	DRUM WIDTH (FT)	DRUM MASSV (KG)	DRUM MASSV (LB)	AMPLITUDE (MM)	AMPLITUDE (INCHES)	VPM
353	779	61.0	2'	283	625	0.47	0.02	500-2500
353	779	91.4	3'	384	847	0.47	0.02	500-2500
353	779	121.9	4'	455	1003	0.58	0.02	500-2500



*Offset feature allows operator to stay on the road while rolling and compacting shoulders and ditches.*



*Safest rolling solution on the market!*

- Safest roller on the market – one-of-a kind attachment
- Attaches to any machine via SAE quick connector coupling
- Requires only standard flow hydraulics
- Remote control puts functions in the hands of the operator
- Vibratory feature creates optimal compaction
- Can roll stone, asphalt, RAP, dirt
- Multiple roller widths 2', 3', and 4'
- Can roll outside slope of shoulder, not just horizontal edges (up to 30-degree drum pivot)
- Can be dropped down into trenches – drum goes to 30 inches below mounting point



*Remote control*

# ROADWIDENER



Road Widener LLC

Dealer Inquiries: 888-871-3536

Sales: 844-4WIDENER (844-494-3363)

[sales@roadwidenerllc.com](mailto:sales@roadwidenerllc.com)

[www.roadwidenerllc.com](http://www.roadwidenerllc.com)



Made in the USA.