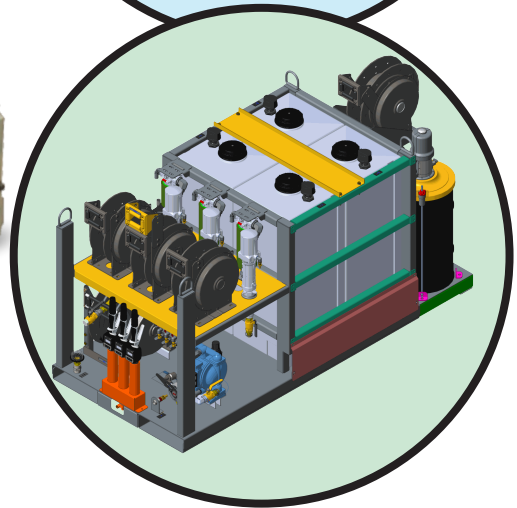
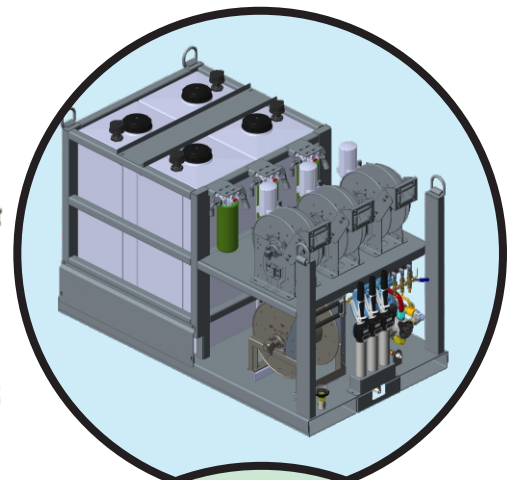


MOBILE LUBE SKIDS

TURN ANY TRUCK INTO A LUBE TRUCK

Maintainer's mobile lube skids easily load and unload from your mechanics truck or trailer to provide lube services in the field



• MINING • CONSTRUCTION • AGRICULTURE • LOGGING

Maintainer

800-831-8588 | www.maintainer.com

FEATURES AND BENEFITS

Maintainer's lube skids are built with the same attention to detail as all of their lubrication equipment and are completely self-contained and fully mobile



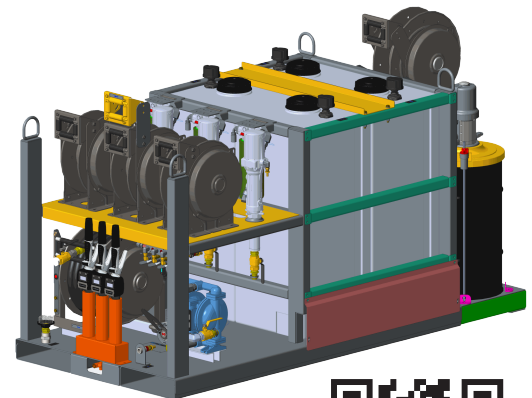
8 STANDARD CONFIGURATIONS AVAILABLE:

<p>LUBE SKID 1 MODEL #OOE <i>3 Pump Kit Skid</i></p> <ul style="list-style-type: none"> • (2) 55 gallon oil tanks • (1) 110 gallon waste oil tank <hr/> <ul style="list-style-type: none"> • 75.5" L x 42" W x 49" H • Empty weight: 1,162 lbs. • Tanks full / evac empty weight: 2,020 lbs. <p>Part #021584</p>	<p>LUBE SKID 2 MODEL #OAE <i>3 Pump Kit Skid</i></p> <ul style="list-style-type: none"> • (1) 55 gallon oil tank • (1) 55 gallon antifreeze tank • (1) 110 gallon waste oil tank <hr/> <ul style="list-style-type: none"> • 75.5" L x 42" W x 49" H • Empty weight: 1,162 lbs. • Tanks full / evac empty weight: 2,047 lbs. <p>Part #021585</p>	<p>LUBE SKID 3 MODEL #OOOE <i>4 Pump Kit Skid</i></p> <ul style="list-style-type: none"> • (3) 55 gallon oil tanks • (1) 55 gallon waste oil tank <hr/> <ul style="list-style-type: none"> • 75.5" L x 42" W x 49" H • Empty weight: 1,312 lbs. • Tanks full / evac empty weight: 2,599 lbs. <p>Part #021522</p>	<p>LUBE SKID 4 MODEL #OOAE <i>4 Pump Kit Skid</i></p> <ul style="list-style-type: none"> • (2) 55 gallon oil tanks • (1) 55 gallon antifreeze tank • (1) 55 gallon waste oil tank <hr/> <ul style="list-style-type: none"> • 75.5" L x 42" W x 49" H • Empty weight: 1,312 lbs. • Tanks full / evac empty weight: 2,626 lbs. <p>Part #021586</p>
<p>LUBE SKID 5 MODEL #OOEG <i>4 Pump Kit Skid</i></p> <ul style="list-style-type: none"> • (2) 55 gallon oil tanks • (1) 110 gallon waste oil tank • 120 lb. grease kit <hr/> <ul style="list-style-type: none"> • 93.5" L x 42" W x 55.5" H • Empty weight: 1,507 lbs. • Tanks full / evac empty weight: 2,485 lbs. <p>Part #021587</p>	<p>LUBE SKID 6 MODEL #OAEG <i>4 Pump Kit Skid</i></p> <ul style="list-style-type: none"> • (1) 55 gallon oil tank • (1) 55 gallon antifreeze tank • (1) 110 gallon waste oil • 120 lb. grease kit <hr/> <ul style="list-style-type: none"> • 93.5" L x 42" W x 55.5" H • Empty weight: 1,507 lbs. • Tanks full / evac empty weight: 2,512 lbs. <p>Part #021588</p>	<p>LUBE SKID 7 MODEL #OOOEG <i>5 Pump Kit Skid</i></p> <ul style="list-style-type: none"> • (3) 55 gallon oil tanks • (1) 55 gallon waste oil tank • 120 lb. grease kit <hr/> <ul style="list-style-type: none"> • 93.5" L x 42" W x 55.5" H • Empty weight: 1,657 lbs. • Tanks full / evac empty weight: 3,064 lbs. <p>Part #021589</p>	<p>LUBE SKID 8 MODEL #OOAEG <i>5 Pump Kit Skid</i></p> <ul style="list-style-type: none"> • (2) 55 gallon oil tank • (1) 55 gallon antifreeze tank • (1) 55 gallon waste oil tank • 120 lb. grease kit <hr/> <ul style="list-style-type: none"> • 93.5" L x 42" W x 55.5" H • Empty weight: 1,657 lbs. • Tanks full / evac empty weight: 3,091 lbs. <p>Part #021590</p>

Skids include product filtration system on oils, and metered dispensers on oils and antifreeze

RUGGED CONSTRUCTION:
Our lube skids are constructed from structural tube & 7ga. sheet metal with a tube frame to support the reel shelf and tank containment.

USER FRIENDLY: We provide 4 heavy duty tie-down/lifting rings and integrated forklift pockets on the skid for easy removal or loading with a crane or fork truck.



SCAN & VISIT
OUR WEBSITE

