



BL70C

Backhoe Loader



KEY FEATURES

- Electronically controlled power shift transmission. Reduced operator effort. Uninterrupted power flow.
- The electronically controlled service brake features low pedal pressure and automatic parking brake application when the machine is parked
- Equipped with an efficient load sensing hydraulic system. The pilot controls provide precise operation.
- The efficient, strong, high torque engine provides power and responsiveness for both travel and multi-function hydraulic system operation

Total Weight

7,500 Kg - 16,535 lb

Rated Power

74.5 kW/2,200 rpm -
100 hp/2,200 rpm

Bucket Capacity

1.0 m³ - 1.3 yd³
0.26 m³ - 0.34 yd³

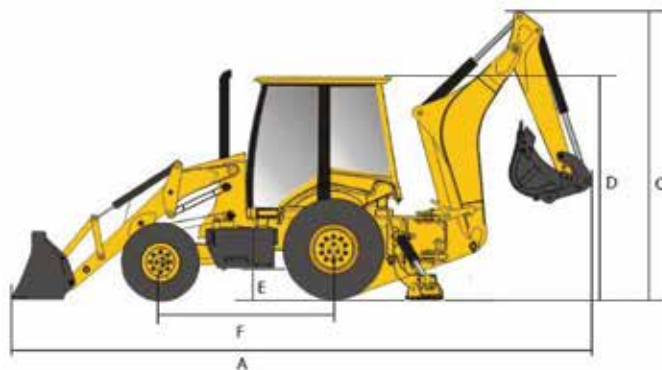
Digging Depth

4,360 mm - 14.3 ft

BL70C Dimensions & Specifications

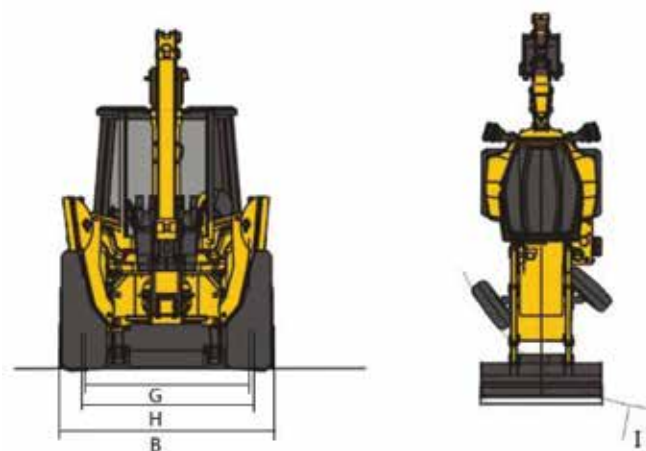
OVERALL DIMENSIONS

	Standard	Metric
A Transport Length	24' 3"	7381 mm
B Transport Width	7' 6"	2280 mm
C Transport Height	12' 3"	3732 mm
D Cab Height	10' 3"	3129 mm
E Minimum Ground Clearance (Gear-box)	1' 2"	356 mm
F Wheelbase	7' 4"	2245 mm
G Front Wheel Tread Gauge	5' 10"	1775 mm
H Rear Wheel Tread Gauge	5' 10"	1780 mm
I Turning Circle (Front Tire Outskirt, Brake)	27' 11"	8500 mm
Turning Circle (Front Tire Outskirt)	31' 2"	9488 mm



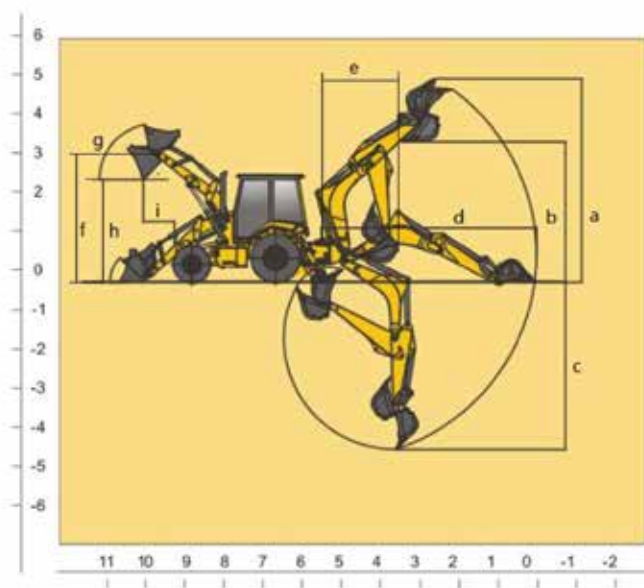
MACHINE PARAMETERS

	Standard	Metric
Operating Weight	16,865 lb	7650 kg
Engine Type	Turbo, Air Charge, Electrical Control	
Engine Max Power (Gross)	99 hp	74Kw@2200rpm
Engine Max Torque	410Nm@1600rpm	
Engine Displacement	0.95 gal	3.6 L
Main Pump Flow	41 gpm	156L/min
Speed Gear 1	3.5 mph	5.7 Km/h
Speed Gear 2	6.2 mph	10 Km/h
Speed Gear 3	13.0 mph	21 Km/h
Speed Gear 4	22.4 mph	36 Km/h
Max Arm Digging Force (ISO)	7,194 lbf	32 KN
Fuel Tank Capacity	37 gal	140 L
DEF Tank Capacity	2.6 gal	10 L
Hydraulic Tank Capacity	32 gal	120 L
Cooling System Capacity	5.3 gal	20 L
Engine Oil Capacity	2.2 gal	8.5 L
Gear-box Oil Capacity	4.8 gal	18 L



WORKING RANGE

Backhoe	Standard	Metric
a Maximum Digging Height	17' 7"	5370 mm
b Maximum Dumping Height	23' 4"	7100 mm
c Maximum Digging Depth	24' 1"	7327 mm
d Maximum Digging Reach	18' 7"	5671 mm
e Minimum Swing Radius	6' 11"	2099 mm
Loader		
f Maximum Hinge Pin Height	11' 5"	3478 mm
g Dump Angle at Full Height	43°	
h Dump Height at Maximum Angle	9' 0"	2742 mm
i Dump Reach at Maximum Angle	2' 9"	849 mm



SANY America Inc.

318 Cooper Circle | Peachtree City, GA 30269
T: 678-251-2810 | F: 770-632-7820

www.sanyamerica.com

