

HYDRAULIC EXCAVATOR **SY365C** T4f



SANY
AMERICA INC.

Rated Power

275 hp / 205kW

Operating Weight

79,860 lb (36,224 kg)

Dig Depth

24' 2" / 7377 mm

Bucket Breakout

43,163 lbf / 192 kN

Performance to fit any application

The Sany SY365C excavator is designed to help you work efficiently while maximizing your jobsite productivity. It has many features to help operators achieve the balance of power, smoothness, fuel efficiency and speed. You can depend on the SY365C to get the job done right and on time.

SanyLIVE GPS

Machines are outfitted with the SanyLIVE GPS system to allow fleet managers to monitor machines and proactively react to the needs of the equipment.

Standard Aux Hydraulics

The SY365C comes standard with auxiliary hydraulic lines plumbed down to the arm tip for hydraulic power ready to use.

Side Frame Protection

Upper frames come standard with side frame rails to aid in protection of the machine from its surroundings.

In-Cab Color Monitor

Intuitive, quick communication of key operating parameters. Ability to easily see information about machine set-up and performance.

Four Different Working Modes

Allow the machine to be easily set up for the job and application at hand.



HYDRAULIC EXCAVATOR SY365C **Walk-Around**

Optimized Cabin

For excellent visibility and maximum operator comfort and control.

Work Harder, More Efficiently, and Longer

Equipped with a powerful and efficient Cummins QSL 9 Tier 4f engine with a highly engineered hydraulic system to match engine response.

Simplified Service

A key tool for more uptime and reduced cost. Ground level service items aid in quick and easy maintenance.

Outstanding Durability

X-beam design uses a high strength box-section structure for maximum durability and excellent torsion-resistant performance.

Rearview Camera

Comes standard with the rearview camera providing increased visibility behind the machine.

Reliable First-Class Components

Guarantee easiest and most versatile operation in every working environment.

Undercarriage Components

High quality and durable undercarriage for long life and resistance to wear.



Operator comfort to maximize your productivity

Any person in any job performs better when the working conditions are right. The SY365C cabin provides just such an environment for operators. Our design which places operator comfort center stage, ensures that during the work day the focus is on the job.



Comfort and Control Comes Standard

Sany's optimized operator cabin provides all-around visibility and is designed to support the operator's natural range of motion. Spacious leg room and an adjustable seat provide an excellent working environment for increased productivity. Optional air suspension seat is available for maximum operator comfort.

HYDRAULIC EXCAVATOR SY365C OPTIMIZED CABIN

Spacious, ergonomically designed work station with every operator need in mind.

Excellent operator entrance and egress.

Industry-standard, high BTU heating and air conditioning. This highly efficient system allows the operator to make the cab environment one that he can focus on the work.

Quiet operation.

Multiple machine operation modes for maximum productivity.

Exceptional operator visibility.

ISO and SAE control patterns with standard pattern change valves allow the operator to set the machine to his desired settings.

Comfortable operator's seat.

Hydraulic-over-hydraulic pilot system provides smooth feel and control.

Low-effort, precise control levers.

Proportional thumb control of the aux hydraulics allows operators to run a wide range of hydraulically powered tools with precision.



The power to get the job done right

The SY365C is equipped with a Cummins QSL 9 liter Tier 4f engine delivering maximum power of 286hp (213kw). Matching engine output to the highest quality hydraulic components allows the independent systems to act as one and maximize fuel efficiency and machine performance.



Cummins QSL 9 T4f

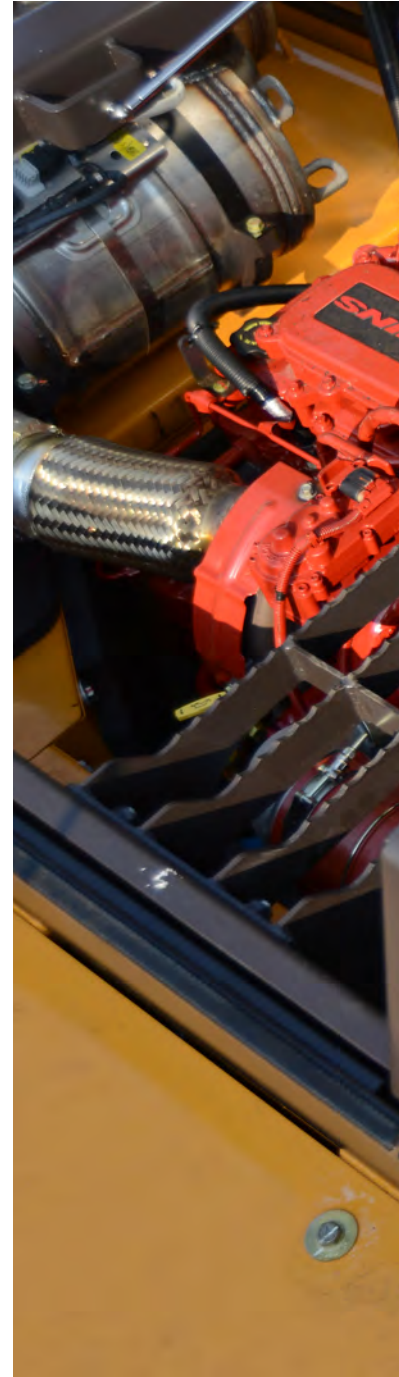
Engine Performance

Utilizing high-quality engines and hydraulic components, the SY365C performs at the peak of efficiency.

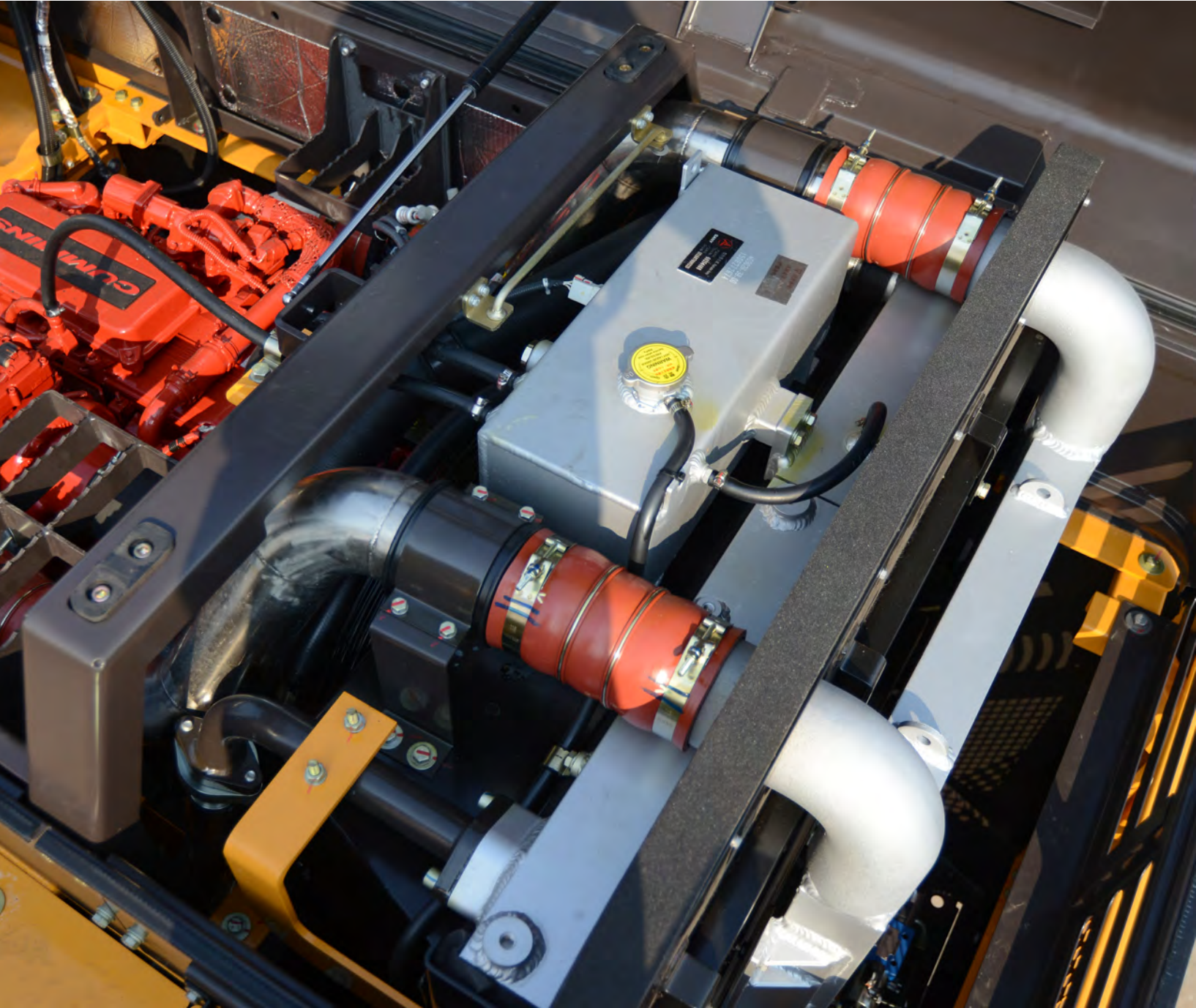
The machine has a highly engineered hydraulic system that reduces fuel consumption and provides an efficient balance of the main pump and engine power.

A variable speed fan drive system for noise reduction allows the machine to meet the needs of operators and people on the ground around the machine and to reduce fuel consumption.

The cooling system is sized to match the cooling requirements to the power needs of the most demanding operating conditions. It offers an optimized fan drive coupled with a side-by-side cooler to provide the necessary cooling for the engine and hydraulics. The auto-idle system is conveniently turned on or off with the push of a button on the display monitor in the cab. While it is operating, it allows the engine to drop to low idle to reduce waste of fuel when the machine doesn't require the power. When the operator is ready to resume operation, the system quickly reacts and resumes engine operation where it left off. Spin-on fuel water separator and oil filter, air pre-cleaner and dual-element air filtration are standard and easily serviceable.



HYDRAULIC EXCAVATOR SY365C ENGINE



Engine Oil Filter



Coolant Filter



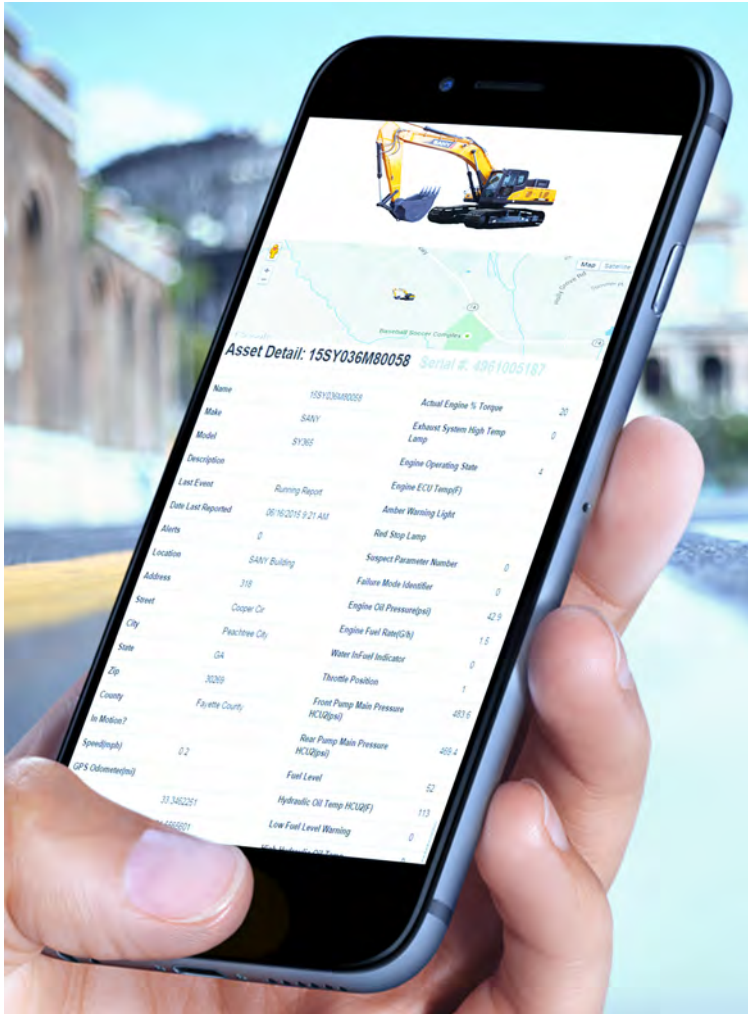
Engine Fuel Filter



Dual Air Filtering System

Connect and manage your machines

With SanyLIVE, it's easy to follow and manage your fleet. The system can be accessed from a website or right from your smartphone or tablet so you can get real time information on your machines no matter where you are.



- State-of-the-art fleet management tools.
- Understand and track machine utilization.
- Schedule machine maintenance before it is due.
- Free IOS and Android apps.
- Geo-fencing capability.
- Monitor your fuel usage to understand real time operating costs.
- Compatible with other systems.

HYDRAULIC EXCAVATOR SY365C GPS



You can be notified of the regular service needs of your equipment with the automated messaging system.

Machine location and alerts can be seen and filtered so that you can focus on the machines that need attention.

Alerts are sent to allow proactive and early scheduling of fuel trucks, regular maintenance and other service items to allow your operators to keep working and keep utilization rates high and downtime low.

The system allows real-time monitoring of machine operating performance.



HYDRAULIC EXCAVATOR SY365C **HYDRAULICS**

Striking the balance of power and speed.

With a finely tuned hydraulic system, the SY365C provides a real-time match of flow to the demand and engine power available. You can be certain that the machine will operate at the peak of efficiency.



Hydraulic Features

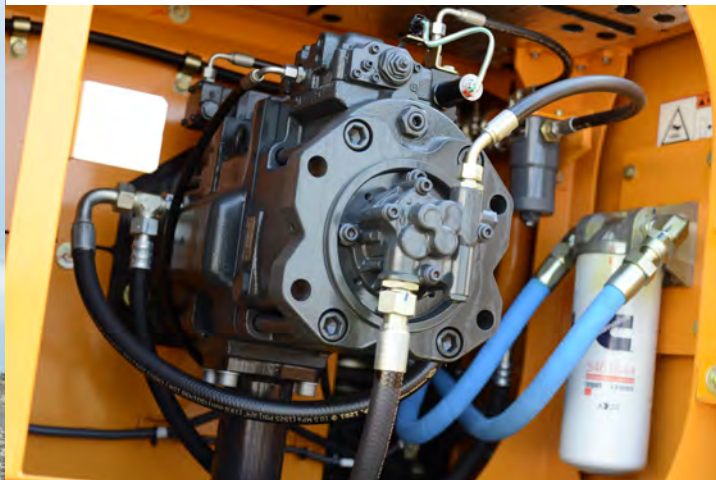
Excellent feathering-touch with work tools and fine grading. Precise control in lifting applications. Smooth use of power during digging. High torque swing reduction provides quick cycle times and precise movements of the upper structure.

Tandem variable displacement piston pumps deliver 106 gallons per minute of flow to provide the hydraulic horsepower necessary to get the work done.

High quality hydraulic components and suppliers ensure that the machine is set up to respond to the operator's needs, whether it is quick cycle times, hard digging or fine operation.

Additional Hydraulic Function is the New Standard

Responsive two-way auxiliary hydraulics are standard. Full power is available for high productivity and precise control. Pre-plumbed with hard lines to the end of the arm for ready-to-go, work tool connection.



A pattern change valve is standard on the machines. Power boost function for momentary pressure boost when more force is needed to power through.



HYDRAULIC EXCAVATOR SY365C MACHINE SPECIFICATIONS

ENGINE

Type	In-line, high-pressure, common rail
Gross Rated Power SAE J1995	275 hp (205 kW) @ 2200 RPM
Gross Max Power	286 hp (213 kW) @ 1850 RPM
Max Torque	895 lb-ft (1213 N-m) @ 1500 RPM
No. of Cylinders	6
Displacement	543 in ³ (8.9 liter)
Max RPM	1950 RPM
Idle RPM	1000 RPM
Auto-Idle RPM	1450 RPM
Bore	4.49 in (114 mm)
Stroke	5.69 in (145 mm)
Aspiration	Turbocharged/Aftercooled
Fan Drive Type	Direct belt driven with fan variable speed clutch
Emissions	Tier 4f

CABIN

Type	Sealed and pressurized
Seat Belt	2" (50.8 mm)
Radio Type	AM/FM with 2 speakers
Ventilation	Forced air heating and air conditioning with automatic controls

UNDERCARRIAGE

No. of Shoes (each side)	49
Track Pitch	8.5" (216 mm)
No. of Carrier Rollers - Upper (each side)	2
No. of Track Rollers - Lower (each side)	9
Shoe Width (standard)	31.5" (800 mm)

HYDRAULIC SYSTEM

Main Pump Max. Flow	2 x 106 gal (2 x 400 L)
Pump Control Type	Negative
Main Relief	4,975 psi (34.3 MPa)
Power Boost/Heavy Lift	5,400 psi (37.2 MPa)
Travel Relief	4,975 psi (34.3 MPa)
Swing Relief	3,988 psi (27.5 MPa)
Pilot Relief	565 psi (3.9 MPa)
Boom Cylinder	
No. of Cylinders	2
Bore	5.51" (140 mm)
Rod	3.94" (100 mm)
Stroke	58.27" (1480 mm)
Arm Cylinder	
No. of Cylinders	1
Bore	6.69" (170 mm)
Rod	4.72" (120 mm)
Stroke	66.34" (1685 mm)
Bucket Cylinder	
No. of Cylinders	1
Bore	5.51" (140 mm)
Rod	3.94" (100 mm)
Stroke	50.59" (1285 mm)

ELECTRICAL

Batteries	2 x 12V
Starting Motor	24V/5kW
Alternator	100A/24V

DRIVELINE

Type	Two-position axial piston with planetary reduction
Travel Brakes	Multi-disc, spring-applied, hydraulically released
Travel Speed - High Speed	3.2 mph (5.2 km/h)
Travel Speed - Low Speed	2.1 mph (3.4 km/h)
Tractive Effort	48,109 lbf (214 kN)

SWING SYSTEM

Type	Fixed displacement axial piston with planetary reduction
Brake Type	Multi-disc, spring-applied, hydraulically released
Max Swing Speed	9.8 RPM

REFILL CAPACITIES

Fuel Tank	143 gal (540 L)
Cooling System	12.5 gal (48 L)
Engine Oil	7.7 gal (29 L)
Hydraulic Tank	90 gal (340 L)
DEF Tank Capacity	5 gal (19 L)

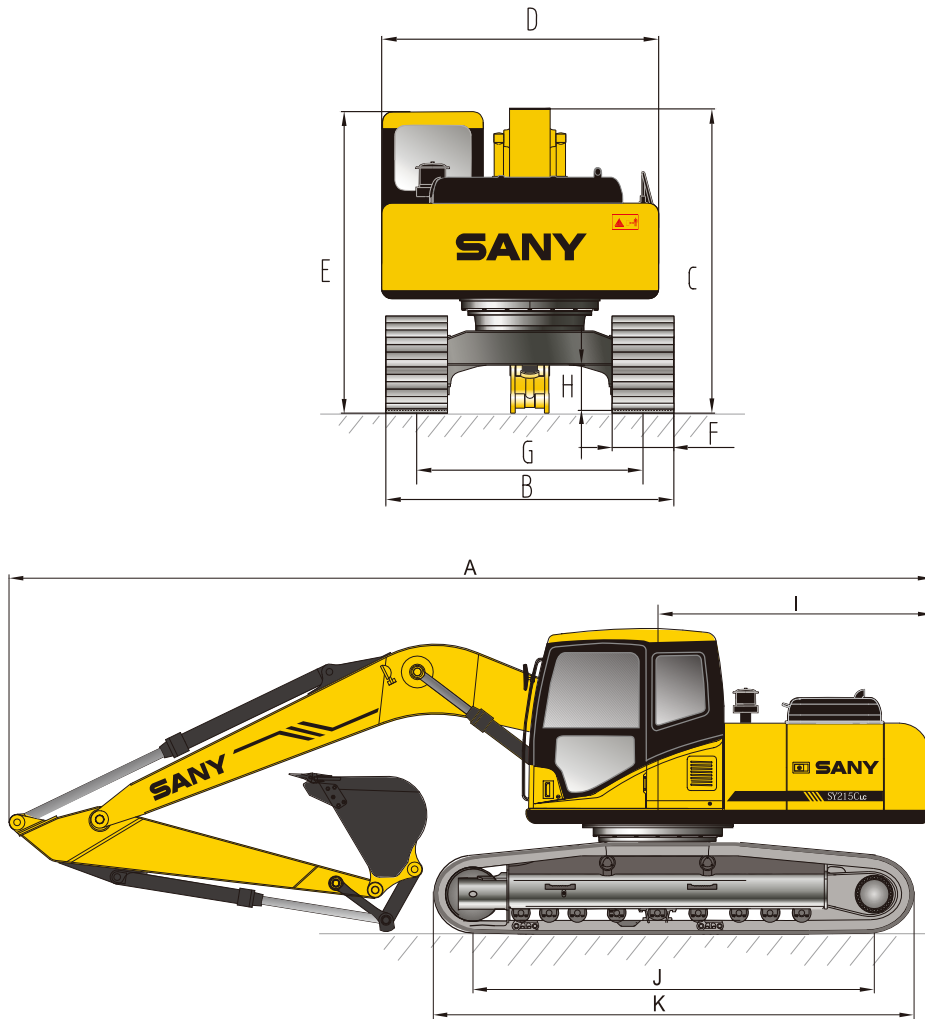
WEIGHT

Operating Weight	80,244 lb (36,398 kg)
Ground Pressure with Standard Shoes	7.1 psi (48.7 kPa)
Counterweight (standard)	14,991 lb (6800 kg)

OPERATING CONDITIONS

Minimum Operating Temperature	-40 °F (-40 °C)
Minimum Starting Temperature with No Aid	-10 °F (-23 °C)
Maximum Operating Temperature	113 °F (45 °C)

HYDRAULIC EXCAVATOR SY365C MACHINE DIMENSIONS



OVERALL DIMENSIONS

A. Transport Length	36' 5" (11100 mm)
B. Transport Width	11' 2" (3390 mm)
C. Transport Height	11' 9" (3600 mm)
D. Upper Width	9' 11" (3020 mm)
E. Cab Height	10' 4" (3140 mm)
F. Track Shoe Width (standard)	2' 7" (800 mm)
G. Track Gauge	8' 6" (2590 mm)
H. Minimum Ground Clearance	1' 9" (550mm)
I. Tail Swing Radius	10' 10" (3300 mm)
J. Length Center Idler to Center Sprocket	13' 7" (4140 mm)
K. Track Length	16' 7" (5055 mm)
Boom Length	21' 4" (6470 mm)
Arm Length (standard)	10' 5" (3178 mm)

HYDRAULIC EXCAVATOR SY365C **QUALITY**

Quality is not a goal, it's our commitment.

The structural components and work equipment of the SY365C are built Sany-strong, meaning that the fabrications are designed taking into account the most difficult and demanding operator needs and jobsite requirements.



Extensive testing and analysis ensure the structures will have the durability expected and that we deliver a machine that is ready for work in even the most demanding of environments. With the emphasis on reducing stress points, both the boom and arm go through rigorous fatigue and field-testing.



The highest quality suppliers and components are designed to function together as one unit. Marrying these quality components together means less machine downtime and that means adding more value to your bottom line.



Because Sany is one of the world's largest manufacturers of hydraulic excavators, you can be sure that our machines have been exposed to a variety of applications. At Sany, our excavators have seen it before and have had advancements made to be prepared for any job required.

Reliability that stacks up against any competition.

Productivity allowing more work to get done with less operating cost.

North American research and development team with focus on quality.



HYDRAULIC EXCAVATOR SY365C SAFETY

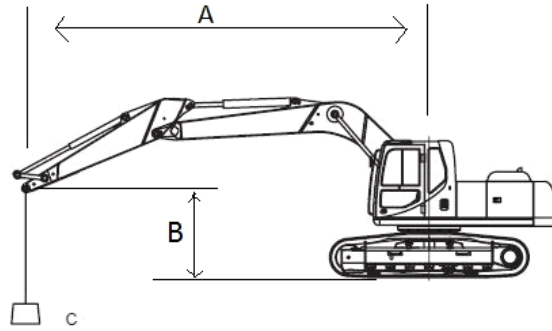
Designed to maximize your protection

Sany excavators are designed around safe operation and maintenance of the machine. The design of the cab entrance allows for easy entry into and exit from the machine. Railings are located to aid in providing a convenient working area during engine and hydraulic maintenance. The comfortable operator compartment allows the operator to be positioned so that he can control the machine effectively and safely. The display warns the operator of items such as fluid temperatures needing attention so that any issues can be addressed on the spot.



Quiet operation is key to long hours of work. The SY365C is equipped with a quiet cabin environment to ensure that operators can work all day every day they are in the machine. The machines are equipped with standard rearview cameras and mirrors to help aid the operator's visibility around the machine. The responsive low-effort hydraulic controls ensure the machine responds to the operator's demands in the most smooth and consistent way. Anti-skid is applied to areas where maintenance on the machine is necessary. A battery disconnect allows you to disconnect the machine from the main battery power supply when maintaining or storing the machine. The SY365C is designed to aid in smooth and safe operation and maintenance.

HYDRAULIC EXCAVATOR SY365C LIFTING CAPACITIES



A: Load radius
 B: Load point height
 C: Lifting capacity

21'4" (6.47 m) one piece boom
 10'5" (3.178 m) arm
 no bucket
 31.5" (800 mm) track shoes

Notes:

1. Ratings are based on ISO 10567:2007.
2. Lift capacity does not exceed 75% of tipping load with the machine on firm, level ground or 87% full hydraulic capacity not including the use of power boost.
3. *Indicates load limited by hydraulic capacity.



Rating over-front



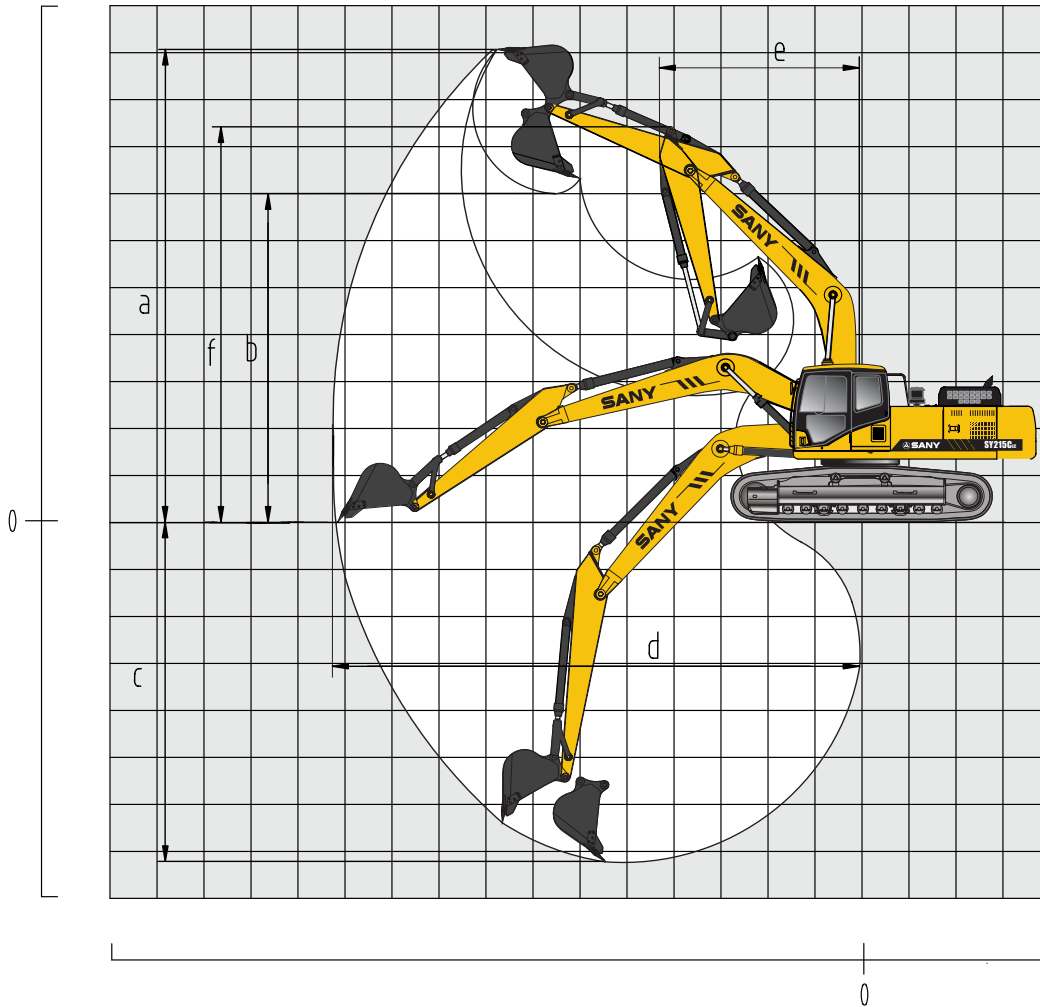
Rating over-side

Units: lb
 kg

LIFTING CAPACITIES

Load point height	Load radius										At max. reach		
	9.8 ft (3.0 m)		14.8 ft (4.5 m)		19.7 ft (6.0 m)		24.6 ft (7.5 m)		29.5 ft (9.0 m)				
24.6 ft (7.5m)	lb kg						*18129 *8223	*18129 *8223			**18144 *8230	*18114 *8230	20.1 ft (6.1m)
19.7 ft (6.0m)							*18243 *8275	*18243 *8275			*17626 *7995	*16572 *7517	23.8 ft (7.2m)
14.8 ft (4.5m)					*22309 *10119	*22309 *10119	*19273 *8742	*19273 *8742	*17505 *7940	15062 6832	*17410 *7897	14875 6748	26.0 ft (7.9m)
9.8 ft (3.0m)			*33728 *15299	*33728 *15299	*25009 *11344	*25009 *11344	*20604 *9346	19416 8807	*17948 *8141	14830 6727	*17306 *7850	14008 6354	27.1 ft (8.3m)
4.9 ft (1.5m)			*37397 *16963	*37397 *16963	*27152 *12316	23746 10771	*21707 *9846	18865 8557	18054 8189	14566 6607	*17004 *7713	13735 6230	27.3 ft (8.3m)
0 ft (0m)			*37662 *17083	*37662 *17083	*28003 *12702	23437 10631	21378 9697	18464 8375	17853 8098	14374 6520	*17388 *7887	14013 6356	26.6 ft (8.1m)
-4.9 ft (-1.5m)	*28334 *12852	*28334 *12852	*35613 *16154	*35613 *16154	*27262 *12366	23230 10537	21182 9608	18279 8291			*17476 *7927	14958 6785	24.9 ft (7.6m)
-9.8 ft (-3.0m)	*40283 *18272	*40283 *18272	*31581 *14325	*31581 *14325	*24645 *11179	23268 10554	*19052 *8642	18325 8312			*17121 *7766	17000 7711	22.1 ft (6.7m)
-14.8 ft (-4.5m)	*30426 *13801	*30426 *13801	*24800 *11249	*24800 *11249	*19202 *8710	*19202 *8710					*15820 *7176	*15820 *7176	17.4 ft (5.3m)

HYDRAULIC EXCAVATOR SY365C **WORKING RANGE**



WORKING RANGE

a	Maximum Digging Height	33' 2" (10110 mm)
b	Maximum Dumping Height	23' 4" (7100 mm)
c	Maximum Digging Depth	24' 1" (7327 mm)
d	Maximum Vertical Wall Digging Depth	21' 3" (6480 mm)
e	Maximum Digging Reach	36' 5" (11090 mm)
f	Minimum Swing Radius	14' 2" (4310 mm)
g	Maximum Height at Minimum Swing Radius	27' 10" (8480 mm)

HYDRAULIC EXCAVATOR SY365C SANY GROUP OVERVIEW

A History Worth Noting



The Sany Group was founded in 1989 as a small fabrication shop. Today, it is the largest construction machinery corporation in China and one of the largest globally. Two of its member companies are listed on separate stock exchanges; Sany Heavy Industry Co., Ltd. on the Shanghai Stock Exchange and SANYHE International Holdings Co., Ltd. on the Hong Kong Exchange. It is also listed among the world's top 500 companies in the construction machinery industry.

Sany is the leading brand in China for concrete pumping machinery, excavators, cranes, rotary drilling rigs and coal mining machinery.

Sany has state-of-the-art technology development centers and post-doctoral research centers across the globe. The Sany Group has applied for over 7,500 patents, with over 5,000 patents already authorized. With these, the Sany Group ranks among the highest in the industry in terms of filed and granted patents.

While constantly working to improve its product quality, the Sany Group is also committed to providing comprehensive and world-class customer service with 15 logistics and parts distribution centers worldwide.

The Sany Group sells and distributes equipment globally to countries in every region of the world.

With its unique advantages, Sany continues to strive to help build a better world.

Sany America Product Line-Up

Through a large network of dealers with outlets across the United States, Canada, Mexico and Central America, Sany America sells and supports earthmoving, lifting, port and road equipment.

HYDRAULIC EXCAVATOR SY365C **SANY AMERICA OVERVIEW**

Focus on North America

Incorporated in 2006, Sany America is headquartered in Peachtree City, Georgia, where its facility opened in September 2011. The facility includes 340,000 sq. ft. (31,587 m²) of manufacturing space and 60,000 sq. ft. (5,574 m²) of office space on 228 acres of land.

Besides sales, Sany America also supports in-house engineering, marketing, parts, technical publications and service operations with a parts warehouse and a staff of service technicians.

Sany America also hosts test and customer events periodically on-site to evaluate and promote its product's performance, quality and productivity.

Sany America has assembly operations in Peachtree City where machines are assembled, tested and prepared for shipping to the North American market.

The investment in the property, facility and its people, as well as the close partnership with its dealer network, shows that Sany America is committed to the North American market and dedicated to its success here.



HYDRAULIC EXCAVATOR SY365C CUSTOMER SUPPORT

Service and support to be there when you need it

Sany America is committed to providing its customers with superior service through our strong dealer network offering first class customer support for all of our products.

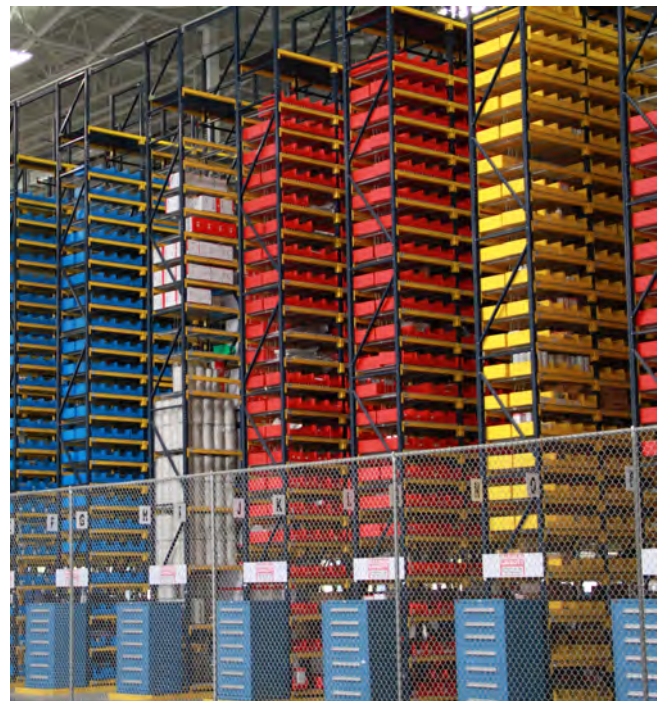
Sany America's service support team is specialized in troubleshooting issues and our staff will do what it takes to resolve your concerns.

Our parts warehouse and distribution center in Atlanta, GA, is fully capable of serving the North American market.



Oil Analysis Program

Sany America's oil analysis program helps you to detect and proactively understand machine issues before they happen. By utilizing this powerful system, you can identify potential problems and react before they require extensive repair and downtime. This program not only allows the sampling of hydraulic oil, but also all machine fluids for early detection of possible failures. It's all about knowing your machine's health and reacting before you have an issue that you can't plan for.



Sany Technician Service Training Program

At Sany, we value our investment and yours. That's why our intensive training program will provide your company with training on all of the skills necessary to keep your team informed and help keep your investment in optimal condition.



Technical Manuals

American-written Safety, Operation & Maintenance manuals with matching Maintenance Logs for record keeping is provided with each unit.

HYDRAULIC EXCAVATOR SY365C

STANDARD AND OPTIONAL EQUIPMENT

ENGINE

Mode control (H, S, L and B)
Starter motor 24V/6.7 hp
Alternator 24V/100A
Air pre-cleaner built in as part of air filter system
Dry double-filtering air cleaner
Spin-on engine oil filter
Engine oil cooler
Radiator with protective screen
Auxiliary water tank for radiator
Fan guard
Fuel filter with water separator
High pressure inline secondary fuel filter
Automatic idle system
Two 12-volt batteries
Electronic engine control
Turbocharger with charge air cooler
500-hour engine oil-change interval
Variable Speed Engine Fan

OPERATOR STATION

Low noise, steel-structured cabin
Four rubber damping isolators for support
Openable roof hatch, upper front and left windows
Rear window, escape exit
Window wiper with washer
Adjustable inclined seat with adjustable armrest
AM-FM radio with digital clock
Foot rest and floor mat
Two speakers
Rear view mirror
Seat belt
Cup holder
Interior cab light
Storage box, literature bag
Hydraulic lockout control
Fully automatic heater and air-conditioner
Cab sun visor
12V socket
Recirculation and fresh air filtration for HVAC
Deluxe air-suspension heated seat optional
GPS

HYDRAULIC SYSTEM

Four work modes for hydraulic efficiency
Control valve with main relief valve
Spare oil port for control valve
Oil suction filter
Oil return filter
Pilot filter
Power boost
Aux hydraulics with joystick proportional control
Control pattern change valve
Quick coupler controls integrated into display

UNDERCARRIAGE

Travel brake
Travel motor guard
H-track guiding mechanism
Easily adjustable track tensioner
Bolted sprocket
Carrier roller and track roller
Reinforced track link with pin and seal
Under cover plate for service and protection
800 mm track shoe standard
600 mm track shoe optional
700 mm track shoe optional

UPPER STRUCTURE

Fuel level float
Hydraulic oil level gauge
Toolbox
Rear view mirror (R and L)
Rear view camera
Counterweight
Lockable engine hood
Lockable fuel filler cap
Anti-skid plates with handrails

FRONT WORK EQUIPMENT

Three sets of auxiliary piping standard
1-way / 2-way directional flow valve
Welded H-link with lifting eye
Dust ring-seal for bucket pins
Central lubrication point for boom
21'4" fully-welded box boom
10'5" fully-welded box arm
Long arm (12' 6") optional

ELECTRICAL

Engine warning indicator
Engine coolant temperature
Fuel tank level gauge
Fuel low level warning
High voltage warning
Engine over speed
Auto-idle engine warm-up
Hi/Lo travel speed
Fully adjustable engine RPM
5 standard exterior work lights
Hour meter
Adjustable clock for all time zones
Full color LCD monitor panel
Battery disconnect switch

Quality Changes the World

Sany America, Inc.
318 Cooper Circle
Peachtree City, GA 30269
Tel: 678-251-2810
E-mail: sales@sanyamerica.com
www.sanyamerica.com

Due to continuous technological innovations, no further notice will be issued for future changes in materials and technical specifications. Optional parts or components could be included in pictures.



SANY
AMERICA INC.

B14-09212015