

GEHL®

RADIAL-LIFT TRACK LOADERS

RT175 GEN:2 | RT210 GEN:2 | RT250





In 1859, an agricultural implement company, housed in a blacksmith shop, was started in West Bend, Wisconsin. From these humble beginnings, the Gehl brand has become a major force in the compact equipment industry worldwide.



**providing an
exceptional
experience**

Since the beginning, Gehl has focused on providing solutions to our customer's needs by building quality, reliable products. With a long history of reliability and innovation, Gehl is responsive to the equipment and service needs of our customers.

With modern compact equipment manufacturing facilities in Yankton and Madison, South Dakota, and a state-of-the-art research and design facility in West Bend, Wisconsin, Gehl ensures that they are equipped with the finest in technology, tools and materials. And our top corps of engineers are skilled in designing and enhancing high-quality machines to fit the specific needs of our customers. Our equipment is modern in design and performance, but not too complicated to operate or service.

And when you purchase a piece of Gehl equipment, you have an entire organization behind you and your business. When you need support, whether it be financing, parts or service, know that Gehl will be there to provide an exceptional experience. We continually strive to preserve the level of personalized attention that Gehl began with in 1859.

GEHL®

TAKING PERFORMANCE TO THE NEXT LEVEL

The RT Series Track Loaders from Gehl provide high performance in a fully customizable package.

The new RT175 GEN:2 and RT210 GEN:2 take high-capacity power, breakout force and tractive effort to a new level. For larger jobs, the RT250 brings the extra capacity.

Since entering the track loader market in 2001, Gehl has dedicated itself to the needs of its equipment owners. We have ensured that our track loaders provide the power and features necessary to get the job done. This decade of expertise has culminated in the RT Series track loaders.

ELIMINATE TENSION HEADACHES – The IdealTrax™ Automatic Track Tensioning System maintains tensioning of the tracks when the engine is started and during operation.

POWERFUL DIESEL ENGINES – Tier IV-certified Yanmar diesel engines provide 69.9 hp on the RT175 GEN:2 and 72 hp on the RT210 GEN:2.

PRODUCTIVE PERFORMANCE – These machines pack a punch when it comes to efficiently transferring power to tractive effort.

SPACIOUS CAB INTERIOR – Ergonomic and adjustable operator's station provides class leading comfort.





What is the cure for the tension headaches caused by other track machines?

The RT Series from Gehl. With many industry-exclusive features, the RT175 GEN:2, RT210 GEN:2 and RT250 will break through industry standards.



ENGINE NOT RUNNING



ENGINE RUNNING

AUTO TENSION – The industry-exclusive IdealTrax™ Automatic Track Tensioning System, dynamically maintains proper tension during operation and releases tension when the engine is turned off. By ensuring proper track tension during operation and tension release upon shutdown, track and bearing life is increased.

STRAIGHT TRACKING – Stay on the right path with the standard straight tracking feature, which controls machine tracking from within the cab.

View IdealTrax™ in action by scanning the QR code below.





OPTIMIZED RADIAL BOOM DESIGN offers increased strength and up to 128" (3251 mm) of lift height – higher than any competitor in their respective weight classes.



DRIVE SENSITIVITY ADJUSTMENT offers five settings which adjust drive operations to suit operator preference and job application requirements.



DEDICATED, WELDED TRACK LOADER CHASSIS aids in superior weight distribution, which enhances stability, grading, tractive effort, and ride control.

ALL-TERRAIN AUTHORITY



HORSEPOWER MANAGEMENT SYSTEM monitors and adjusts the hydrostatic drive pump, resulting in tractive effort of 11,840 lbs. (5371 kg) on the RT175 GEN:2, 12,359 lbs. (5606 kg) on the RT210 GEN:2, and 14,317 lbs. (6494 kg) on the RT250.



FAST HYDRAULICS, with flow up to 37.4 gpm (141.6 L/min.) on the RT250, deliver high performance and fast cycle times. Lift cylinders incorporate cushioning for smoother operation when lowering the lift arm.



SERVICEABILITY All-new cab support lock eliminates the need for a second person when raising the ROPS/FOPS structure for maintenance.

THE MOBILE CORNER OFFICE



EXCELLENT VISIBILITY

A cab-forward design enhances the view to the bucket cutting edge from the operator's seat.



INSTRUMENTATION

The ECU (Engine Control Unit) continually monitors engine and emissions functions and alerts the operator of any issues through the in-cab monitor display.



SIDE RESTRAINT BARS

Side-folding restraint bars and arm rests provide seven positions of adjustment forward and to the rear. Over two inches of vertical adjustment provide extra leg room.



JOYSTICK CONTROLS

Fully adjustable controls mounted to the operator's seat allows them to move with the operator for precise control.



PRESSURIZED CAB

An optional pressurized, sealed cab enclosure provides a cleaner, quieter operating environment.



STAY POWERED

Two 12-volt power outlets provide the operator with flexibility to charge electronic devices while operating the machine.

When you're on the jobsite, the shots are called from the operator's station.

Gehl understands this and provides an innovative, spacious operator's compartment with the options needed to customize it to YOUR needs.

PRESSURIZED CAB WITH HEAT AND AIR

The optional pressurized cab enclosure provides heat and air conditioning, sound reduction material and a rear-mounted air filter.

GET IN CONTROL – Electro-hydraulic joystick

controls provide precise control. The ISO drive pattern configuration is standard with optional selectable configurations (ISO or dual-hand) chosen in the electronic control panel.





ALL-TACH® SYSTEM

All models feature the easy-to-use All-Tach® (universal-style) attachment mounting system that is compatible with most allied attachments.



POWER-A-TACH® SYSTEM

Power-A-Tach® system option allows users to quickly install and remove attachments. An operator leaves the seat only to connect auxiliary hydraulics, if needed.

GET ATTACHED

With a wide variety of **EDGE®** attachments available from your dealer, the RT Series Track Loaders are easily transformed to meet the needs of your business.

Track loader attachments in high demand are:

- Augers
- Pallet Forks
- Log Grapples
- Grader Blades
- Rakes
- ...and more!



Electronic attachment control option - 14-pin connector allows operation of all attachments

FEATURES	RT175 GEN:2	RT210 GEN:2	RT250
PERFORMANCE			
All-Tach® Mounting System	●	●	●
IdealTrax™	●	●	●
Straight Tracking	●	●	●
Power-A-Tach® Mounting System	○	○	○
Self-Leveling Hydraulic Lift Action	●	●	●
Selectable Self-Leveling Lift Action	○	○	○
Two-speed Hydrostatic Drive System	●	●	●
Horsepower Management System	●	●	●
ENGINE			
Engine Alert System with Error Display	●	●	●
Engine Automatic Shutdown System	●	●	●
Glowplugs Starter Assist	●	●	●
Dual-Element Air Cleaner with Indicator	●	●	●
HYDRAULIC SYSTEM			
Auxiliary Hydraulics	●	●	●
High-Flow Auxiliary Hydraulics	○	○	○
UNDERCARRIAGE			
Elevated Planetary Final Drives	●	●	●
Maintenance Free Rollers Each Side	3	4	4
Single Flange Front/Dual Flange Rear Idlers	●	●	●
Rubber Track Undercarriage System	●	●	●
Servo-Controlled Hydrostatic Drive	●	●	●
Dedicated Undercarriage	●	●	●
STRUCTURE			
Tilt-out Foot Pod	●	●	●
Back-up Alarm	●	●	●
Combination Radiator & Hydraulic Oil Cooler	●	●	●
ROPS/FOPS Level II Overhead Guard	●	●	●
Anti-Vandalism Lock Provisions	●	●	●
Mechanical Lift Cylinder Lock	●	●	●
OPERATOR'S STATION			
Pressurized Cab Enclosure with A/C	○	○	○
Multi-Function Function Display Screen	●	●	●
Drive Sensitivity Adjustment	●	●	●
Electronic Attachment Control - 14-Pin Connector	○	○	○
Electro-Hydraulic Joystick Controls	●	●	●
Selectable Control Pattern Configuration	○	○	○
Variable Speed Control, Selectable On & Off	○	○	○
Foot Throttle	●	●	●
Full-Suspension Seat	●	●	●

● STANDARD ○ OPTIONAL ● EXCLUSIVE – STD.



www.ceattachments.com



SPECIFICATIONS		RT175 GEN:2	RT210 GEN:2	RT250
DIMENSIONS	A. Overall Operating Height – Fully Raised (mm)	168" (4267)	172" (4369)	175.2" (4450)
	B. Height to Hinge Pin – Fully Raised (mm)	127.5" (3239)	128" (3251)	128" (3251)
	C. Reach – Fully Raised (mm)	34.5" (876)	37.0" (940)	39.2" (996)
	D. Dump Angle – Fully Raised	40.2°	39°	41°
	E. Dump Height – Fully Raised (mm)	98" (2489)	95.7" (2431)	91.7" (2329)
	F. Maximum Rollback Angle – Fully Raised	102.5°	102.5°	102.5°
	G. Overall Height at ROPS (mm)	82.8" (2103)	83.1" (2111)	83.1" (2111)
	H. Overall Length w/ Bucket – Std. c-wt. (mm)	144.0" (3658)	152.3" (3868)	166.0" (4216)
	I. Overall Length w/o Bucket – Std. c-wt. (mm)	110.8" (2814)	114.5" (2908)	125.0" (3175)
	J. Specified Height (mm)	67.5" (1715)	67.7" (1720)	67.7" (1720)
	K. Reach at Specified Height (mm)	31.1" (790)	31.8" (808)	32.0" (813)
	L. Dump Angle at Specified Height	75°	75°	75°
	M. Maximum Rollback Angle at Ground	30°	30°	30°
	N. Carry Position (mm)	7" (179)	7" (179)	7" (179)
	O. Maximum Rollback Angle at Carry Position	33°	33°	33°
	P. Digging Position – Below Ground (mm)	-0.3" (7.6)	-0.2" (5.1)	-0.2" (5.1)
	Q. Angle of Departure with Std. c-wt.	30.4°	29.2°	25°
	R. Ground Clearance (mm)	13.3" (343)	13" (330)	13" (330)
	S. Track Gauge (mm)	51.7" (1313)	51.7" (1313)	51.7" (1313)
	T. Track Shoe Width (mm)	12.6" (320)	17.7" (450)	17.7" (450)
	U. Crawler Base (mm)	54.8" (1392)	58.4" (1483)	61.5" (1562)
	V. Overall Width – Less Bucket (mm)	64.4" (1636)	69.5" (1765)	69.5" (1765)
	W. Bucket Width (mm)	65.9" (1674)	73.9" (1877)	83.9" (2131)
	X. Clearance Radius – Front With Bucket (mm)	91.4" (2322)	98.1" (2492)	104.7" (2659)
Z. Clearance Radius – Rear w/ Std. c-wt. (mm)	62.1" (1577)	64.6" (1641)	70.7" (1796)	
Maximum Rollback at Specified Height	66.8°	66.8°	66.8°	
Angle of Approach	90°	90°	90°	
Grouser Height (mm)	1" (25)	1" (25)	1" (25)	
CAPACITY	Operating Capacity at 35% Tipping Load (kg)	1750 lbs. (794)	2100 lbs. (953)	2500 lbs. (1134)
	Operating Capacity at 50% Tipping Load (kg)	2500 lbs. (1134)	3000 lbs. (1361)	3571 lbs. (1620)
	Tipping Load (kg)	5000 lbs. (2268)	6000 lbs. (2722)	7143 lbs. (3240)
	Operating Weight (kg)	8605 lbs. (3903)	9890 lbs. (4486)	11,595 lbs. (5259)
ENGINE	Make/Model	Yanmar / 4TNV98C-NMSL / Tier IV	Yanmar / 4TNV98CT-NMSL / Tier IV	Deutz / TD 3.6 Tier IV
	Type	4-Stroke Naturally Aspirated	4-Stroke Turbo	4-Stroke Turbo
	Displacement (L) / cylinders	203 cu.in. (3.3) / 4	203 cu.in. (3.3) / 4	221 cu.in. (3.6) / 4
	Gross Power (kW) @ rpm	69.9 hp (52.1) @ 2500	72 hp (53.7) @ 2500	74.3 hp (55.4) @ 2300
	Net Power (kW) @ rpm	68.4 hp (51) @ 2500	70.7 hp (52.7) @ 2500	NA
	Peak Torque (Nm) @ rpm	179 ft.-lbs. (242.7) @ 1600	217 ft.-lbs. (294) @ 1625	243 ft.-lbs. (330) @ 1500
	Oil Pump Capacity (L)	11 qts. (10.4)	11 qts. (10.4)	9 qts. (8.5)
	Alternator Voltage / Amperage	14V / 95A	14V / 95A	14V / 95A
TRACK DRIVES	Drawbar Pull / Tractive Effort (kg)	11,840 lbs. (5371)	12,359 lbs. (5606)	14,317 lbs. (6494)
	Track Type / Track Rollers / Roller Type	Rubber / 4 / Steel	Rubber / 5 / Steel	Rubber / 5 / Steel
	Track Width (mm)	12.6" (320)	17.7" (450)	17.7" (450)
	Ground Pressure (bar)	6.2 psi (0.43)	4.7 psi (0.32)	5.3 psi (0.37)
FORCES	Bucket Breakout – Tilt Cylinder (kg)	5189 lbs. (2354)	5492 lbs. (2491)	6294 lbs. (3127)
	Bucket Breakout – Lift Cylinder (kg)	4840 lbs. (2195)	5398 lbs. (2449)	6786 lbs. (3078)
	Ground Speed – Single Speed (km/hr)	5.1 mph (8.2)	5.4 mph (8.7)	5.4 mph (8.7)
	Ground Speed – Two Speed (km/hr)	7.5 mph (12.1)	7.9 mph (12.7)	7.9 mph (12.7)
VOLUME	Fuel Tank (L)	24 gal. (91)	24 gal. (91)	24 gal. (91)
	Hydraulic Reservoir Tank (L)	11.0 gal. (41.6)	13.8 gal. (52.2)	13.8 gal. (52.2)
	Coolant Capacity (L)	3.5 gal. (13.3)	3.8 gal. (14.4)	5.1 gal. (19.3)
HYDRAULICS	Auxiliary Hydraulic Flow – Rated Speed (L/min)	18.5 gpm (70.0)	21.8 gpm (82.5)	24.9 gpm (94.3)
	High-Flow Hydraulic Flow – Rated Speed (L/min)	34.0 gpm (128.8)	35.9 gpm (135.8)	37.4 gpm (141.6)
	Transmission Pump Type	Axial Piston	Axial Piston	Axial Piston
	Motor Type	Axial Piston with Planetary Gear Box Reduction		
BATTERY	Battery Volts	12V	12V	12V
	Cold Cranking Amps at Temperature	850 CCA @ 0°F (-18°C)	850 CCA @ 0°F (-18°C)	950 CCA @ 0°F (-18°C)

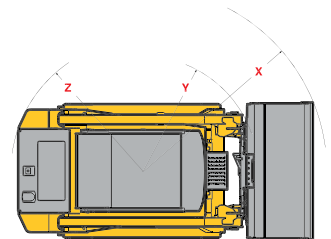
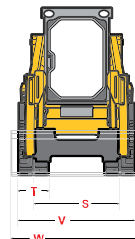
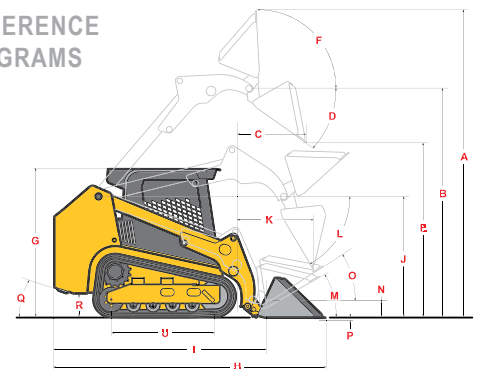
Gehl reminds users to read and understand the operator's manual before operating any equipment. Also, make sure all safety devices and shields are in place and functioning properly.

Gehl reserves the right to add improvements or make changes in specifications at any time without notice or obligation.

OWNER DRIVEN

Gehl authorized dealers offer a full line of compact equipment, backed up by exceptional sales, service and parts experience.

REFERENCE DIAGRAMS



For more information on the RT Series Track Loaders and the rest of the Gehl equipment line, call our hotline at

1-800-628-0491

or visit gehl.com



GEHL COMPACT EQUIPMENT



West Bend, WI 53095 U.S.A. | Tel: 262-334-9461 | Fax: 262-338-7517

© 2013 Manitou Americas, Inc. Gehl. All rights reserved. Printed in the U.S.A. A Manitou Group brand