



TRACK LOADERS

RADIAL LIFT



1750RT NXT2 ▲ 2100RT NXT2 ▲ 2500RT

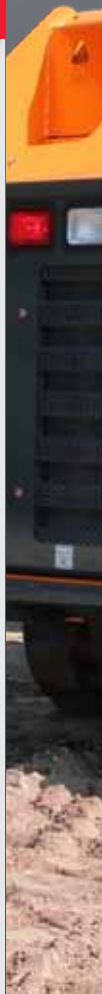


IN THE BEGINNING

What began in the 19th century as an agricultural implement manufacturer has grown into a 21st century compact equipment powerhouse – Mustang Compact Equipment.

Known in the early years as the Owatonna Manufacturing Company, Mustang was among the first to make what is known today as the skid steer loader. Since that time, Mustang has combined old-school experience with innovative processes to offer one of the broadest lines of compact equipment available today.

MUSTANG. THE ORIGINAL WORKHORSE.





TRAIL BLAZER



The all-new 1750RT NXT2 and 2100RT NXT2 track loaders from Mustang raise the bar with proven efficiency and performance. Teamed up with their older brother, the 2500RT, these track loaders provide patented, industry-exclusive features sure to blaze a new trail in the track loader market.

Since breaking into the track loader market in 2001, Mustang has learned a thing or two about what it takes to be an industry leader. Combine this expertise with input from some of the market's heaviest track loader users, and you get the home-raised RT Series Track Loaders from Mustang.

RELIEVE TENSION ▲ The IdealTrax™ Automatic Track Tensioning System automatically maintains tensioning of the tracks when the engine is started and during operation.

DIESEL ENGINE STRENGTH ▲ Tier IV-certified Yanmar diesel engines provide 69.9 hp on the 1750RT NXT2 and 72 hp on the 2100RT NXT2.

PRODUCTIVE PERFORMANCE ▲ These machines pack the punch when it comes to efficiently transferring its power to tractive effort.

SPACIOUS CAB INTERIOR ▲ Ergonomic, adjustable operator's station provides industry leading comfort and safety.

1750RT NXT2 ▲ 2100RT NXT2 ▲ 2500RT

DOMINATE IN THE DIRT



1750RT NXT2

2100RT NXT2

2500RT

Reduce the worries of proper track tension with IdealTrax™, our industry-exclusive Automatic Track Tensioning System.

STRAIGHT TRACKING ▲ Stay on the right path with the standard straight tracking feature, which controls machine tracking from within the cab.

AUTO TENSION ▲ The Mustang auto track tensioning system, IdealTrax™, hydraulically maintains proper tension during operation and releases tension when the engine is turned off.



ENGINE NOT RUNNING



ENGINE RUNNING

View IdealTrax™ in action by scanning the QR code below.





OPTIMIZED RADIAL BOOM DESIGN ▲ offers increased strength and up to 128" (3251 mm) of lift height – higher than any competitor in their respective weight classes.



DRIVE SENSITIVITY ADJUSTMENT ▲ offers five settings that adjust five operational characteristics to suit operator preference and application requirements.



DEDICATED, WELDED TRACK LOADER CHASSIS ▲ aids in superior weight distribution, which enhances stability, grading, tractive effort and ride control.

ROUGH TERRAIN DOMAIN



HORSEPOWER MANAGEMENT SYSTEM ▲ monitors and adjusts the hydrostatic drive pump, resulting in tractive effort of 11,840 lbs. (5371 kg) on the 1750RT NXT2, 12,359 lbs. (5606 kg) on the 2100RT NXT2, and 14,317 lbs. (6494 kg) on the 2500RT.



HYDRAULIC SYSTEM ▲ with flow up to 37.4 gpm (141.6 L/min.) on the 2500RT delivers high performance and fast cycle times. Lift cylinders incorporate cushioning for smoother operation when lowering the lift arm.



SERVICEABILITY ▲ All-new cab support lock eliminates the need for a second person when raising the ROPS/FOPS structure for maintenance.

1750RT NXT2 ▲ 2100RT NXT2 ▲ 2500RT

CLIMB INTO THE SADDLE



EXCELLENT VISIBILITY ▲ A cab-forward design enhances the view to the bucket cutting edge from the operator's seat.



PRESSURIZED CAB ▲ An optional pressurized, sealed cab enclosure provides a cleaner, quieter operating environment.



SIDE RESTRAINT BARS ▲ Side-folding restraint bars and arm rests provide seven positions of adjustment forward and to the rear. Over two inches of vertical adjustment provide extra leg and thigh room.



JOYSTICK CONTROLS ▲ Fully adjustable controls mounted to the operator's seat allows them to move with the operator for precise control.



INSTRUMENTATION ▲ The ECU (Engine Control Unit) continually monitors engine and emissions functions and alerts the operator of any issues through the in-cab monitor display.



STAY POWERED ▲ Two 12-volt power outlets provide the operator with flexibility to charge electronic devices while operating the machine.

The cab is the operational core for any job.

Mustang understands this and provides an operator's station with the options needed to customize it to YOUR needs.





MULTI-TACH® SYSTEM ▲

standard on all models is this universal-style attachment mounting system that is compatible with most allied attachments.

POWER-A-TACH® SYSTEM ▲

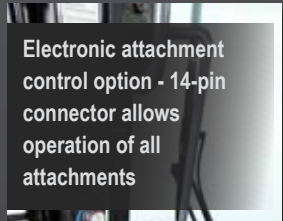
optional on all models, users quickly install and remove attachments electronically, leaving the seat only to connect auxiliary hydraulics.

TIME IS MONEY GET ATTACHED

With a wide variety of EDGE® attachments available from your dealer, the RT Series Track Loaders are easily transformed to meet the needs of your business.

Track loader attachments in high demand are:

- Augers
- Pallet Forks
- Log Grapples
- Grader Blades
- Rakes
- ...and more!



Electronic attachment control option - 14-pin connector allows operation of all attachments

EDGE
www.ceattachments.com



FEATURES	1750RT NXT2	2100RT NXT2	2500RT
PERFORMANCE			
All-Tach® Mounting System	●	●	●
IdealTrax™	●	●	●
Straight Tracking	●	●	●
Power-A-Tach® Mounting System	●	●	●
Self-Leveling Hydraulic Lift Action	●	●	●
Selectable Self-Leveling Lift Action	●	●	●
Two-speed Hydrostatic Drive System	●	●	●
Horsepower Management System	●	●	●
ENGINE			
Engine Alert System w/ Error Display	●	●	●
Engine Automatic Shutdown System	●	●	●
Glowplugs Starter Assist	●	●	●
Dual-Element Air Cleaner w/ Indicator	●	●	●
HYDRAULIC SYSTEM			
Auxiliary Hydraulics	●	●	●
High-Flow Auxiliary Hydraulics	●	●	●
UNDERCARRIAGE			
Elevated Planetary Final Drives	●	●	●
Maintenance Free Rollers Each Side	3	4	4
Single Flange Front/Dual Flange Rear Idlers	●	●	●
Rubber Track Undercarriage System	●	●	●
Servo-Controlled Hydrostatic Drive	●	●	●
Dedicated Undercarriage	●	●	●
STRUCTURE			
Tilt-out Foot Pod	●	●	●
Back-up Alarm	●	●	●
Combination Radiator & Hydraulic Oil Cooler	●	●	●
ROPS/FOPS Level II Overhead Guard	●	●	●
Anti-Vandalism Lock Provisions	●	●	●
Mechanical Lift Cylinder Lock	●	●	●
OPERATOR'S STATION			
Pressurized Cab Enclosure with A/C	●	●	●
Multi-Function Function Display Screen	●	●	●
Drive Sensitivity Adjustment	●	●	●
Electronic Attachment Control - 14-Pin Connector	●	●	●
Electro-Hydraulic Joystick Controls	●	●	●
Selectable Control Pattern Configuration	●	●	●
Variable Speed Control, Selectable On & Off	●	●	●
Foot Throttle	●	●	●
Full-Suspension Seat	●	●	●

● STANDARD ● OPTIONAL ● EXCLUSIVE – STD.

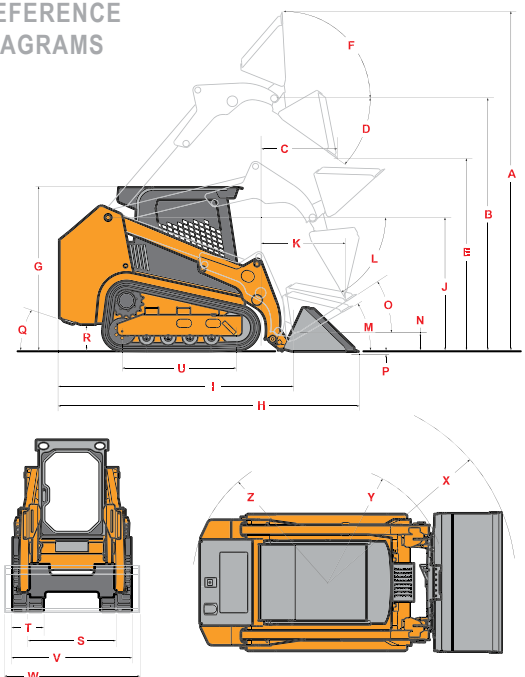
1750RT NXT2 ▲ 2100RT NXT2 ▲ 2500RT

SPECIFICATIONS		1750RT NXT2	2100RT NXT2	2500RT
DIMENSIONS	A. Overall Operating Height – Fully Raised (mm)	168" (4267)	172" (4369)	175.2" (4450)
	B. Height to Hinge Pin – Fully Raised (mm)	127.5" (3239)	128" (3251)	128" (3251)
	C. Reach – Fully Raised (mm)	34.5" (876)	37.0" (940)	39.2" (996)
	D. Dump Angle – Fully Raised	40.2°	39°	41°
	E. Dump Height – Fully Raised (mm)	98" (2489)	95.7" (2431)	91.7" (2329)
	F. Maximum Rollback Angle – Fully Raised	102.5°	102.5°	102.5°
	G. Overall Height at ROPS (mm)	82.8" (2103)	83.1" (2111)	83.1" (2111)
	H. Overall Length w/ Bucket – Std. c-wt. (mm)	144.0" (3658)	152.3" (3868)	166.0" (4216)
	I. Overall Length w/o Bucket – Std. c-wt. (mm)	110.8" (2814)	114.5" (2908)	125.0" (3175)
	J. Specified Height (mm)	67.5" (1715)	67.7" (1720)	67.7" (1720)
	K. Reach at Specified Height (mm)	31.1" (790)	31.8" (808)	32.0" (813)
	L. Dump Angle at Specified Height	75°	75°	75°
	M. Maximum Rollback Angle at Ground	30°	30°	30°
	N. Carry Position (mm)	7" (179)	7" (179)	7" (179)
	O. Maximum Rollback Angle at Carry Position	33°	33°	33°
	P. Digging Position – Below Ground (mm)	-0.3" (7.6)	-0.2" (5.1)	-0.2" (5.1)
	Q. Angle of Departure with Std. c-wt.	30.4°	29.2°	25°
	R. Ground Clearance (mm)	13.3" (343)	13" (330)	13" (330)
	S. Track Gauge (mm)	51.7" (1313)	51.7" (1313)	51.7" (1313)
	T. Track Shoe Width (mm)	12.6" (320)	17.7" (450)	17.7" (450)
	U. Crawler Base (mm)	54.8" (1392)	58.4" (1483)	61.5" (1562)
	V. Overall Width – Less Bucket (mm)	64.4" (1636)	69.5" (1765)	69.5" (1765)
	W. Bucket Width (mm)	65.9" (1674)	73.9" (1877)	83.9" (2131)
	X. Clearance Radius – Front With Bucket (mm)	91.4" (2322)	98.1" (2492)	104.7" (2659)
	Z. Clearance Radius – Rear w/ Std. c-wt. (mm)	62.1" (1577)	64.6" (1641)	70.7" (1796)
		Maximum Rollback at Specified Height	66.8°	66.8°
	Angle of Approach	90°	90°	90°
	Grouser Height (mm)	1" (25)	1" (25)	1" (25)
CAPACITY	Operating Capacity at 35% Tipping Load (kg)	1750 lbs. (794)	2100 lbs. (953)	2500 lbs. (1134)
	Operating Capacity at 50% Tipping Load (kg)	2500 lbs. (1134)	3000 lbs. (1361)	3571 lbs. (1620)
	Tipping Load (kg)	5000 lbs. (2268)	6000 lbs. (2722)	7143 lbs. (3240)
	Operating Weight (kg)	8605 lbs. (3903)	9890 lbs. (4486)	11,595 lbs. (5259)
ENGINE	Make/Model	Yanmar / 4TNV98C-NMSL / Tier IV	Yanmar / 4TNV98CT-NMSL / Tier IV	Deutz / TD 3.6 Tier IV
	Type	4-Stroke Naturally Aspirated	4-Stroke Turbo	4-Stroke Turbo
	Displacement (L) / cylinders	203 cu.in. (3.3) / 4	203 cu.in. (3.3) / 4	221 cu.in. (3.6) / 4
	Gross Horsepower (kW) @ rpm	69.9 hp (52.1) @ 2500	72 hp (53.7) @ 2500	74.3 (55.4) @ 2300
	Net Horsepower (kW) @ rpm	68.4 hp (51) @ 2500	70.7 hp (52.7) @ 2500	N/A
	Peak Torque (Nm) @ rpm	179 ft.-lbs. (242.7) @ 1600	217 ft.-lbs. (294) @ 1625	243 ft.-lbs. (330) @ 1500
	Oil Pump Capacity (L)	11 qts. (10.4)	11 qts. (10.4)	9 qts. (8.5)
	Alternator Voltage/Amperage	14V / 95A	14V / 95A	14V / 95A
TRACK DRIVES	Drawbar Pull / Tractive Effort (kg)	11,840 lbs. (5371)	12,359 lbs. (5606)	14,317 lbs. (6494)
	Track Type / Track Rollers / Roller Type	Rubber / 4 / Steel	Rubber / 5 / Steel	Rubber / 5 / Steel
	Track Width (mm)	12.6" (320)	17.7" (450)	17.7" (450)
	Ground Pressure (bar)	6.2 psi (0.43)	4.7 psi (0.32)	5.3 psi (0.37)
FORCES	Bucket Breakout – Tilt Cylinder (kg)	5189 lbs. (2354)	5492 lbs. (2491)	6294 lbs. (3127)
	Bucket Breakout – Lift Cylinder (kg)	4840 lbs. (2195)	5398 lbs. (2449)	6786 lbs. (3078)
	Ground Speed – Single Speed (km/hr)	5.1 mph (8.2)	5.4 mph (8.7)	5.4 mph (8.7)
	Ground Speed – Two Speed (km/hr)	7.5 mph (12.1)	7.9 mph (12.7)	7.9 mph (12.7)
VOLUME	Fuel Tank (L)	24 gal. (91)	24 gal. (91)	24 gal. (91)
	Hydraulic Reservoir Tank (L)	11.0 gal. (41.6)	13.8 gal. (52.2)	13.8 gal. (52.2)
	Coolant Capacity (L)	3.5 gal. (13.3)	3.8 gal. (14.4)	5.1 gal. (19.3)
HYDRAULICS	Auxiliary Hydraulic Flow – Rated Speed (L/min)	18.5 gpm (70.0)	21.8 gpm (82.5)	24.9 gpm (94.3)
	High-Flow Hydraulic Flow – Rated Speed (L/min)	34.0 gpm (128.8)	35.9 gpm (135.8)	37.4 gpm (141.6)
	Transmission Pump Type	Axial Piston	Axial Piston	Axial Piston
	Motor Type	Axial Piston with Planetary Gear Box Reduction		
	Battery Volts	12V	12V	12V
	Cold Cranking Amps at Temperature	850 CCA @ 0°F (-18°C)	850 CCA @ 0°F (-18°C)	950 CCA @ 0°F (-18°C)

ORIGINAL WORKHORSE

Mustang authorized dealers offer a full line of compact equipment, backed up by exceptional sales, service and parts support. To find your nearest authorized Mustang dealer, visit the Dealer Locator on mustangmfg.com

REFERENCE DIAGRAMS



For more information on the RT Series Track Loaders and the rest of the Mustang equipment line, call our hotline at

1-800-628-0491

or visit mustangmfg.com



West Bend, WI 53095 U.S.A.

Tel: 262-334-9461

Fax: 262-338-7517



Mustang Mfg

Mustang reserves the right to make changes in specifications at any time without notice or obligation.

© 2013 Manitou Americas, Inc. Mustang. All rights reserved. Printed in the U.S.A.
A Manitou Group Brand