

# SNO\*MELTER SYSTEMS®

## Cable Kits and Mats Installation Instructions

---

### CONTENTS

Warning	2
Description	2
Planning	3
Caution	4
General Installation	6
Installation in Concrete	7
Installation in Concrete Steps	8
Installation in Asphalt and Under Pavers	9
Connections and Maintenance	11
Maximum UL Ratings	12
Limited Warranty and Liability	13
<b>Français</b>	<b>14</b>
<b>Español</b>	<b>27</b>

**EASYHEAT®**

US T. (800) 537-4732  
CAN T. (800) 794-3766

©2013 EasyHeat

[www.easyheat.com](http://www.easyheat.com)

  
**EMERSON**  
Industrial Automation

11001-128 Rev. 10

## ▲ WARNING

- Read and follow all instructions carefully.
- Failure to follow instructions will cause the cable to overheat and could result in fire or electrical shock. As with all electrical apparatus, misuse or damage during installation or operation could cause a potentially hazardous situation.
- The heating cable portion of the assembly cannot be altered in length. Physical injury or fire may result, if altered.
- The cold lead portions of the assembly can be cut to suit the location of the electrical connection box.
- NEVER allow the heating cables to touch, cross or overlap each other at any point. NEVER allow the heating cable to touch, cross or overlap itself. This will cause the heating cable to overheat and could result in fire or electrical shock.
- Do not allow cables to kink or twist while installing.
- Minimum installation temperature is 0°C (32°F).
- Use a ground fault protection device for all installations in accordance with national and local electrical codes. Consult your local inspector for specific requirements.
- Do not energize Sno\*Melter Systems to accelerate the curing of concrete.
- Sno\*Melter mats can be installed in asphalt. Asphalt must be delivered to the job site at a temperature less than 170°C (340°F). Higher temperatures will damage cable and result in failure.
- Sno\*Melter Cable Kits cannot be installed in asphalt.

## DESCRIPTION

EasyHeat Sno\*Melter Systems are designed to eliminate snow and ice on contact in outdoor locations. The systems are designed to be installed in sand under pavers or completely embedded in concrete or asphalt surfaces. The intended installations are residential and light commercial sidewalks, patios, driveways, parking ramps, steps, etc. For heavier duty commercial applications, please consult with EasyHeat.

Sno\*Melter Systems contain an electrical heating element designed to provide a fixed amount of heat. Sno\*Melter Systems are embedded at the same time as the surface covering is installed. Some control and accessory devices may also require installation at this same time. When connected to appropriate system voltage, and when a system control (optional) detects the presence of ice or snow, the system is energized. Heat from the system increases the surface temperature of the pavement to above freezing, melting snow or ice on the surface. When controlled by EasyHeat controls, the system provides economical and reliable snow and ice melting performance.

Sno\*Melter Mats are comprised of a single length of heating cable formed into a predetermined shape and secured in this shape by polymer carrier strands fused to the cable. Cold leads are factory connected to the mat and are available in various lengths to suit the location of electrical connection boxes. Sno\*Melter Mats are available in both standard rectangular sets and custom sizes (length, width, power, voltage, etc.).

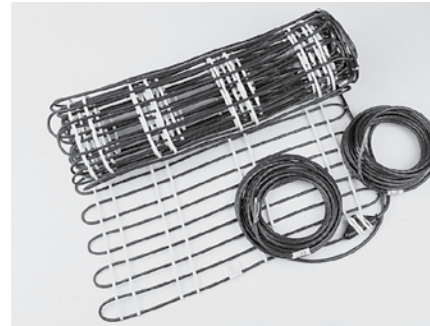


Figure 1 Standard Mat Design

Sno\*Melter Cable Kits, comprised of a single heating cable and set of wire-ties, are easy to use in almost any surface shape. "Low Pressure" wire ties are provided with the kit for the attachment of heating cable to the welded wire mesh or rebar. Cold leads are factory connected to the cable.

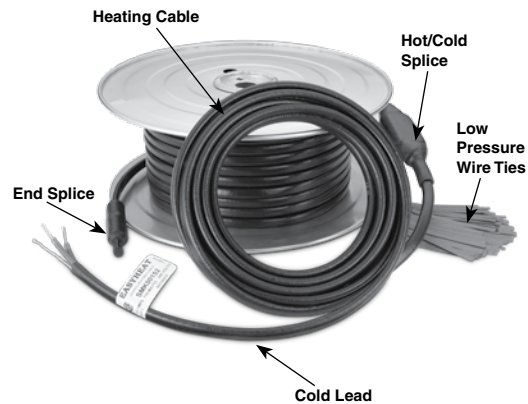


Figure 2 Cable Kit

# PLANNING

## P1. Information

Each installation must have a Sno\*Melter Layout Plan and a Sno\*Melter Wiring Plan prior to beginning the installation. This information will ensure that all necessary cables/mats are available at the site prior to the installation of surface covering and that they correspond to the installation requirements (shape, voltage, amperage, area covered).

## P2. Sno\*Melter Layout Plan

The Sno\*Melter Layout Plan must be designed to cover the area to be protected, and allowance must be made for obstructions, such as light poles, expansion joints, control joints, etc. In some cases, such obstructions can be accommodated by modifying mat shape. See "Mat Shape Alterations."

Cables/mats must not be placed under areas to be drilled in the future for fastening of surface mounted structures, such as hand railings. Cables/mats must be laid in accordance with the Sno\*Melter Layout Plan; this plan must be available at the job site. The layout plan must clearly identify the following:

- Location and tag number of each cable/mat
- Routing of cold leads for each cable/mat
- Location of all junction boxes
- Routing of all conduit
- Location of all controls/sensors
- Location of all drains, pipes, and similar obstructions
- Expansion and control joints
- Areas which may be drilled in the future for fastening of surface mounted structures, such as hand railings, signs, bollards, parking bumpers, etc.

## P3. Sno\*Melter Wiring Plan

The Sno\*Melter Wiring Plan must clearly identify the following:

- Connection details of heat cables/mats, controls/sensors and power supply
- Identification of each cable/mat, control/sensor, junction box, etc.
- Branch circuit ratings (voltage, amperage)
- Upon completion of Sno\*Melter system installation and before surface completion, the Sno\*Melter Layout Plan and the Sno\*Melter Wiring Plan must be modified to reflect the as-built conditions. A photographic record of the as-built conditions is recommended.

## P4. Layout

Mats/cables must be laid in accordance with

the Sno\*Melter Layout Plan to which they were manufactured; this plan must be available at the job site. Mats/cables must not touch or overlap. Mats/cables must not be placed under areas to be drilled in the future for fastening of surface mounted structures, such as hand railings.

For concrete installations: Identify location for expansion and control joints.

## P5. Control/Expansion Joints

Control joints are typically indentations in a concrete surface along which cracks are intended to form. The indentations may be formed by special trowel prior to hardening of the concrete, or by cutting with a special concrete saw after concrete has set. Ideally, mats/cables should not be positioned through control joints to avoid stress on mat due to cracking/movements of joint areas. If necessary, mats/cables may be positioned through control joints, but movement of concrete sections in excess of 3.2 mm (1/8") could damage the mats/cables, see Figure 3 for details.

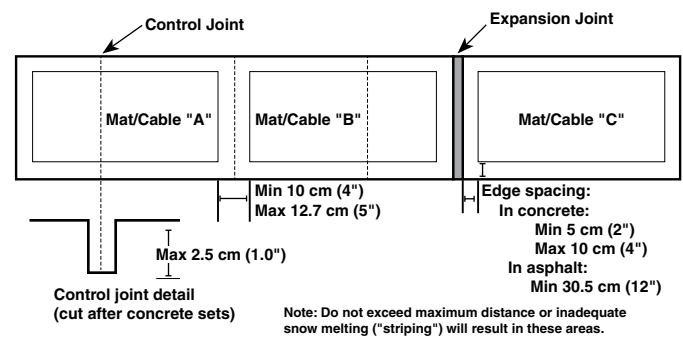


Figure 3 Sno\*Melter Mats/Cables Through Control/Expansion Joints

We recommend using **WELDED WIRE MESH OR REBAR FOR REINFORCEMENT** of the concrete to prevent significant movement of adjacent concrete at the control joint. In case of unintentional shifting of mats/cables during pour, control joints must be carefully sawn above cables to ensure that cable heater cable is not damaged by the saw. Please see Figure 3.

Expansion joints are, typically, formal separations between sections of concrete, with some flexible material forming the separation which then absorbs any thermal expansion in the concrete section. Movement of adjacent sections could damage a cable crossing an expansion joint; hence, mats/cables must not be routed through expansion joints, see Figure 3.

It is critical that the base material below the concrete surface be properly installed such as to prevent movement of the finished surface, which could result in system failure.

## P6. Junction Box - Conduit Preparation and Wiring

Appropriate wiring of all Sno\*Melter Systems must be completed according to the Sno\*Melter Wiring Plan. Conduit must be used to protect the non-heating cold leads at the exit from the installation area to the junction boxes. All necessary conduit and other wiring devices to be installed within the surface must be available prior to beginning Sno\*Melter mats/cables surface installation.

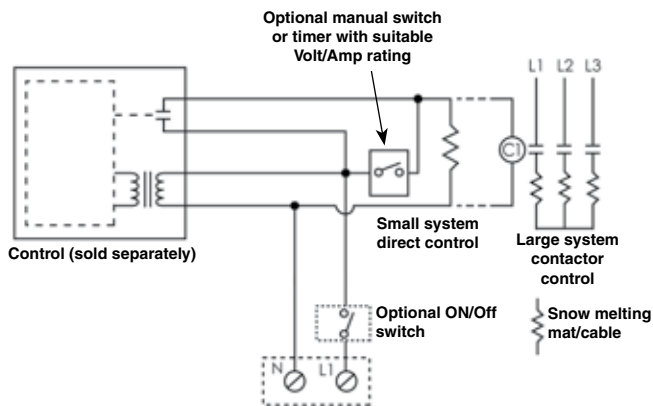


Figure 4 Sno\*Melter Systems Typical Wiring Diagram

In most cases the ideal location for junction boxes is indoors with at least 450mm (18") of accessible cable leads within the box. When planning the location of the junction boxes it is important that at least 300mm (one foot) of cable cold lead remains embedded in the surface. Junction boxes and conduit should be located so that they can accommodate the

maximum number of cable leads expected to be routed to/through them. An insulating bushing must be used to protect the cold lead where it enters conduit. Junction boxes should always be located above grade to prevent water from entering cables; junction boxes below grade may need to be potted, and their location identified above grade.

Controls/wiring must be installed according to the Sno\*Melter Layout Plan and Sno\*Melter Wiring Plan. (Some controls include devices required to be installed in the heated surface). All wiring must conform to relevant local electrical codes. If Sno\*Melter mats/cables are controlled simply by manual electrical switches, it is recommended that a pilot lamp be installed on the load side of each switch so that there is a visual indication when Sno\*Melter Systems are energized.

## P7. Identification

Electrical panels and controls must be identified as to their snow melting function. Snow melting areas must be identified by clearly visible signs or marking. Identification nameplates are available from EasyHeat (Part Number NMPLT); contact EasyHeat for details.

## P8. Thermal Insulation

Thermal insulation, such as rigid foam board, will improve the performance and reduce energy cost of Sno\*Melter Systems. Ensure insulation is suitable for the surface installation process and future conditions to which it will be exposed. Due to lower placement depth generally associated with paver installations, thermal insulation is recommended. Thermal insulation is optional for concrete and asphalt installations.

## CAUTION

- All installations must conform to all applicable electrical codes, the Paver Manufacturer's Instructions, the Guidelines of the Interlocking Concrete Pavement Institute (ICPI), Tech Spec Number 12, and with all applicable national and local building codes, regulations and inspection procedures. Electrical inspection may be required during and/or after system installation. Check with your local electrical inspector for specific requirements.
- All cold lead wires of all mats/cables contain identification labels when shipped from the factory. This identification must be maintained within all connection boxes to ensure ease of identification of individual mats/cables at any time in the future.
- DO NOT operate Sno\*Melter Systems in summer weather. Ensure that appropriate controls are energized and operational prior to winter season. Operate Sno\*Melter Systems only as required to melt snow and ice.
- Extreme care must be used when machinery such as wheelbarrows, rollers, front-end loaders, tractors, paving machines, etc., is involved in the installation of Sno\*Melter Systems. Such machinery must not have cleats or metal tracking of any

---

## CAUTION *(continued)*

type. Cleats/tracking can sink into concrete/asphalt and contact the cable, possibly causing damage.

- The use of sharp implements, such as rakes, shovels, etc., is usually required during surface installations. However, unless care is taken, these can damage Sno\*Melter Systems cables during installation. All workers must be advised to avoid contacting the cables with such implements. If they do, the cable must be immediately checked for damage and repaired if damaged.
- Do not route wheelbarrows, rollers, trucks, etc., over uncovered Sno\*Melter Systems' cables. Workers should not walk on the cables. Cables are installed on rebar and weight on the cables is highly concentrated, damage to the cable is possible that would result in immediate or later operational failure.
- The chute clearance and concrete/asphalt delivery speed should be verified to ensure that the cables/mats are not dislodged.
- Do not use chemical compounds that may be harmful to copper or PVC.
- Sno\*Melter Systems are approved for use in wet locations. The splices made at the factory are designed and tested to be water resistant. To ensure a completely water resistant installation, it is also important that all field connections are water resistant. The use of approved exterior type junction boxes, fittings and bushings plus care in waterproofing splices will assure a reliable and troublefree electric performance.
- It is required that all products Listed by UL and CSA be properly identified. Therefore, if the leads on these cables are shortened, ensure that a minimum 150mm (6") of cold lead with the factory identification tag is retained within the junction box.
- De-energize all power circuits before installation or servicing.
- Keep ends of the cold lead and all other exposed components dry before and during installation.
- The ground braid of this heating device must be connected to a suitable grounding/earthing terminal.
- The site shall be inspected for sharp objects and burrs on the wire mesh or rebar.
- The Sno\*Melter Systems should be attached to the substructure in accordance with the spacing, bend radii, and expansion joint transition methods shown on these installation instruction.

# GENERAL INSTALLATION

## Preparation

### Excavation/Insulation

Excavate and compact surface area base material and, if applicable, install appropriate thermal insulation. Complete surface area preparation.

### Cables/Mats and Accessories verification

Before installation, the cables/mats and accessories should be verified to ensure that they correspond to the installation requirements (shape, voltage, amperage, area covered) and model number, as per the Sno\*Melter Layout Plan and the Sno\*Melter Wiring Plan.

### Wiring/Controls/Connections

Lay mat temporarily in desired position according to the Sno\*Melter Layout Plan. Install all wiring, conduit and control devices associated with the surface installation, according to the Sno\*Melter Layout Plan and Wiring Plan. Thread mat/cable cold lead wires through conduit into associated junction box. Leave sufficient slack in cold lead wires to permit handling of mats.

For Sno\*Melter Cable Kits, do not install the cables at this time. Install only all wiring, conduit and control devices associated with the surface installation, according to the Sno\*Melter Layout Plan and Sno\*Melter Wiring Plan. Do not connect power supply at this time. Conduits must extend into surface to ensure no wiring is exposed.

Position all control/sensors to be installed within the surface and connect all wiring/conduit. Provide appropriate protection for these devices during surface installation. Provide protection for any controls which may get damaged or dislocated during surfacing.

### Mat Shape Alterations

Mats may be tailored to follow contours of curves and other obstructions by making a series of cuts to the mat carrier strands as shown in Figures 5 and 6. Extreme care should be exercised to prevent cutting the mat heater wire during this operation.

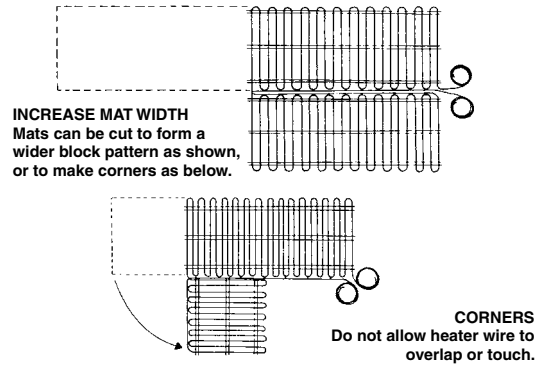


Figure 5 Mat Shape Alterations

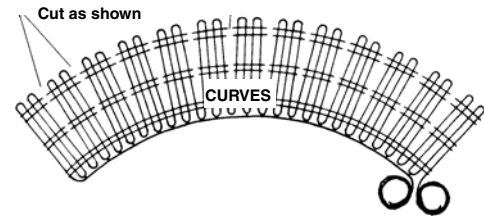


Figure 6 Curves

**M1.** Start all cuts on the side opposite the cold lead and cut carrier strands towards the cold lead side.

**M2.** To make a curve, cut carrier strands as shown in Figure 7. The number of strand cuts will depend on the mat length and surface curvature. In the same way, mat shape can be altered to form a wider block pattern or to go around an object. See illustrations. To ensure adequate heating, do not allow cable spacing at outer edge of curve to be more than twice the standard cable spacing.

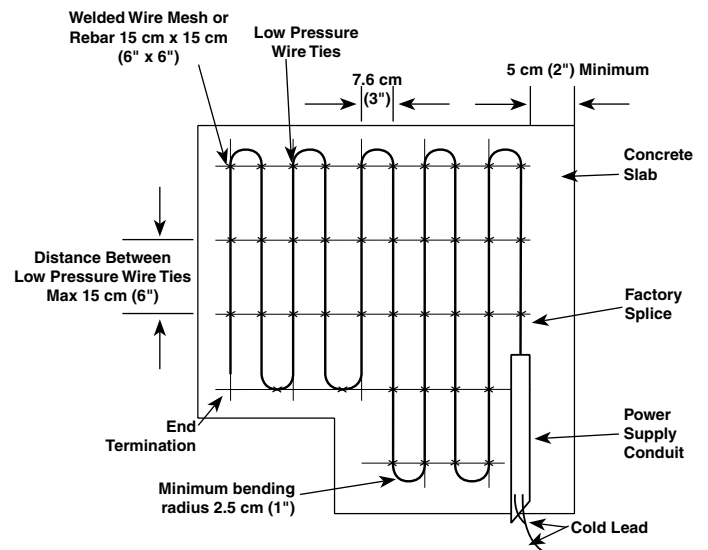


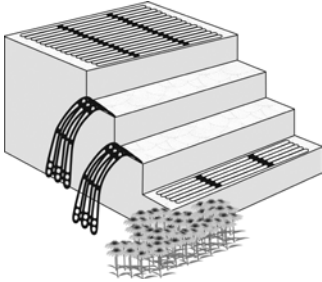
Figure 7 Cable Kit Typical Installation



# INSTALLATION IN CONCRETE

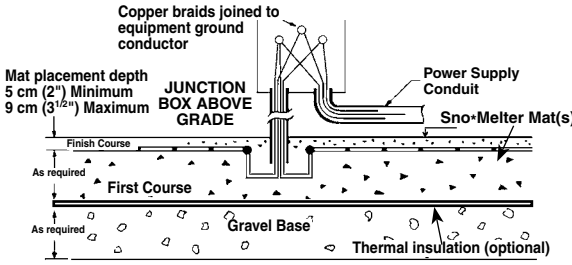
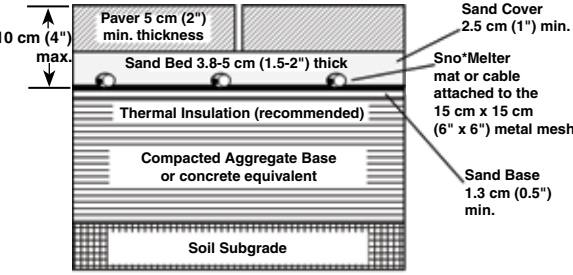
	Two Pour (Mat and Cable Systems)	One Pour (Cable Kits Only)
<b>Illustration</b>	<p><b>Figure 8 Concrete Placement Depth</b></p>	<p><b>Figure 9 Cable Installation</b></p>
<b>Caution</b>	<p>Typically, a base layer of concrete is poured and leveled, then the mats are immediately positioned, and then the remaining concrete is poured. It is also possible to allow the base layer of concrete to cure, then position the mats and complete the pour. In the case of a two-pour approach, care should be taken to ensure that the upper layer bonds to the existing concrete. The distance from the finished surface to the level at which the mats are placed is defined as the "mat placement depth." See Figure 8. Use caution such that the cables/mats are not dislodged during pour.</p>	
<b>C1A. Initial Cable Testing</b>	<p><i>Insulation Resistance Test:</i> Connect a megohmmeter between the copper grounding braid and the two conductors connected together. Set the megohmmeter at 500 V (minimum) and measure the resistance. The resistance must be 50 Megohms minimum. This test assures that the cable has not been damaged during shipment or subsequent handling.</p> <p><i>Resistance Test:</i> Connect an ohmmeter between the two conductors of the cable. Measure the resistance. Be certain that the resistance is appropriate for the marked wattage and voltage. Repeat above test for each cable used in the installation. Record readings on Installation Test Record Form included with these instructions.</p>	
<b>or</b>		
<b>C1B. Initial Mat Testing</b>	<p><i>Insulation Resistance Test:</i> Connect a megohmmeter between the copper grounding braid and the inner conductor on one lead of a mat. Ensure the other lead is isolated and the heating element is not in contact with the ground braid. Set the megohmmeter at 500 V (minimum) and measure the resistance. The resistance must be 50 Megohms minimum. This test assures that the mat has not been damaged during shipment or subsequent handling.</p> <p><i>Resistance Test:</i> Connect an ohmmeter between the inner conductors of the two leads of the mat. Measure the resistance. Be certain that the resistance is appropriate for the marked wattage and voltage. Repeat above test for each mat used in the installation. Record readings on Installation Test Record Form included with these instructions.</p>	
<b>C2. Base Pour</b>	Pour concrete to Sno*Melter placement depth. Distribute concrete such that top surface is roughly leveled.	N/A
<b>C3A. Cable Installation</b>	Install the mesh on the base pour surface.	Install the welded mesh or rebar on stand offs.
<b>or</b>		
<b>C3B. Mat Installation</b>	<p>Position in accordance with Sno*Melter Layout Plan, with all lead wires secured within the concrete and maintaining appropriate clearances to edges of forms and between adjacent mats.</p> <p>Mats must be fastened to reinforcing material. Use caution to ensure appropriate mat placement depth.</p>	N/A
<b>C4. Controls/Sensors/Electrical Wiring</b>	<p>Position all control/sensors to be installed within the surface and connect all wiring/conduit. Do not connect the power supply at this time. If necessary, provide appropriate protection for these devices during surface installation. Thread cable cold lead wires through conduit into the junction box. Install all wiring, conduit and control devices associated with the surface installation and according to the Sno*Melter Layout Plan and Sno*Melter Wiring Plan. Conduits must extend into surface to ensure no wiring is exposed. Do not connect power supply at this time. Position and secure identification nameplates.</p>	
<b>C5. Second Testing</b>	Retest Sno*Melter according to initial testing and record readings.	
<b>C6. Final Pour</b>	Complete the surface: pour and level.	
<b>C7. Final Testing</b>	Retest Sno*Melter according to initial testing and record readings.	

# INSTALLATION IN CONCRETE STEPS

	Two Pour (Mat and Cable Systems)	One Pour (Cable Kits Only)
<b>Illustration</b>	 <p><b>Figure 10 Cement Step Installation</b></p>	
<b>Caution</b>	<p>Typically, a base layer of concrete is poured and leveled, then the mats are immediately positioned, and then the remaining concrete is poured. It is also possible to allow the base layer of concrete to cure, then position the mats and complete the pour. In the case of a two-pour approach, care should be taken to ensure that the upper layer bonds to the existing concrete. The distance from the finished surface to the level at which the mats are placed is defined as the "mat placement depth." See Figure 8.</p> <p>Use caution such that the cables/mats are not dislodged during pour. Ensure cables/mats in riser portion of step embedded in concrete and maintain appropriate clearances to edges of forms and between adjacent systems. Use caution to ensure appropriate mat/cables placement depth. Allow 50mm (2") clearance to front edge of step.</p>	
<b>S1A. Initial Cable Testing</b>	<p><i>Insulation Resistance Test:</i> Connect a megohmmeter between the copper grounding braid and the two conductors connected together. Set the megohmmeter at 500 V (minimum) and measure the resistance. The resistance must be 50 Megohms minimum. This test assures that the cable has not been damaged during shipment or subsequent handling.</p> <p><i>Resistance Test:</i> Connect an ohmmeter between the two conductors of the cable. Measure the resistance. Be certain that the resistance is appropriate for the marked wattage and voltage. Repeat above test for each cable used in the installation. Record readings on Installation Test Record Form included with these instructions.</p>	
<b>or</b>		
<b>S1B. Initial Mat Testing</b>	<p><i>Insulation Resistance Test:</i> Connect a megohmmeter between the copper grounding braid and the inner conductor on one lead of a mat. Ensure the other lead is isolated and the heating element is not in contact with the ground braid. Set the megohmmeter at 500 V (minimum) and measure the resistance. The resistance must be 50 Megohms minimum. This test assures that the mat has not been damaged during shipment or subsequent handling.</p> <p><i>Resistance Test:</i> Connect an ohmmeter between the inner conductors of the two leads of the mat. Measure the resistance. Be certain that the resistance is appropriate for the marked wattage and voltage. Repeat above test for each mat used in the installation. Record readings on Installation Test Record Form included with these instructions.</p>	
<b>S2. Base Pour</b>	Pour concrete to Sno*Melter placement depth within 2 inches or 50mm of finished step surface and roughly level for all steps.	N/A
<b>S3A. Cable Installation</b>	Install the welded wire mesh or rebar on the base pour surface.	Install the welded wire mesh or rebar on standoffs.
	If necessary, bend the welded wire mesh to conform to the steps and riser position. Position the cable for the first step according with Sno*Melter Layout Plan. Lay out the cable according to the Sno*Melter Layout Plan. Use the "Low Pressure" wire ties provided with the kit to install the cables in position according to the Sno*Melter Layout Plan. The cables are installed on the welded wire mesh or rebar for each step.	
<b>or</b>		
<b>S3B. Mat Installation</b>	Position in accordance with Sno*Melter Layout Plan. Mats must be fastened to reinforcing material.	N/A
<b>S4. Controls/Sensors/Electrical Wiring</b>	Position all control/sensors to be installed within the surface and connect all wiring/conduit. Do not connect the power supply at this time. If necessary, provide appropriate protection for these devices during surface installation. Thread cable cold lead wires through conduit into the junction box. Install all wiring, conduit and control, devices associated with the surface installation and according to the Sno*Melter Layout Plan and Sno*Melter Wiring Plan. Conduits must extend into surface to ensure no wiring is exposed. Do not connect power supply at this time. Position and secure identification nameplates.	
<b>S5. Second Testing</b>	Retest Sno*Melter according to initial testing and record readings.	
<b>S6. Final Pour</b>	Complete the surface, pour and level. Repeat steps 2 through 4 for the remaining steps.	
<b>S7. Final Testing</b>	Retest Sno*Melter according to initial testing and record readings.	



# INSTALLATION IN ASPHALT AND UNDER PAVERS

	Asphalt	Pavers
<p><b>Illustration</b></p>	 <p><b>Figure 12 Mat Installation in Asphalt</b></p>	 <p><b>Figure 11 Residential Sidewalk, Driveway or Patio Installation</b></p>
<p><b>Caution</b></p>	<p>Only the Sno*Melter Mats can be installed in asphalt. Sno*Melter Cable Kits cannot be installed in asphalt. The pavement must be installed in accordance with proper construction practices, including allowance for drainage, reinforcement, etc.</p> <p>Improper pavement installations can result in unstable surfaces which can crack/move and break mat heating cables.</p> <p>Asphalt must be delivered to the job site at a temperature less than 170°C (340°F)—larger aggregate and/or higher temperatures will damage cable and result in failure. Typically, a base layer of asphalt is laid and allowed to cool, then the mats are positioned, and then the final layer of asphalt is laid. (It is also possible to lay mats on an existing layer of asphalt that is being resurfaced). The mat placement depth must be as shown in Figure 12.</p>	<p>Carefully follow the paver manufacturer's instructions and the Guidelines of the Interlocking Concrete Pavement Institute (ICPI), Tech Spec Number 12, for installing electric Sno*Melter Systems under pavers. It is highly recommended that an experienced paver contractor do the paver installation in coordination with an electrical contractor for the mat installation. Paver design and installation varies with local climate, materials, soil conditions including drainage, and expected use loads.</p> <p>Do not install the Sno*Melter cable/mat within any material that will be compacted aggregate base, as this may damage the cable and result in system failure.</p> <p>The Sno*Melter cable/mat should be positioned at the base of a sand bed. The heating cable and splice to the non-heating leads must be fully contained in the sand bed. See Figure 11.</p>
<p><b>A1A. Initial Cable Testing</b></p>	<p><i>Insulation Resistance Test:</i> Connect a megohmmeter between the copper grounding braid and the two conductors connected together. Set the megohmmeter at 500 V (minimum) and measure the resistance. The resistance must be 50 Megohms minimum. This test assures that the cable has not been damaged during shipment or subsequent handling.</p> <p><i>Resistance Test:</i> Connect an ohmmeter between the two conductors of the cable. Measure the resistance. Be certain that the resistance is appropriate for the marked wattage and voltage. Repeat above test for each cable used in the installation. Record readings on Installation Test Record Form included with these instructions.</p>	
<p>or</p>		
<p><b>A1B. Initial Mat Testing</b></p>	<p><i>Insulation Resistance Test:</i> Connect a megohmmeter between the copper grounding braid and the inner conductor on one lead of a mat. Ensure the other lead is isolated and the heating element is not in contact with the ground braid. Set the megohmmeter at 500 V (minimum) and measure the resistance. The resistance must be 50 Megohms minimum. This test assures that the mat has not been damaged during shipment or subsequent handling.</p> <p><i>Resistance Test:</i> Connect an ohmmeter between the inner conductors of the two leads of the mat. Measure the resistance. Be certain that the resistance is appropriate for the marked wattage and voltage. Repeat above test for each mat used in the installation. Record readings on Installation Test Record Form included with these instructions.</p>	
<p><b>A2. Base Preparation</b></p>	<p>Pour and roll the base layer per Figure 12. If mats are to be placed on an existing surface, make sure the surface is clean and free from any sharp material that could puncture mat's heating cable during the installation.</p>	<p>Prepare the soil and aggregate base properly. Use edge restraints to prevent loss of sand as loss of sand may result in Sno*Melter failure. Install the reinforcement metal mesh.</p>

## INSTALLATION IN ASPHALT AND UNDER PAVERS *(continued)*

<b>A3A. Cable Installation</b>	N/A	Use the "Low Pressure" wire ties provided with the kit to install the cables in position according to the Sno*Melter Layout Plan. The cables are installed on the welded wire mesh or rebar.
<b>or</b>		
<b>A3B. Mat Installation</b>	Position in accordance with Sno*Melter Layout Plan, with all lead wires secured within the form and maintaining appropriate clearances to edges of forms and between adjacent mats.	Position in accordance with Sno*Melter Layout Plan. Secure the mat to a metal mesh with nylon cable ties attached to the WHITE MAT STRANDS ONLY wherever possible. If ties must be used on the black heating cable, leave slightly loose, DO NOT fully tighten or the tie may cut into the cable and result in failure of mat in operation. Lay the mats on top of either the compacted aggregate base (patio/walkway type installation) or the concrete base (driveway type installation).
<b>A4. Controls/Sensors/Electrical Wiring</b>	Position all control/sensors to be installed within the surface and connect all wiring/conduit. Do not connect the power supply at this time. If necessary, provide appropriate protection for these devices during surface installation. Thread cable cold lead wires through conduit into the junction box. Install all wiring, conduit and control, devices associated with the surface installation and according to the Sno*Melter Layout Plan and Sno*Melter Wiring Plan. Conduits must extend into surface to ensure no wiring is exposed. Do not connect power supply at this time. Position and secure identification nameplates.	
<b>A5. Second Testing</b>	Retest Sno*Melter according to initial testing and record readings.	
<b>A6. Surface Completion</b>	Proceed with Top Coat. It is advisable to cover the entire mat in one continuous layer. <i>Note: Do not dump large quantities higher than 152 mm (6") of hot asphalt on the mats. The temperature may damage heater wire.</i>	Complete the paving surface.
<b>A7. Final Testing</b>	Retest Sno*Melter according to initial testing and record readings. For asphalt installations, test after the asphalt has cooled to ambient temperature.	

---

## CONNECTIONS AND MAINTENANCE

### Wiring and Identification

When the concrete has cured or the asphalt has cooled to ambient temperature, the operational connections to the controls and power supply can be completed according to the Sno\*Melter Wiring Plan. Apply warning labels "CAUTION – ELECTRIC SNOW AND ICE MELTING" to power supply and adjacent to the heated surface.

### Maintenance

A system inspection is recommended before the winter season.

- Annual insulation resistance (megohmmeter) tests will provide indication of the cable integrity. These readings should be recorded and compared annually.
- The heating performance should be verified by measuring and recording the current draw for each circuit 2 min to 5 min after energization. Slab temperature should also be recorded. As an alternative approach to verifying the heating performances, a slab section can be wetted and then monitored for uniform drying after the heater is energized.
- Major changes in insulation resistance or heater current should be resolved.
- Junction boxes should be inspected for water or evidence of previous water ingress. If moisture is present, the enclosure should be dried and the cause of ingress identified and repaired.
- Surfaces should be inspected annually for cracks, exposed cable, etc., and sealed as required with suitable cementitious or asphalt compatible material.

Should grass or weeds develop in the gaps between pavers, care must be taken when using tools to remove them or the mat/cable may be damaged. The Sno\*Melter Layout Plan and Sno\*Melter Wiring Plan must be saved for future reference.

---

**MAXIMUM UL RATINGS - APPLICABLE TO SNO\*MELTER CABLE KITS ONLY**

<b>Volts</b>	<b>Ft</b>	<b>Watts/Cable</b>	<b>Watts/Ft</b>	<b>Watts/Sq Ft</b>
120	250	3,117	12.5	46.5
240	500	6,234	12.5	48
208	435	5,382	12.5	49
265	560	6,786	12.5	50
277	580	7,159	12.7	49
347	925	8,987	12.5	48
480	1,000	12,468	12.5	48
600	1,250	15,584	12.5	48

## LIMITED WARRANTY AND LIABILITY

EasyHeat warrants that if there are any defects in material or workmanship in any heating cable or accessory ("GOODS") during the first year after the date of purchase, unless otherwise specified by EasyHeat in writing, we will provide new products to replace any defective items, or we will refund the purchase price paid for the accessory or cable, not including any labor or other installation costs. As an alternate, we may elect to repair the cable or accessory at our factory with all shipping and other removal costs borne by the purchaser.

Our obligation to provide new products, refund the purchase price, or perform the repair described above is conditioned upon (a) the installation of the accessory or cable conforming to the directions set forth in our installation instructions and (b) the accessory or cable not having been damaged by mechanical or electrical activities unrelated to the operation of the accessory or cable.

**A refund of your purchase price, provision of replacement products or repair of the accessory or cable as described above, shall be your sole and exclusive remedy for a breach of this warranty. THESE ARE THE SOLE AND EXCLUSIVE WARRANTIES GIVEN BY EASYHEAT WITH RESPECT TO THE GOODS AND ARE IN LIEU OF AND EXCLUDE ALL OTHER WARRANTIES, EXPRESS OR IMPLIED, ARISING BY OPERATION OF LAW OR OTHERWISE, INCLUDING WITHOUT LIMITATION, MERCHANTABILITY AND FITNESS FOR A PARTICULAR PURPOSE WHETHER OR NOT THE PURPOSE OR USE HAS BEEN DISCLOSED TO EASYHEAT IN SPECIFICATIONS, DRAWINGS OR OTHERWISE, AND WHETHER OR NOT EASYHEAT'S PRODUCTS ARE SPECIFICALLY DESIGNED AND/OR MANUFACTURED BY EASYHEAT FOR YOUR USE OR PURPOSE.**

This warranty does not extend to any losses or damages due to misuse, accident, abuse, neglect, normal wear and tear, negligence, unauthorized modification or alteration, use beyond rate capacity, or improper installation, maintenance or application. To the extent that you or your agents have supplied specifications, information, representation of operating conditions or other data to EasyHeat in the selection or design of the Goods and the preparation of EasyHeat's quotation, and in the event that actual operating conditions or other conditions differ from those represented by you, any warranties or other provisions contained herein which are affected by such conditions shall be null and void.

If within thirty (30) days after your discovery of any warranty defects within the warranty period, you notify EasyHeat thereof in writing, EasyHeat shall, at its option, repair or replace F.O.B. point of manufacture, or refund the purchase price for, that portion of the Goods found by EasyHeat to be defective. Failure by you to give such written notice within the applicable time period shall be deemed an absolute and unconditional waiver of your claim for such defects. Goods repaired or replaced during the warranty period shall be covered by the foregoing warranty for the remainder of the original warranty period or ninety (90) days from the date of shipment of the repaired or replaced goods, whichever is longer.

**This limited warranty does not cover any costs relating to the repair or replacement of any accessory or cable at the installation site.** Our accessories and cables are not easily accessible. A failed accessory or cable usually cannot be easily repaired. Replacement of a failed accessory or cable will require that the materials under which it is installed be removed to permit replacement of the accessory or cable. **We will not reimburse any costs relating to the repair or replacement of any accessory or cable at the installation site.**

**IN NO EVENT, REGARDLESS OF THE FORM OF THE CLAIM OR CAUSE OF ACTION (WHETHER BASED IN CONTRACT, INFRINGEMENT, NEGLIGENCE, STRICT LIABILITY, OTHER TORT OR OTHERWISE), SHALL EASYHEAT'S LIABILITY TO YOU AND/OR YOUR CUSTOMERS EXCEED THE PRICE PAID BY YOU FOR THE SPECIFIC GOODS PROVIDED BY EASYHEAT GIVING RISE TO THE CLAIM OR CAUSE OF ACTION. YOU AGREE THAT WE SHALL NOT BE LIABLE TO YOU OR YOUR CUSTOMERS FOR ANY INCIDENTAL, SPECIAL OR CONSEQUENTIAL OR PUNITIVE DAMAGES. No agent, employee or representative of ours has authority to bind us to any affirmation, representation or warranty concerning the goods sold unless such affirmation, representation or warranty is specifically incorporated by written agreement.**

To obtain new products, arrange repair of existing product, or a refund under this warranty, please contact EasyHeat with a description of the defect and proof of purchase at the address noted herein.

**USA:**  
EASYHEAT, INC.  
c/o EGS Electrical Group LLC  
2 Connecticut South Drive,  
East Granby, CT 06026  
800-537-4732

**Canada:**  
EASYHEAT, LTD.  
  
99 Union Street  
Elmira, ON N3B 3L7  
800-794-3766



# SYSTÈMES SNO\*MELTER®

## Kits câble et trames – Instructions d'installation

---

### SOMMAIRE

Mises en garde	15
Description	15
Planification	16
Précautions	17
Procédures générales d'installation	19
Installation dans du béton	20
Installation dans des marches en béton	21
Installation dans de l'asphalte et sous des pavés	22
Connexions et maintenance	24
Évaluations UL maximales	25
Garantie et responsabilité limitées	26

## ▲ MISE EN GARDE

- Lisez et suivez attentivement toutes les instructions.
  - Le non-respect des instructions entraînera la surchauffe du câble chauffant et pourrait provoquer un incendie ou un choc électrique. Comme pour tout appareil électrique, un usage inadéquat ou des dommages pendant l'installation ou l'utilisation peuvent engendrer une situation potentiellement dangereuse.
  - La partie câble chauffant de l'ensemble ne peut pas être modifiée en longueur. Toute modification peut entraîner des risques de blessure et d'incendie.
  - La liaison froide peut être coupée pour en adapter la longueur à l'emplacement du boîtier de raccordement électrique.
  - Le câble chauffant ne doit JAMAIS entrer en contact avec lui-même, ni se croiser ou se chevaucher. Les câbles adjacents ne doivent JAMAIS entrer en contact, ni se croiser ou se chevaucher. Cela entraînerait la surchauffe du câble chauffant et pourrait provoquer un incendie ou un choc électrique.
  - Ne laissez pas les câbles s'entortiller ou s'enrouler lors de l'installation.
- La température d'installation minimale est de 0 °C (32 °F).
  - Utilisez un dispositif de protection contre les fuites à la terre pour toutes les installations, conformément aux codes électriques nationaux et locaux. Consultez votre service local d'inspection électrique pour les exigences spécifiques en la matière.
  - Ne mettez pas les systèmes Sno\*Melter sous tension afin d'accélérer le processus de durcissement du béton.
  - Les trames Sno\*Melter peuvent être installées dans l'asphalte. L'asphalte doit être livré au chantier à une température inférieure à 170 °C (340 °F). Une température plus élevée endommagerait les câbles et provoquerait une défaillance du système.
  - Il n'est pas possible d'installer les kits câble Sno\*Melter dans l'asphalte.

## DESCRIPTION

Les systèmes EasyHeat Sno\*Melter sont conçus pour éliminer la neige et la glace en extérieur.

Ces systèmes sont conçus pour être installés sous des pavés dans du sable, ou intégrés totalement dans des revêtements en béton ou en asphalte. L'installation est prévue sur les trottoirs, terrasses, voies d'accès, rampes de stationnement, escaliers, etc., à usage modéré. Pour les applications commerciales plus intensives, veuillez consulter EasyHeat.

Les systèmes Sno\*Melter contiennent un élément chauffant électrique conçu pour fournir une quantité fixe de chaleur. Les systèmes Sno\*Melter sont intégrés au cours de l'installation de la couverture de surface. Il est possible que certains dispositifs de contrôle et accessoires doivent également être installés en même temps. Lorsqu'ils sont raccordés à la tension système appropriée, et lorsqu'un contrôle système (en option) détecte la présence de glace ou de neige, le système est mis sous tension. La chaleur du système augmente la température de la surface de la chaussée au-delà du point de congélation, faisant ainsi fondre la neige ou la glace en surface. Lorsqu'il est commandé par des contrôles EasyHeat, le système fournit des performances économiques et fiables pour la fonte de la neige et de la glace.

Les trames Sno\*Melter Mats sont composées d'un câble chauffant de longueur spécifique et de forme prédéterminée maintenu dans sa forme par des brins de support polymères fusionnés au câble. Les conducteurs froids sont connectés d'origine à la trame et sont proposés dans diverses longueurs pour s'adapter à l'emplacement des boîtes de jonction électriques. Les trames Sno\*Melter sont proposées dans des ensembles rectangulaires standard et des tailles personnalisées (longueur, largeur, courant, tension, etc.).

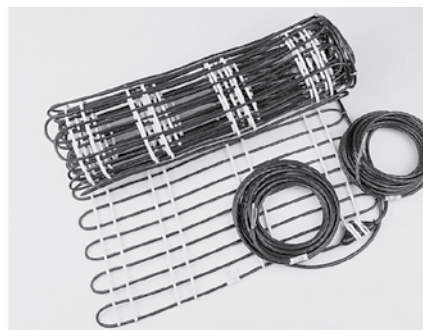


Figure 1 Conception de trame standard

Les kits câble Sno\*Melter, composés d'un câble chauffant et d'un ensemble de fils d'attache, sont faciles à utiliser dans quasiment n'importe quelle forme de surface. Des fils d'attache « basse pression » sont fournis avec le kit pour l'installation du câble chauffant sur le treillis métallique soudé (l'armature). Des conducteurs froids sont connectés d'origine aux câbles.

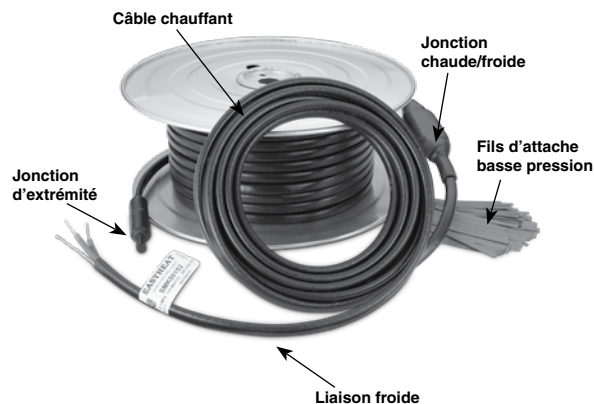


Figure 2 Kit câble

# PLANIFICATION

## P1. Informations

Chaque installation doit avoir un plan d'implantation Sno\*Melter et un plan de câblage Sno\*Melter avant de pouvoir démarrer. Ces informations permettent de s'assurer que tous les câbles/trames sont disponibles sur le site avant l'installation de la couverture de surface et qu'ils correspondent aux conditions d'installation (forme, tension, ampérage, surface de couverture).

## P2. Plan d'implantation Sno\*Melter

Le plan d'implantation Sno\*Melter doit être conçu pour couvrir toute la zone à protéger, et doit prendre en compte d'éventuelles obstructions, par exemple des poteaux d'éclairage, des joints de dilatation, des joints de rupture, etc. Dans certains cas, de telles obstructions peuvent être prises en compte en modifiant la forme de la trame. Voir la section « Modifications de la forme de la trame ».

Les câbles/trames ne doivent pas être placés sous des zones devant être ultérieurement forcées pour la fixation de structures montées en surface, par exemple des rampes. Les câbles/trames doivent être disposés conformément au plan d'implantation Sno\*Melter; ce plan doit être disponible sur le chantier. Le plan d'implantation doit clairement identifier les aspects suivants :

- Emplacement et numéro de référence de chaque câble/trame
- Acheminement des conducteurs froids pour chaque câble/trame
- Emplacement de toutes les boîtes de jonction
- Acheminement de tous les conduits
- Emplacement de tous les contrôles/capteurs
- Emplacement de toutes les canalisations d'évacuation, tuyaux et autres obstructions similaires
- Joints de dilatation et de rupture
- Zones pouvant éventuellement être forcées ultérieurement pour l'installation des structures montées en surface, par exemple des rampes, des enseignes, des bornes, des butoirs de parking, etc.

## P3. Plan de câblage Sno\*Melter

Le plan de câblage Sno\*Melter doit clairement identifier les aspects suivants :

- Détail de connexion des câbles/trames chauffants, contrôles/capteurs et alimentation
- Identification de chaque câble/trame, contrôle/capteur, boîte de jonction, etc.
- Valeurs nominales du circuit de dérivation (tension, intensité de courant).
- Après l'installation du système Sno\*Melter et avant la pose de la surface, le plan d'implantation Sno\*Melter et le plan de câblage Sno\*Melter doivent être modifiés pour refléter les conditions réelles de construction. Il est recommandé de réaliser un dossier photographique des conditions actuelles au moment de la construction.

## P4. Disposition

Les trames/câbles doivent être disposés conformément au plan d'implantation Sno\*Melter en fonction duquel ils ont été fabriqués; ce plan doit être disponible sur le chantier. Les trames/câbles ne doivent pas se toucher ou se chevaucher. Les câbles/trames ne doivent pas être placés sous des zones devant être ultérieurement forcées pour l'installation de structures montées en surface, comme par exemple des rampes.

Pour les installations en béton : Identifiez l'emplacement des joints de dilatation et de rupture.

## P5. Joints de rupture/dilatation

Les joints de rupture sont généralement des rainures dans une surface de béton le long desquelles des fissures sont susceptibles de se former. Les rainures peuvent être formées par une truelle spéciale avant le durcissement du béton, ou par une découpe au moyen d'une scie à béton spéciale après durcissement du béton. Idéalement, les trames/câbles ne doivent pas traverser des joints de rupture afin d'éviter les contraintes sur trames par craquellement/mouvement des joints. Si nécessaire, les trames/câbles peuvent être positionnés au travers des joints de rupture, mais les mouvements des sections en béton supérieures à 3.2 mm (1/8 pouce) pourraient endommager les trames/câbles (voir Figure 3 pour plus de détails).

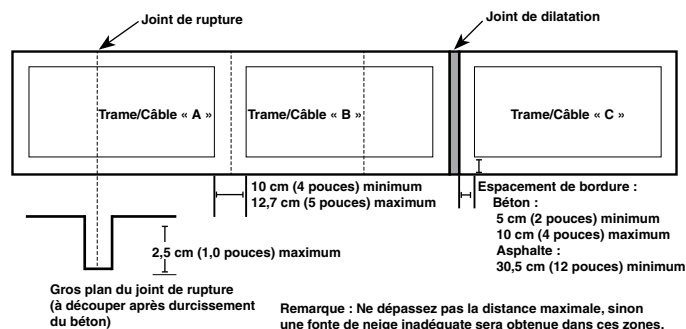


Figure 3 Trames/câbles Sno\*Melter passant au travers de joints de rupture/dilatation

Nous recommandons l'utilisation d'un **RENFORT DE TREILLIS MÉTALLIQUE (ARMATURE)** pour béton afin d'éviter tout mouvement significatif du béton à proximité des joints de rupture. En cas de déplacement imprévu des trames/câbles pendant la coulée, les joints de rupture doivent être sciés soigneusement au-dessus des câbles pour éviter que la scie n'endommage le câble chauffant. Voir la Figure 3.

Les joints de dilatation constituent généralement des séparations structurelles entre sections de béton, incluant notamment un matériau flexible formant la séparation qui absorbe toute expansion thermique dans la section de béton. Le déplacement de sections adjacentes pourrait endommager un câble traversant un joint de dilatation; par conséquent, les câbles/trames ne doivent pas être acheminés à travers des joints de dilatation (voir la Figure 3).

Il est crucial que le matériau de substrat au-dessous de la surface en béton soit correctement installé afin d'éviter tout mouvement de la surface finie qui pourrait entraîner la défaillance du système.

## P6. Boîte de jonction – Préparation du conduit et câblage

Un câblage approprié de tous les systèmes Sno\*Melter doit être effectué conformément au plan de câblage Sno\*Melter. Du conduit doit être utilisé pour protéger les liaisons froides non chauffantes à la sortie de la zone d'installation vers les boîtes de jonction. Tous les conduits et autres dispositifs de câblage à installer dans la surface doivent être disponibles avant de commencer l'installation des trames/câbles Sno\*Melter dans la surface.

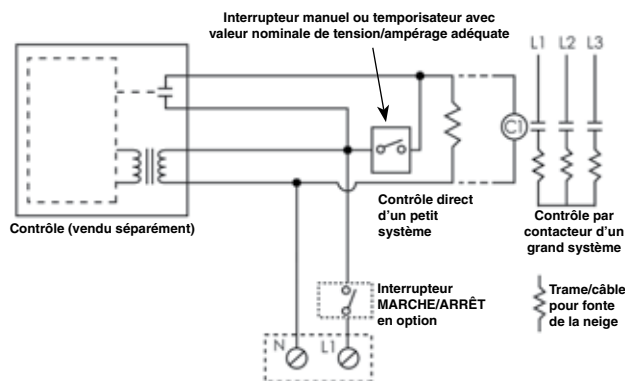


Figure 4 Schéma de câblage typique des systèmes Sno\*Melter

Dans la plupart des cas, les boîtes de jonction sont installées à l'intérieur avec au moins 450 mm (18 pouces) de liaison froide accessible dans la boîte. Lors de la planification de l'emplacement des boîtes de jonction, il est important qu'au moins 300 mm (un pied) de conducteur de câble froid reste intégré dans la surface. Les boîtes de jonction et les conduits doivent être positionnés de manière à permettre l'acheminement du nombre maximal de conducteurs de câble prévu. Des douilles d'isolement doivent être utilisées pour protéger le conducteur froid lorsqu'il entre dans le conduit. Les boîtes de jonctions doivent toujours se trouver au-dessus du niveau du sol pour prévenir l'entrée d'eau dans les câbles; les boîtes de jonction se situant sous le niveau du sol devront éventuellement être scellées, et leur emplacement identifié au-dessus du niveau du sol.

## ATTENTION

- Toutes les installations doivent être conformes aux codes électriques applicables ainsi qu'aux instructions du fabricant des pavés et aux directives de l'institut ICPI (Interlocking Concrete Pavement Institute), spécification technique numéro 12, et tous les codes, réglementations et procédures d'inspection et de construction locaux et nationaux. L'inspection du système par un électricien peut être nécessaire avant, pendant ou après l'installation. Consultez votre service local d'inspection électrique pour les exigences spécifiques en la matière.
- Toutes les liaisons froides de toutes les trames et tous les câbles contiennent des étiquettes d'identification qui sont expédiées de l'usine. Cette identification doit être maintenue dans tous les boîtiers de raccordement pour simplifier l'identification ultérieure des trames/câbles individuels.
- N'utilisez PAS les systèmes Sno\*Melter pendant la saison estivale.

Les contrôles/câblage doivent être installés conformément au plan d'implantation Sno\*Melter et au plan de câblage Sno\*Melter. (Certains contrôles incluent des dispositifs devant être installés dans la surface chauffée.) Tout le câblage doit être conforme aux codes électriques locaux applicables. Si les trames/câbles Sno\*Melter sont contrôlés par des interrupteurs électriques manuels, il est recommandé qu'une lampe témoin soit installée du côté charge pour chaque interrupteur afin qu'une indication visuelle confirme la mise sous tension des systèmes Sno\*Melter.

## P7. Identification

Les panneaux et contrôles électriques doivent être identifiés selon leur fonction correspondante dans le système de fonte de neige. Les zones de fonte de neige doivent être identifiées par des signes ou un marquage nettement visibles. Des plaques signalétiques d'identification sont disponibles auprès d'EasyHeat (référence NMPLT); contactez EasyHeat pour plus de détails.

## P8. Isolation thermique

L'emploi d'isolants thermiques (panneaux de mousse rigides, par exemple) améliorera la performance et réduira les coûts énergétiques des systèmes Sno\*Melter. Vérifiez que l'isolant retenu convient à la procédure d'installation de surface et aux conditions auxquelles il sera soumis ultérieurement. En raison de la profondeur de placement généralement plus grande sous des pavés, il est recommandé d'utiliser un isolant thermique. L'isolation thermique est optionnelle pour les installations dans de l'asphalte ou du béton.

- Vérifiez l'activation et le fonctionnement des contrôles appropriés avant le début de la saison hivernale. Utilisez les systèmes Sno\*Melter uniquement de la manière prescrite pour faire fondre la neige et la glace.
- D'extrêmes précautions doivent être prises lorsque des outils comme des brouettes, des rouleaux, des chariots élévateurs frontaux, des tracteurs, des bétonnières, etc., sont utilisés lors de l'installation de systèmes Sno\*Melter. De tels outils ne doivent pas comporter de crampons ou de chenilles métalliques, quels qu'ils soient. Les crampons/chenilles risquent de s'enfoncer dans le béton ou l'asphalte et de contacter le câble, causant ainsi des dommages.
  - L'emploi d'outils tranchants, comme des râpeaux, des pelles, etc., est généralement nécessaire pendant la pose des surfaces. Cependant, si des mesures de précaution ne sont pas prises,

## ATTENTION *(suite)*

ces outils peuvent endommager les câbles des systèmes Sno\*Melter pendant l'installation. Rappelez aux opérateurs d'éviter tout contact de ces outils avec les câbles. En cas de contact, le câble doit immédiatement être inspecté à la recherche de dommages, et réparé en cas de dommages.

- Évitez de faire passer des brouettes, rouleaux, camions, etc. au-dessus des câbles de systèmes Sno\*Melter non recouverts. Les opérateurs ne doivent pas marcher sur les câbles. Les câbles sont installés sur l'armature et le poids est fortement concentré sur les câbles, ceux-ci sont donc largement exposés à des dommages pouvant entraîner une défaillance opérationnelle immédiate ou ultérieure.
- La hauteur de déversement et le débit de béton/asphalte doivent être vérifiés pour garantir que les câbles/trames ne sont pas délogés.
- N'utilisez pas de produits chimiques qui pourraient endommager le cuivre ou le PVC (polychlorure de vinyle).
- L'utilisation des systèmes Sno\*Melter en milieu humide est approuvée. Les jonctions fabriquées en usine sont conçues et testées pour être résistantes à l'eau. Pour garantir une installation parfaitement résistante à l'eau, il est également important de s'assurer que toutes les connexions du chantier sont elles aussi résistantes à l'eau. L'utilisation de boîtes de jonction, de douilles d'isolement de type extérieur approuvées, ainsi qu'une parfaite étanchéité des jonctions garantissent des performances électriques fiables et sûres.
- Tous les produits bénéficiant de l'approbation UL et CSA doivent être clairement identifiés. Par conséquent, si les conducteurs de ces câbles sont écourtés, veillez à vous assurer qu'au moins 150 mm (6 pouces) de conducteur froid portant l'étiquette d'identification d'usine soient conservés dans la boîte de jonction.
- Mettez tous les circuits électriques hors tension avant toute procédure d'installation ou d'entretien.
- Maintenez les extrémités du conducteur froid et de tous les composants exposés au sec avant et pendant l'installation.
- La tresse de mise à la terre du dispositif chauffant doit être reliée à une borne de mise à la terre adéquate.
- Le site doit être inspecté pour ne laisser aucun objet tranchant ou fragments sur le treillis métallique ou l'armature.
- Les systèmes Sno\*Melter doivent être installés sur la sous-structure conformément à l'espace, aux rayons de courbure et aux méthodes pour traverser les joints de dilatation présentées dans les présentes instructions.



# PROCÉDURES GÉNÉRALES D'INSTALLATION

## Préparation

### Excavation/isolation

Excavez et compactez le matériau de base de la zone concernée et, le cas échéant, installez une isolation thermique appropriée. Terminez la préparation de la zone concernée.

### Vérification des câbles/trames et accessoires

Avant l'installation, les câbles/trames et accessoires doivent être vérifiés pour garantir qu'ils correspondent aux exigences de l'installation (forme, voltage, ampérage, zone couverte) et que les modèles correspondent au plan d'implantation et au plan de câblage Sno\*Melter.

### Câblage/contrôles/connexions

Positionnez temporairement la trame dans la position souhaitée, conformément au plan d'implantation Sno\*Melter. Installez tout le câblage, les conduits et les dispositifs de contrôle associés à l'installation dans la surface, conformément au plan d'implantation et au plan de câblage Sno\*Melter. Introduisez les fils de conducteur froid de trame/câble par le conduit dans la boîte de jonction associée. Laissez suffisamment de mou dans les fils de conducteur froid pour permettre la manipulation des trames.

Pour les kits câble Sno\*Melter, n'installez pas les câbles à ce stade. Installez uniquement le câblage, les conduits et les dispositifs de contrôle associés à l'installation de la surface, conformément au plan d'implantation et au plan de câblage Sno\*Melter. Ne connectez pas l'alimentation maintenant. Les conduits doivent se prolonger sur la surface pour garantir qu'aucun câblage n'est exposé.

Positionnez tous les contrôles/capteurs à installer sur la surface et connectez tout le câblage et tous les conduits. Assurez une protection appropriée à ces dispositifs pendant l'installation de la surface. Fournissez une protection pour tous les contrôles pouvant être endommagés ou désassemblés pendant le surfacage.

### Modifications de la forme de la trame

Les trames peuvent être personnalisées pour suivre les contours de courbes ou de tout autre obstruction en effectuant une série de coupes aux brins porteurs comme illustré dans les figures 5 et 6. Il convient d'être extrêmement prudent afin d'éviter de couper le fil chauffant de la trame pendant cette opération.

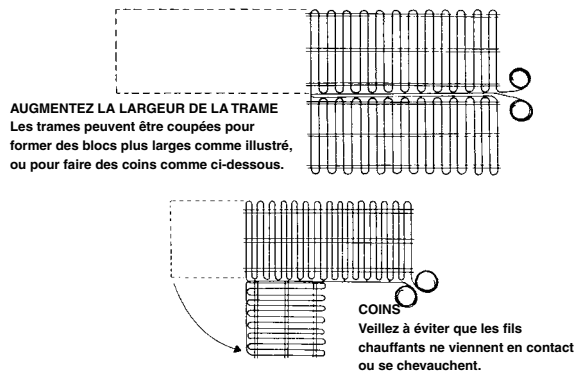


Figure 5 Modifications de la forme de la trame

Couper de la manière indiquée

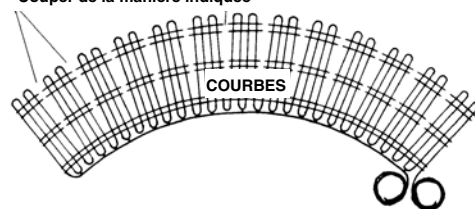


Figure 6 Courbes

**M1.** Commencez toutes les coupes du côté opposé au conducteur froid et coupez les brins porteurs vers le côté du conducteur froid.

**M2.** Pour réaliser une courbe, coupez les brins porteurs comme illustré à la figure 7. Le nombre de brins à couper dépend de la longueur de la trame et de la courbe de la surface. De la même manière, la forme de la trame peut être modifiée pour créer un bloc couvrant plus large ou pour contourner un objet. Voir les illustrations. Pour garantir un chauffage adéquat, veillez à ce que l'espacement des câbles au bord extérieur de la courbe ne soit pas supérieur à deux fois l'espacement standard des câbles.

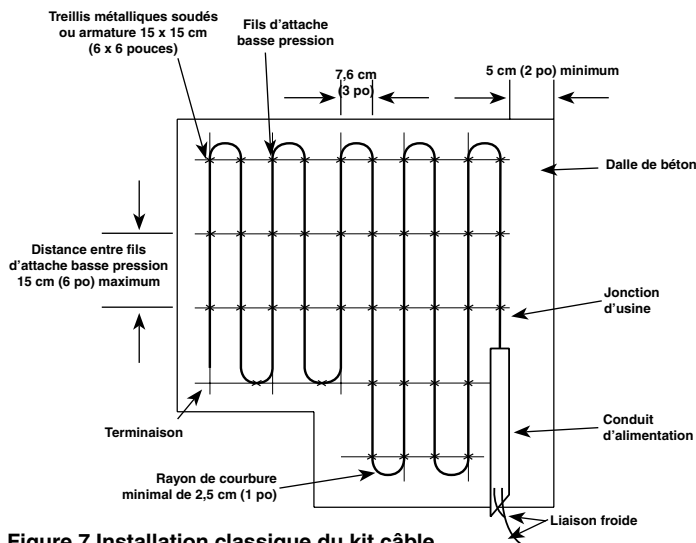
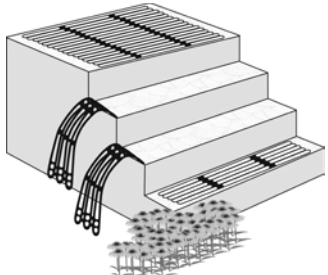


Figure 7 Installation classique du kit câble

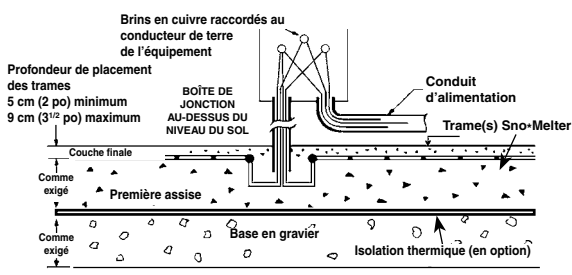
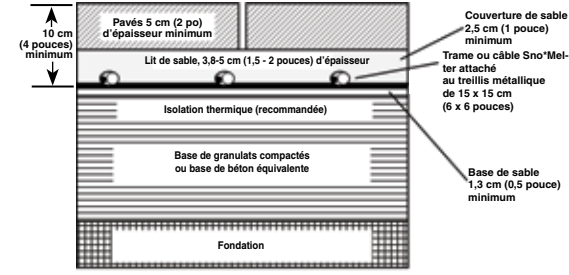
# INSTALLATION DANS DU BÉTON

	Deux coulées (systèmes frame et câble)	Une coulée (kits câble exclusivement)
<b>Illustration</b>	<p><b>Figure 8 Profondeur de placement dans le béton</b></p>	<p><b>Figure 9 Installation de câble</b></p>
<b>Attention</b>	<p>Généralement, une couche de béton de base est coulée et nivelée, puis les trames sont immédiatement positionnées, et le reste du béton est ensuite coulé. Il est également possible d'attendre la prise de la couche de base de béton, puis de positionner les trames pour ensuite effectuer la coulée. Dans le cas d'une méthode en deux coulées, il est nécessaire de veiller à ce que la couche supérieure se lie correctement au béton existant. La distance entre la surface finie et le niveau de positionnement des trames correspond à la « profondeur de positionnement de la trame ». Voir la Figure 8. Veillez à ce que les câbles/trames ne soient pas délogés au cours de la coulée.</p>	
<b>C1A. Test initial (câbles)</b>	<p><b>Test de résistance d'isolation :</b> Connectez un mégohmmètre entre la tresse de mise à la terre en cuivre et les deux conducteurs raccordés ensemble. Réglez le mégohmmètre à 500 V (minimum) et mesurez la résistance. La résistance doit être de 50 mégohms au minimum. Ce test garantit que le câble n'a pas été endommagé pendant l'expédition ou toute autre manipulation.</p> <p><b>Test de résistance :</b> Connectez un ohmmètre entre les deux conducteurs du câble. Mesurez la résistance. Assurez-vous que la résistance convient à la puissance et à la tension indiquées. Répétez le test ci-dessus pour chaque câble utilisé dans l'installation. Notez toutes les lectures sur le formulaire d'enregistrement de test fourni avec ces instructions.</p>	
<b>ou</b>		
<b>C1B. Test initial (trames)</b>	<p><b>Test de résistance d'isolation :</b> Connectez un mégohmmètre entre la tresse de mise à la terre en cuivre et le conducteur interne sur un conducteur d'une trame. Vérifiez que l'autre conducteur est isolé et que l'élément chauffant n'est pas en contact avec la tresse de mise à la terre. Réglez le mégohmmètre à 500 V (minimum) et mesurez la résistance. La résistance doit être de 50 mégohms au minimum. Ce test garantit que la trame n'a pas été endommagée pendant l'expédition ou toute autre manipulation.</p> <p><b>Test de résistance :</b> Connectez un ohmmètre entre les conducteurs internes des deux liaisons froides de la trame. Mesurez la résistance. Assurez-vous que la résistance convient à la puissance et à la tension indiquées. Répétez le test ci-dessus pour chaque trame utilisée dans l'installation. Notez toutes les lectures sur le formulaire d'enregistrement de test fourni avec ces instructions.</p>	
<b>C2. Coulée de la base</b>	Coulez le béton à la profondeur de positionnement du système Sno*Melter. Répartissez le béton afin que la surface supérieure soit relativement plane.	S/O
<b>C3A. Installation du câble</b>	Installez le treillis sur la surface de coulée de base.	Installez le treillis soudé (l'armature) sur les supports.
<b>ou</b>		
<b>C3B. Installation de la trame</b>	<p>Personnalisez les treillis métalliques soudés (l'armature) pour épouser les contours de courbes ou de toute autre obstruction. À l'aide des fils métalliques d'attache « basse pression » fournis avec le kit, attachez les câbles en position conformément au plan d'implantation Sno*Melter. Les câbles sont installés sur le treillis métallique soudé (l'armature), voir Figure 9.</p> <p>Positionnez les trames, assurez-vous que toutes les liaisons froides seront dans le béton et vérifiez que les écarts préconisés par rapport aux bords des coffrages et entre les trames adjacentes sont conformes au plan d'implantation Sno*Melter.</p> <p>Attachez les trames à des matériaux de renfort. Veillez à obtenir une profondeur de placement correcte des trames.</p>	S/O
<b>C4. Contrôles/capteurs/câblage électrique</b>	<p>Positionnez tous les contrôles/capteurs à installer sur la surface et connectez tout le câblage et tous les conduits. Ne connectez pas l'alimentation maintenant. Si nécessaire, fournissez une protection appropriée à ces dispositifs pendant l'installation de la surface. Introduisez les fils du conducteur froid du câble par le conduit dans la boîte de jonction. Installez tout le câblage, les conduits et les dispositifs de contrôle associés à l'installation de la surface, conformément au plan d'implantation et au plan de câblage Sno*Melter. Les conduits doivent se prolonger sur la surface pour garantir qu'aucun câblage ne soit exposé. Ne connectez pas l'alimentation maintenant. Positionnez et sécurisez les plaques signalétiques d'identification.</p>	
<b>C5. Deuxième test</b>	Testez à nouveau le système Sno*Melter et comparez les résultats actuels aux précédents.	
<b>C6. Coulée finale</b>	Achevez la surface : coulez et nivelez.	
<b>C7. Test final</b>	Testez à nouveau le système Sno*Melter et comparez les résultats actuels aux précédents.	

# INSTALLATION DANS DES MARCHES EN BÉTON

	Deux coulées (systèmes trame et câble)	Une coulée (kits câble exclusivement)
<b>Illustration</b>		
	<b>Figure 10 Installation dans des marches en béton</b>	
<b>Attention</b>	<p>Généralement, une couche de béton de base est coulée et nivelée, puis les trames sont immédiatement positionnées, et le reste du béton est ensuite coulé. Il est également possible d'attendre la prise de la couche de base de béton, puis de positionner les trames pour ensuite effectuer la coulée. Dans le cas d'une méthode en deux coulées, il est nécessaire de veiller à ce que la couche supérieure se lie correctement au béton existant. La distance entre la surface finie et le niveau de positionnement des trames correspond à la « profondeur de positionnement de la trame ». Voir la Figure 8.</p> <p>Veillez à ce que les câbles/trames ne soient délogées au cours de la coulée. Vérifiez que les câbles/trames des contremarches sont incrustés dans le béton et maintenez les écarts préconisés par rapport aux bords des coffrages et entre les systèmes adjacents. Veillez à obtenir une profondeur de placement correcte des trames et câbles. Prévoyez un écart de 50 mm (2 pouces) au bord avant de la marche.</p>	
<b>S1A. Test initial (câbles)</b>	<p><i>Test de résistance d'isolation</i> : Connectez un mégohmmètre entre la tresse de mise à la terre en cuivre et les deux conducteurs raccordés ensemble. Réglez le mégohmmètre à 500 V (minimum) et mesurez la résistance. La résistance doit être de 50 mégohms au minimum. Ce test garantit que le câble n'a pas été endommagé pendant l'expédition ou toute autre manipulation.</p> <p><i>Test de résistance</i> : Connectez un ohmmètre entre les deux conducteurs du câble. Mesurez la résistance. Assurez-vous que la résistance convient à la puissance et à la tension indiquées. Répétez le test ci-dessus pour chaque câble utilisé dans l'installation. Notez toutes les lectures sur le formulaire d'enregistrement de test fourni avec ces instructions.</p>	
<b>ou</b>		
<b>S1B. Test initial (trames)</b>	<p><i>Test de résistance d'isolation</i> : Connectez un mégohmmètre entre la tresse de mise à la terre en cuivre et le conducteur interne sur un conducteur d'une trame. Vérifiez que l'autre conducteur est isolé et que l'élément chauffant n'est pas en contact avec la tresse de mise à la terre. Réglez le mégohmmètre à 500 V (minimum) et mesurez la résistance. La résistance doit être de 50 mégohms au minimum. Ce test garantit que la trame n'a pas été endommagée pendant l'expédition ou toute autre manipulation.</p> <p><i>Test de résistance</i> : Connectez un ohmmètre entre les conducteurs internes des deux liaisons froides de la trame. Mesurez la résistance. Assurez-vous que la résistance convient à la puissance et à la tension indiquées. Répétez le test ci-dessus pour chaque trame utilisée dans l'installation. Notez toutes les lectures sur le formulaire d'enregistrement de test fourni avec ces instructions.</p>	
<b>S2. Coulée de la base</b>	Coulez du béton à la profondeur de positionnement du système Sno*Melter jusqu'à 50 mm (2 pouces) de la surface de marche finie et nivelez grossièrement. Répétez l'opération pour chaque marche.	S/O
<b>S3A. Installation du câble</b>	Installez le treillis métallique soudé (l'armature) sur la surface de coulée de base.	Installez le treillis métallique soudé (l'armature) sur les supports.
	Si nécessaire, pliez le treillis métallique soudé pour l'adapter aux marches et contremarches. Positionnez le câble de la première marche conformément au plan d'implantation Sno*Melter. Positionnez le câble conformément au plan d'implantation Sno*Melter. À l'aide des fils métalliques d'attache « basse pression » fournis avec le kit, installez les câbles en position conformément au plan d'implantation Sno*Melter. Les câbles sont installés sur le treillis métallique soudé (l'armature) de chaque marche.	
<b>ou</b>		
<b>S3B. Installation de la trame</b>	Disposez conformément au plan d'implantation Sno*Melter. Attachez les trames à des matériaux de renfort.	S/O
<b>S4. Contrôles/capteurs/câblage électrique</b>	Positionnez tous les contrôles/capteurs à installer sur la surface et connectez tout le câblage et tous les conduits. Ne connectez pas l'alimentation maintenant. Si nécessaire, fournissez une protection appropriée à ces dispositifs pendant l'installation de la surface. Introduisez les liaisons froides du câble par le conduit dans la boîte de jonction. Installez tout le câblage, les conduits et les dispositifs de contrôle associés à l'installation de la surface, conformément au plan d'implantation et au plan de câblage Sno*Melter. Les conduits doivent se prolonger dans la surface pour garantir qu'aucun câblage n'est exposé. Ne connectez pas l'alimentation maintenant. Positionnez et sécurisez les plaques signalétiques d'identification.	
<b>S5. Deuxième test</b>	Testez à nouveau le système Sno*Melter et comparez les résultats actuels aux précédents.	
<b>S6. Coulée finale</b>	Achevez la surface, coulez et nivelez. Répétez les étapes 2 à 4 pour les marches restantes.	
<b>S7. Test final</b>	Testez à nouveau le système Sno*Melter et comparez les résultats actuels aux précédents.	

# INSTALLATION DANS L'ASPHALTE ET SOUS DES PAVÉS

	Asphalte	Pavés
<p><b>Illustration</b></p>	 <p><b>Figure 12 Installation de trames dans de l'asphalte</b></p>	 <p><b>Figure 11 Installation dans des trottoirs, voies d'accès ou terrasses en milieu résidentiel</b></p>
<p><b>Attention</b></p>	<p>Seules les trames Sno*Melter peuvent être installées dans l'asphalte. Il n'est pas possible d'installer les kits câble Sno*Melter dans l'asphalte. Le revêtement doit être installé conformément aux bonnes pratiques de construction, notamment le recours à des dispositifs de drainage, de renfort, etc.</p> <p>Des installations de revêtement incorrectes peuvent résulter en des surfaces instables qui risquent de déplacer, de fissurer et de briser les câbles chauffants de trames.</p> <p>L'asphalte doit être livré au chantier à une température inférieure à 170 °C (340 °F) – tout agrégat de taille supérieure ou toute température plus élevée pourraient endommager les câbles et provoquer une défaillance du système. Généralement, une couche d'asphalte de base est posée, puis après un temps de refroidissement, les trames sont positionnées, et la couche finale d'asphalte est posée. (Il est également possible de poser les trames sur une couche existante d'asphalte qui est resurfacée). La profondeur de positionnement de la trame doit correspondre à celle indiquée à la figure 12.</p>	<p>Suivez attentivement les instructions du fabricant des pavés ainsi que les directives de l'institut ICPI (Interlocking Concrete Pavement), spécification technique numéro 12, pour l'installation de systèmes Sno*Melter sous des pavés. Il est instamment recommandé de confier à un poseur de pavés expérimenté l'installation sous pavés en coordination avec un entrepreneur électrique pour l'installation de la trame. La conception et l'installation des pavés varie selon le climat local, les matériaux employés, les conditions du sol, notamment le drainage, et les charges d'utilisation prévues.</p> <p>N'installez pas de trame/câble Sno*Melter dans un matériau à base de granulats compactés, car cela pourrait endommager le câble et empêcher le système de fonctionner.</p> <p>La trame/le câble Sno*Melter doit être placé sur un lit de sable. Le câble chauffant et les jonctions doivent être entièrement enfouis dans le lit de sable. Voir la Figure 11.</p>
<p><b>A1A. Test initial (câbles)</b></p>	<p><i>Test de résistance d'isolation</i> : Connectez un mégohmmètre entre la tresse de mise à la terre en cuivre et les deux conducteurs raccordés ensemble. Réglez le mégohmmètre à 500 V (minimum) et mesurez la résistance. La résistance doit être de 50 mégohms au minimum. Ce test garantit que le câble n'a pas été endommagé pendant l'expédition ou toute autre manipulation.</p> <p><i>Test de résistance</i> : Connectez un ohmmètre entre les deux conducteurs du câble. Mesurez la résistance. Assurez-vous que la résistance convient à la puissance et à la tension indiquées. Répétez le test ci-dessus pour chaque câble utilisé dans l'installation. Notez toutes les lectures sur le formulaire d'enregistrement de test fourni avec ces instructions.</p>	
<p><b>ou</b></p>		
<p><b>A1B. Test initial (trames)</b></p>	<p><i>Test de résistance d'isolation</i> : Connectez un mégohmmètre entre la tresse de mise à la terre en cuivre et le conducteur interne sur un conducteur d'une trame. Vérifiez que l'autre conducteur est isolé et que l'élément chauffant n'est pas en contact avec la tresse de mise à la terre. Réglez le mégohmmètre à 500 V (minimum) et mesurez la résistance. La résistance doit être de 50 mégohms au minimum. Ce test garantit que la trame n'a pas été endommagée pendant l'expédition ou toute autre manipulation.</p> <p><i>Test de résistance</i> : Connectez un ohmmètre entre les conducteurs internes des deux liaisons froides de la trame. Mesurez la résistance. Assurez-vous que la résistance convient à la puissance et à la tension indiquées. Répétez le test ci-dessus pour chaque trame utilisée dans l'installation. Notez toutes les lectures sur le formulaire d'enregistrement de test fourni avec ces instructions.</p>	
<p><b>A2. Préparation de la base</b></p>	<p>Coulez et nivelez la couche de base (voir la figure 12). Si des trames doivent être placées sur une surface existante, assurez-vous que la surface est propre et ne comporte pas de matériaux coupants pouvant percer le câble chauffant pendant l'installation.</p>	<p>Préparez correctement le sol et la base de granulats. Utilisez des bordures de retenue pour éviter la perte de sable, ce qui pourrait entraîner la défaillance du système Sno*Melter. Installez le treillis métallique de renfort.</p>

## INSTALLATION DANS L'ASPHALTE ET SOUS DES PAVÉS (suite)

<b>A3A. Installation du câble</b>	S/O	À l'aide des fils d'attache « basse pression » fournis avec le kit, installez les câbles en position conformément au plan d'implantation Sno*Melter. Les câbles sont installés sur le treillis métallique soudé (l'armature).
<b>ou</b>		
<b>A3B. Installation de la trame</b>	Positionnez les trames, assurez-vous que toutes les liaisons froides seront dans le béton et vérifiez que les écarts préconisés par rapport aux bords des coffrages et entre les trames adjacentes sont conformes au plan d'implantation Sno*Melter.	Disposez conformément au plan d'implantation Sno*Melter. Fixez la trame à un treillis métallique avec les attaches de câbles en nylon fixés aux BRINS DE TRAME BLANCS UNIQUEMENT lorsque cela est possible. Si des attaches doivent être utilisées sur le câble chauffant noir, laissez un léger mou, NE serrez PAS entièrement sinon l'attache pourrait couper le câble et provoquer la défaillance de la trame en cours de fonctionnement. Posez les trames au-dessus de la base de granulats compactés (installation de type terrasse/trottoir) ou la base de béton (installation de type voie d'accès).
<b>A4. Contrôles/ capteurs/câblage électrique</b>	Positionnez tous les contrôles/capteurs à installer sur la surface et connectez tout le câblage et tous les conduits. Ne connectez pas l'alimentation maintenant. Si nécessaire, fournissez une protection appropriée à ces dispositifs pendant l'installation de la surface. Introduisez les liaisons froides par le conduit dans la boîte de jonction. Installez tout le câblage, les conduits et les dispositifs de contrôle associés à l'installation de la surface, conformément au plan d'implantation et au plan de câblage Sno*Melter. Les conduits doivent se prolonger sur la surface pour garantir qu'aucun câblage n'est exposé. Ne connectez pas l'alimentation maintenant. Positionnez et sécurisez les plaques signalétiques d'identification.	
<b>A5. Deuxième test</b>	Testez à nouveau le système Sno*Melter et comparez les résultats actuels aux précédents.	
<b>A6. Achèvement de la surface</b>	Procédez à l'application de la couche supérieure. Il est préférable de couvrir toute la trame par une couche continue. <i>Remarque : Ne déversez pas une épaisseur d'asphalte chaud sur les trames supérieure à 152 mm (6 pouces). La température endommagerait le câble chauffant.</i>	Terminez la surface de revêtement.
<b>A7. Test final</b>	Testez à nouveau le système Sno*Melter et comparez les résultats actuels aux précédents. Pour les installations dans de l'asphalte, effectuez les tests après que l'asphalte ait refroidi à température ambiante.	



## CONNEXIONS ET MAINTENANCE

### Câblage et identification

Lorsque le béton est durci ou que l'asphalte a refroidi à température ambiante, les connexions aux contrôles et à l'alimentation peuvent être effectuées conformément au plan de câblage Sno\*Melter. Appliquez les étiquettes de mise en garde « ATTENTION – SYSTÈME ÉLECTRIQUE DE FONTE DE NEIGE ET DE GLACE » sur l'alimentation et à proximité de la surface chauffée.

### Maintenance

Une inspection du système est recommandée avant la saison hivernale.

- Des tests annuels de résistance d'isolement (mégohmmètre) permettent de confirmer l'intégrité des câbles. Ces lectures doivent être enregistrées et comparées annuellement.
- Les performances de chauffage doivent être vérifiées en mesurant et enregistrant l'appel de courant de chacun des circuits de 2 à 5 minutes après la mise sous tension. La température de la dalle doit également être enregistrée. Une approche alternative pour vérifier les performances de chauffage consiste à mouiller une dalle de béton et à la surveiller pour contrôler l'uniformité du séchage une fois le système chauffant sous tension.
- Les changements majeurs de résistance de l'isolation ou de courant dans le système chauffant doivent être résolus.
- Les boîtes de jonction doivent être inspectées à la recherche d'eau ou de traces d'infiltration d'eau. Si de l'humidité est présente, le boîtier doit être séché et la cause de l'infiltration doit être identifiée et réparée.
- Les surfaces doivent être inspectées annuellement à la recherche de fissures, de câbles exposés, etc., et rendues étanches avec une matière cimentaire ou une matière compatible avec l'asphalte.

Si de l'herbe ou des mauvaises herbes se développent entre les pavés, des précautions doivent être prises lors de l'utilisation d'outils d'élimination de ces herbes, sinon la trame ou le câble pourrait être endommagé. Le plan d'implantation Sno\*Melter et le plan de câblage Sno\*Melter doivent être conservés pour y faire référence ultérieurement.

## ÉVALUATIONS UL MAXIMALES - APPLICABLES UNIQUEMENT AUX KITS DE CÂBLE SNO\*MELTER

Volts	Pieds	Watts/Câble	Watts/Pieds	Watts/Pieds-carrés
120	250	3 117	12,5	46,5
240	500	6 234	12,5	48
208	435	5 382	12,5	49
265	560	6 786	12,5	50
277	580	7 159	12,7	49
347	925	8 987	12,5	48
480	1 000	12 468	12,5	48
600	1 250	15 584	12,5	48

## GARANTIE ET RESPONSABILITÉ LIMITÉES

Sauf disposition écrite contraire d'EasyHeat, s'il existe un quelconque vice de matériau ou de fabrication de tout câble chauffant ou accessoire (les « MARCHANDISES ») au cours de la première année suivant la date d'achat, EasyHeat garantit qu'elle fournira des produits neufs en remplacement de tout article défectueux ou remboursera le prix d'achat payé pour l'accessoire ou le câble, non compris tout frais de main-d'œuvre ou tout autre frais d'installation. Comme solution de remplacement, nous pouvons décider de réparer le câble ou l'accessoire au sein de notre usine, l'intégralité des frais d'expédition et d'enlèvement étant supportée par l'acheteur.

Notre obligation de fournir des produits neufs, de rembourser le prix d'achat ou d'effectuer la réparation décrite ci-dessus est assujettie aux conditions suivantes : (a) l'installation de l'accessoire ou du câble doit avoir été effectuée conformément aux directives définies dans nos instructions d'installation et (b) l'accessoire ou le câble ne doit avoir subi aucun dommage du fait d'activités mécaniques ou électriques non liées au fonctionnement de l'accessoire ou du câble.

**Le remboursement du prix d'achat, la fourniture de produits de remplacement ou la réparation de l'accessoire ou du câble, comme décrit ci-dessus, constituent votre recours unique et exclusif en cas de violation de la présente garantie. CE SONT LES GARANTIES UNIQUES ET EXCLUSIVES ACCORDÉES PAR EASYHEAT QUANT AUX MARCHANDISES ET ELLES REMPLACENT ET EXCLUENT TOUTE AUTRE GARANTIE, EXPRESSE OU IMPLICITE, DÉCOULANT DE L'APPLICATION D'UNE LOI OU AUTREMENT, Y COMPRIS ET DE MANIÈRE NON LIMITATIVE, LA QUALITÉ MARCHANDE ET L'ADAPTATION À UNE FIN PARTICULIÈRE, QUE LA FIN OU L'USAGE AIT ÉTÉ RÉVÉLÉ OU NON À EASYHEAT DANS LE CADRE DE SPÉCIFICATIONS, DE SCHÉMAS OU AUTREMENT, ET QUE LES PRODUITS D'EASYHEAT SOIENT OU NON SPÉCIFIQUEMENT CONÇUS OU FABRIQUÉS PAR EASYHEAT POUR VOTRE UTILISATION OU FIN.**

La présente garantie ne s'étend pas à toute perte ou tout dommage résultant d'un usage impropre, d'un accident, d'un abus, d'un manquement, d'une usure normale, d'une négligence, d'une modification ou altération non autorisée, d'une utilisation au-delà de la capacité nominale ou d'une installation, maintenance ou application impropres. Dans la mesure où vos mandataires ou vous-même avez fourni des spécifications, informations, exposés de condition de fonctionnement ou d'autres données à EasyHeat dans le cadre de la sélection ou de la conception des Biens et de la préparation du devis d'EasyHeat, et dans l'éventualité où les conditions de fonctionnement réelles ou d'autres conditions diffèrent de celles que vous aviez exposées, toutes garanties et autres dispositions contenues dans les présentes et affectées par de telles conditions sont nulles et non avenues.

Si, dans les trente (30) jours suivant la découverte de tout défaut garanti au cours de la période de garantie, vous en notifiez EasyHeat par écrit, EasyHeat doit, à sa discrétion, réparer ou remplacer sur une base FAB (franco à bord), au lieu de fabrication ou rembourser le prix d'achat de la portion des Marchandises qu'EasyHeat conclut être défectueuse. Le défaut d'une telle notification écrite de votre part dans le délai applicable doit être réputé constituer une renonciation absolue et inconditionnelle à votre réclamation au titre de tels défauts. Les Marchandises réparées ou remplacées lors de la période de garantie doivent être couvertes par la garantie qui précède pour le reliquat de la période de garantie originale ou quatre-vingt-dix (90) jours à compter de la date d'expédition des marchandises réparées ou remplacées, selon la plus longue des deux échéances.

**La présente garantie limitée ne couvre pas les coûts liés à la réparation ou au remplacement de quelconques accessoires ou câbles sur le site d'installation.** Nos accessoires et câbles ne sont pas facilement accessibles. Il n'est habituellement pas facile de réparer un accessoire ou un câble défectueux. En effet, le remplacement d'un accessoire ou d'un câble défectueux exige le retrait du matériau sous lequel il est installé. **Nous ne rembourserons aucun frais inhérent à la réparation ou au remplacement d'un quelconque accessoire ou câble sur le site d'installation.**

**DANS AUCUNE CIRCONSTANCE, QUELLE QUE SOIT LA FORME DE LA RÉCLAMATION OU LA CAUSE D'ACTION (QU'ELLE SOIT CONTRACTUELLE, FONDÉE SUR UNE CONTREFAÇON, UNE NÉGLIGENCE, UNE RESPONSABILITÉ STRICTE, UN AUTRE DÉLIT CIVIL OU TOUT AUTRE FONDEMENT), LA RESPONSABILITÉ D'EASYHEAT À VOTRE ÉGARD OU À CELUI DE VOS CLIENTS NE SAURAIT EXCÉDER LE PRIX PAYÉ PAR VOUS POUR LES BIENS SPÉCIFIQUES FOURNIS PAR EASYHEAT DONNANT LIEU À LA RÉCLAMATION OU CAUSE D'ACTION. VOUS ACCEPTEZ QUE NOUS NE SOYONS PAS RESPONSABLES À VOTRE ÉGARD OU CELUI DE VOS CLIENTS DE QUELCONQUES DOMMAGES ACCESSOIRES, SPÉCIAUX, INDIRECTS OU PUNITIFS.** Aucun de nos agents, employés ou représentants n'est autorisé à nous lier par une quelconque affirmation, déclaration ou garantie relative aux marchandises vendues, à moins que cette affirmation, déclaration ou garantie ne soit spécifiquement incorporée par convention écrite.

Pour obtenir des produits neufs, la réparation d'un produit existant ou un remboursement en vertu de cette garantie, veuillez contacter EasyHeat et fournir une description du défaut, accompagnée d'une preuve d'achat à l'adresse indiquée dans les présentes.

**États-Unis :**  
EASYHEAT, INC.  
c/o EGS Electrical Group LLC  
2 Connecticut South Drive,  
East Granby, CT 06026  
800-537-4732

**Canada :**  
EASYHEAT, LTD.  
99 Union Street  
Elmira, ON N3B 3L7  
800-794-3766

# SISTEMAS SNO\*MELTER®

## Instrucciones de instalación de kits de cables y mallas

---

### CONTENIDO

Advertencia	28
Descripción	28
Planificación	29
Precaución	30
Instalación general	32
Instalación en concreto	33
Instalación en escalones de concreto	34
Instalación en asfalto y debajo de pavimentos	35
Conexiones y mantenimiento	37
Clasificaciones máximas de UL	38
Garantía y responsabilidad limitadas	39

## ADVERTENCIA

- Lea y siga detenidamente las instrucciones.
  - Si no se siguen las instrucciones, el cable se sobrecalentará y podrán producirse incendios o descargas eléctricas. Como sucede con todos los aparatos eléctricos, el mal uso o los daños durante la instalación o la operación pueden provocar una situación potencialmente peligrosa.
  - No debe alterarse la longitud de la porción correspondiente al cable de calentamiento. Estas alteraciones podrían causar lesiones físicas o un incendio.
  - Pueden cortarse las porciones del cable toma corriente para adaptarlas a la ubicación de la caja de conexiones eléctricas.
  - JAMÁS permita que los cables de calentamiento se toquen, se crucen o se traslapen en ningún punto. JAMÁS permita que el cable de calentamiento entre en contacto, se cruce o se traslape con sí mismo. Esto provocará que el cable de calentamiento se sobrecaliente y podría producir incendios o descargas eléctricas.
  - No permita que los cables se curven o tuerzan durante la instalación.
- La temperatura de instalación mínima es de 0 °C (32 °F).
  - Use una protección contra el fallo de la conexión a tierra para todas las instalaciones, de conformidad con los códigos eléctricos nacionales o locales. Consulte a su inspector local para conocer los requerimientos específicos.
  - No active los sistemas Sno\*Melter para acelerar el curado del concreto.
  - Las mallas Sno\*Melter se pueden instalar en asfalto. El asfalto debe colocarse en la obra a una temperatura menor a 170 °C (340 °F). Temperaturas superiores dañarán el cable y provocarán fallas.
  - Los kits de cables Sno\*Melter no pueden instalarse en asfalto.

## DESCRIPCIÓN

Los sistemas EasyHeat Sno\*Melter están diseñados para eliminar nieve y hielo al contacto en exteriores. Los sistemas están diseñados para instalarse en arena, debajo de pavimentos, o completamente empotrados en superficies de concreto o asfalto. Las instalaciones indicadas son aceras, patios, entradas, rampas de estacionamiento, escalones, etc. en entornos residenciales y comerciales a pequeña escala. Para aplicaciones comerciales a gran escala de uso más intenso, consulte a EasyHeat.

Los sistemas Sno\*Melter contienen un elemento de calentamiento eléctrico diseñado para proporcionar una cantidad fija de calor. Los sistemas Sno\*Melter se empotran al momento de instalar el recubrimiento de la superficie. Es posible que algunos dispositivos de control y accesorios también deban instalarse en ese momento. Cuando se conecta a un voltaje apropiado para el sistema y cuando un control del sistema (opcional) detecta la presencia de hielo o nieve, el sistema se activa. El calor del sistema aumenta la temperatura de la superficie del pavimento hasta superar el punto de congelamiento, por lo que derrite la nieve o el hielo presentes en la superficie. Cuando se hace funcionar mediante controles EasyHeat, el sistema proporciona un rendimiento económico y fiable para derretir hielo y nieve.

Las mallas Sno\*Melter consisten de un solo tramo de cable de calentamiento que posee una forma predeterminada. Para conservar el cable en esta forma se cuenta con filamentos poliméricos fundidos al cable. Los cables toma corriente vienen conectados de fábrica con la malla y están disponibles en distintas longitudes para adaptarse a la ubicación de las cajas de conexión eléctrica. Las mallas Sno\*Melter vienen en juegos rectangulares estándar y en tamaños personalizados (longitud, ancho, potencia, voltaje, etc.).

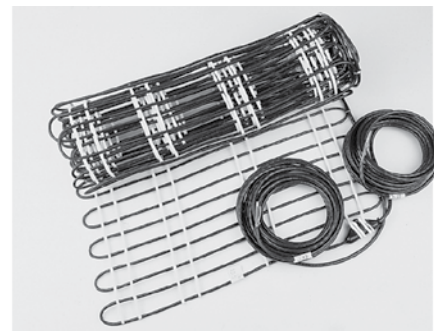


Figura 1: Diseño de la malla estándar

Los kits de cables Sno\*Melter consisten de un solo cable de calentamiento y un conjunto de cinchos de amarre para cable, son fáciles de usar prácticamente en cualquier tipo de superficie. El kit incluye cinchos de amarre de cables de "baja presión" para acoplar el cable de calentamiento al refuerzo o la malla metálica soldada. Los cables toma corriente vienen conectados de fábrica con el cable.

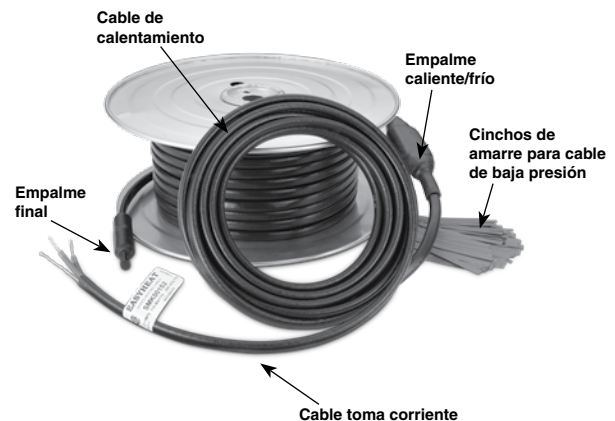


Figura 2: Kit de cables



# PLANIFICACIÓN

## P1. Información

Antes de comenzar cada instalación, se debe contar con un plano de montaje y un plano de cableado del Sno\*Melter. Esta información garantizará que todos los cables y mallas necesarios estén disponibles en el sitio antes de la instalación del recubrimiento de la superficie y que cumplen con los requisitos de instalación (forma, voltaje, amperaje, área cubierta).

## P2. Plano de montaje del Sno\*Melter

El plano de montaje del Sno\*Melter debe estar diseñado de modo que cubra el área que se desea proteger, y debe dejarse un espacio para obstrucciones (como postes de luz, juntas de expansión, juntas de control, etc.). En algunos casos, se puede modificar la forma de la malla para resolver esas obstrucciones. Consulte "Modificaciones en la forma de la malla".

Los cables y las mallas no deben colocarse debajo de áreas que se perforarán en el futuro a fin de sujetar estructuras montadas en la superficie, como barandales. Los cables o las mallas deben estar posicionados de acuerdo con el plano de montaje del Sno\*Melter; este plano debe estar disponible en la obra. El plano de montaje debe identificar claramente los siguientes elementos:

- Ubicación y número de identificación de cada cable y malla
- Tendido de los cables toma corriente de cada cable y malla
- Ubicación de todas las cajas de conexiones
- Tendido de todos los tubos conduit
- Ubicación de todos los controles y sensores
- Ubicación de todos los drenajes, tuberías y obstrucciones similares
- Juntas de expansión y de control
- Áreas que pueden perforarse en el futuro para sujetar estructuras montadas en superficies, como barandales, anuncios, postes, topes en áreas de estacionamiento, etc.

## P3. Plano de cableado del Sno\*Melter

El plano de cableado del Sno\*Melter debe identificar claramente los siguientes elementos:

- Detalles de la conexión de los cables y mallas de calentamiento, controles y sensores, y fuente de energía
- Identificación de cada cable, malla, control, sensor, caja de conexiones, etc.
- Las clasificaciones de los circuitos derivados (voltaje, amperaje)
- Al momento de completar la instalación del sistema Sno\*Melter y antes de la finalización de la superficie, el plano de montaje del Sno\*Melter y el plano de cableado del Sno\*Melter deben estar modificados para reflejar las condiciones de armado. Se recomienda dejar un registro fotográfico de las condiciones de armado.

## P4. Plano de montaje

Los cables y las mallas deben colocarse según lo indicado en el plano de montaje del Sno\*Melter con el que fueron fabricados; este plano debe estar disponible en la obra. Las mallas y los cables no deben tocarse ni traslaparse. Las mallas y los cables no deben colocarse debajo de áreas que serán perforadas en el futuro para sujetar estructuras montadas en la superficie, como barandales.

Para instalaciones en concreto: identifique la ubicación de las juntas de expansión y de control.

## P5. Juntas de expansión y de control

Por lo general, las juntas de control son muescas en una superficie de concreto, en las que se tratan de formar fisuras. Las muescas se pueden formar con una paleta especial antes de que se seque el concreto o mediante el corte con una sierra especial para concreto después de que el concreto se ha endurecido. Lo ideal es no posicionar las mallas y los cables a través de las juntas de control para evitar una carga sobre la malla provocada por fisuras o movimientos en las áreas de la junta. Si es necesario, las mallas y los cables pueden colocarse a través de las juntas de control, pero si el movimiento de las secciones de concreto es mayor a 3,2 mm (1/8 pulgadas), esto podría dañar las mallas o los cables (para obtener más detalles, consulte la Figura 3).

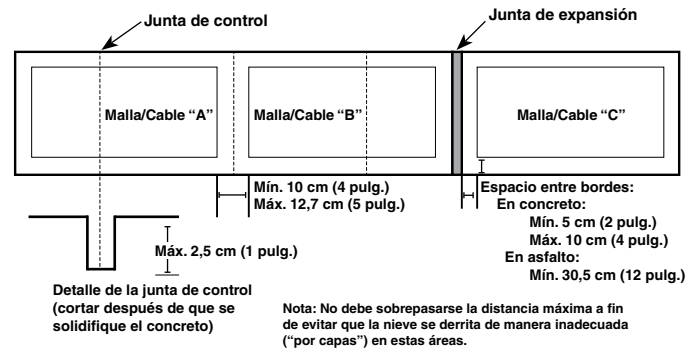


Figura 3: Cables y mallas del Sno\*Melter a través de las juntas de control o expansión

Recomendamos usar un **REFUERZO O UNA MALLA METÁLICA SOLDADA** en el concreto para evitar movimientos significativos del concreto adyacente a la junta de control. En caso de un movimiento no intencional de las mallas o de los cables al verter el concreto, las juntas de control deben cortarse cuidadosamente por encima de los cables para asegurarse de que la sierra no dañe el cable de calentamiento. Consulte la Figura 3.

Por lo general, las juntas de expansión son separaciones formales entre secciones de concreto, con algún tipo de material flexible para formar la separación que luego absorberá todas las expansiones térmicas en la sección de concreto. El movimiento de secciones adyacentes podría dañar un cable que cruce una junta de expansión. Por ese motivo, el tendido de los cables y las mallas no debe pasar por las juntas de expansión (consulte la Figura 3).

Es muy importante que el material de base ubicado por debajo de la superficie de concreto esté instalado de forma tal que evite el movimiento de la superficie acabada, ya que se podría producir una falla del sistema.

## P6. Caja de conexiones: Preparación y cableado del tubo conduit

En todos los sistemas Sno\*Melter se debe efectuar un cableado apropiado de acuerdo con el plano de cableado del Sno\*Melter. Debe usarse un tubo conduit para proteger los cables toma corriente (que no calientan) en la salida del área de instalación hacia las cajas de conexiones. Todos los tubos conduit y el resto de los artículos de cableado necesarios que se instalarán dentro de la superficie deben estar disponibles antes de comenzar la instalación en la superficie de los cables y las mallas del Sno\*Melter.

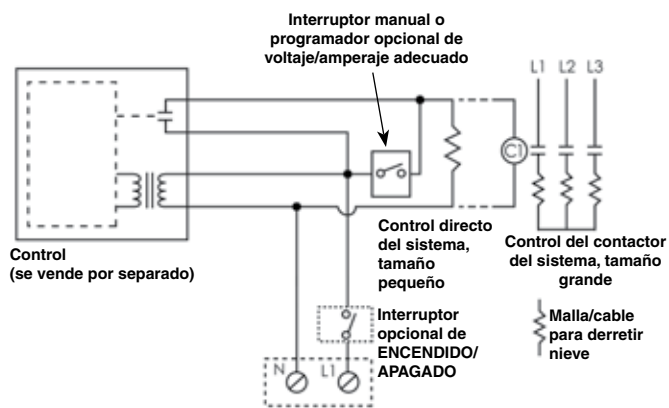


Figura 4: Diagrama de cableado típico de los sistemas Sno\*Melter

En la mayoría de los casos, la ubicación ideal para las cajas de conexiones es en interiores, con al menos 450 mm (18 pulgadas) de cables conductores accesibles dentro de la caja. Cuando se planifica la ubicación de las cajas de conexiones, es importante que al menos 300 mm (un pie) de cable toma corriente permanezca empotrado en la superficie. Las cajas de conexiones y el tubo conduit deben ubicarse de forma tal que pueden alojar la máxima cantidad de cables conductores que se espera pasar hacia o a través de ellos. Debe usarse un buje aislante para proteger el cable toma corriente en el lugar donde entra al tubo conduit. Las cajas de conexiones siempre deben ubicarse sobre el nivel del suelo para evitar que ingrese agua en los cables.

Es posible que las cajas de conexiones que se encuentran debajo del nivel del suelo deban encapsularse y que deba identificarse su ubicación sobre el nivel del suelo.

Los controles y el cableado deben instalarse de acuerdo con el plano de montaje del Sno\*Melter y el plano de cableado del Sno\*Melter. (Algunos controles incluyen artículos cuya instalación es obligatoria en la superficie calentada). Todo el cableado debe cumplir con los códigos eléctricos locales relevantes. Si los cables y las mallas Sno\*Melter se controlan solo con interruptores eléctricos manuales, se recomienda instalar una lámpara piloto en el lado de carga de cada interruptor para que exista un indicador visual cuando se energicen los sistemas Sno\*Melter.

## P7. Identificación

Los controles y paneles eléctricos deben identificarse según sea su función para derretir nieve. Las áreas donde se derrite la nieve deben identificarse con anuncios o señales claramente visibles. EasyHeat ofrece placas de identificación (número de pieza NMPLT); para obtener detalles, comuníquese con EasyHeat.

## P8. Aislamiento térmico

El aislamiento térmico, por ejemplo la utilización de un panel de espuma rígida, mejorará el rendimiento y reducirá el costo de energía de los cables y las mallas Sno\*Melter. Asegúrese de que el aislamiento sea el adecuado para el proceso de instalación en superficie y las condiciones futuras a las que estará expuesto. Debido a que las instalaciones en pavimentos normalmente se colocan a una profundidad más baja, se recomienda usar aislamiento térmico. El aislamiento térmico es opcional para las instalaciones en concreto y asfalto.

## PRECAUCIÓN

- Todas las instalaciones deben cumplir con todos los códigos eléctricos aplicables, con las instrucciones del fabricante de pavimento, con las directrices de la especificación técnica núm. 12 del Instituto de Pavimentos de Concreto (ICPI, Interlocking Concrete Pavement Institute) y con todos los códigos y normas, además de procedimientos de inspección, utilizados en la industria de la construcción a nivel local y nacional. Es posible que se requiera una inspección eléctrica durante o después de la instalación del sistema. Consulte a su inspector eléctrico local para saber los requerimientos específicos.
- Todos los cables toma corriente de todos los cables y mallas incluyen etiquetas de identificación cuando se envían desde la fábrica. Esta identificación debe conservarse dentro de todas las cajas de conexiones para garantizar que en el futuro las mallas y los cables individuales se puedan identificar fácilmente y en cualquier momento.
- NO haga funcionar los sistemas Sno\*Melter en condiciones climáticas calurosas. Asegúrese de que los controles adecuados estén energizados y que funcionen antes de la temporada invernal. Haga funcionar los sistemas Sno\*Melter únicamente cuando sea necesario derretir hielo y nieve.
- Debe tenerse extremo cuidado cuando se utilizan maquinarias como carretillas, rodillos, cargadores frontales, tractores, pavimentadoras, etc. en la instalación de sistemas Sno\*Melter. Este tipo de maquinaria no debe tener picos ni orugas de metal de ningún tipo. Estos picos u orugas pueden hundirse en el concreto o asfalto, entrar en contacto con el cable y posiblemente provocar daños.
- Por lo general, se requiere usar artefactos filosos, como rastrillos, palas, etc. durante las instalaciones de superficies. Sin embargo, a menos que se tomen precauciones, estos artefactos pueden dañar los cables de los sistemas Sno\*Melter durante la instalación.

## PRECAUCIÓN (continuación)

Todos los trabajadores deben tener conocimiento de que no deben hacer contacto con los cables con este tipo de implementos. Si lo hacen, debe verificarse inmediatamente si existen daños en el cable y repararlos si estuviesen dañados.

- La ruta de carretillas, rodillos, camiones, etc. no debe pasar sobre cables descubiertos de sistemas Sno\*Melter. Los trabajadores no deben caminar sobre los cables. Los cables se instalan en el refuerzo y el peso sobre ellos es altamente concentrado; un daño en los cables posiblemente produzca un fallo operativo inmediato o posterior.
- Debe verificarse el espacio del vertedero y la velocidad de entrega de concreto/asfalto a fin de asegurar que los cables y las mallas no se desplacen.
- No use compuestos químicos que puedan ser dañinos para el cobre o el PVC.
- Los sistemas Sno\*Melter están aprobados para usarse en ubicaciones húmedas. Los empalmes realizados en la fábrica están diseñados y probados en cuanto a su impermeabilidad. Para garantizar una instalación completamente impermeable, también es importante que todas las conexiones sean impermeables. El uso de acoplamientos, bujes y cajas de conexiones aprobados para exteriores, sumado al cuidado en la impermeabilización de los empalmes, garantizará un rendimiento eléctrico fiable y sin problemas.
- Se deben identificar claramente todos los productos certificados por UL y CSA. En consecuencia, si los conductores de estos cables se han recortado, asegúrese de conservar un mínimo de 150 mm (6 pulgadas) de cable toma corriente con su etiqueta de identificación de fábrica en la caja de conexiones.
- Corte la energía en todos los circuitos de alimentación antes de la instalación o del mantenimiento.
- Mantenga secos los extremos de los toma corrientes y otros materiales expuestos antes de la instalación y durante esta.
- El cable trenzado de la conexión a tierra del dispositivo de calentamiento debe estar conectado a una terminal de conexión a tierra/puesta a tierra.
- Debe inspeccionarse el sitio a fin de que no haya objetos filosos o rebabas en la malla metálica o refuerzo.
- Los sistemas Sno\*Melter deben estar unidos a la subestructura conforme los métodos de espacio, radios de flexión y transición de juntas de expansión que se muestran en estas instrucciones de instalación.

# INSTALACIÓN GENERAL

## Preparación

### Excavación y aislamiento

Excave y compacte el material base del área de la superficie y, si aplica, instale el aislamiento térmico apropiado. Complete la preparación del área de la superficie.

### Verificación de cables, mallas y accesorios

Antes de la instalación, los cables, las mallas y los accesorios deben estar verificados a fin de asegurar que corresponden a los requisitos de instalación (forma, voltaje, amperaje, área cubierta) y al número de modelo, según el plano de montaje del Sno\*Melter y al plano de cableado del Sno\*Melter.

### Cableado, controles y conexiones

Coloque temporalmente la malla en la posición deseada según el plano de montaje del Sno\*Melter. Instale todo el cableado, el tubo conduit y los dispositivos de control asociados con la instalación de la superficie de acuerdo con el plano de montaje y el plano de cableado del Sno\*Melter. Enrosque los hilos del cable toma corriente de la malla o cable a través del tubo conduit hacia el interior de la caja de conexiones correspondiente. Deje que los hilos de los cables toma corriente queden suficientemente holgados de modo que permitan la manipulación de las mallas.

Si se trata de los kits de cables Sno\*Melter, no instale los cables todavía. Instale solamente el cableado completo, el tubo conduit y los dispositivos de control asociados con la instalación de la superficie de acuerdo con el plano de montaje del Sno\*Melter y el plano de cableado del Sno\*Melter. No conecte la fuente de energía todavía. Los tubos conduit deben extenderse hacia el interior de la superficie para garantizar que ningún cable quede expuesto.

Posicione todos los controles y sensores que se instalarán dentro de la superficie y conecte todo el cableado y los tubos conduit. Proporcione una protección adecuada para estos dispositivos durante la instalación de la superficie. Proporcione protección para todos los controles que puedan dañarse o dislocarse durante la aplicación de la superficie.

### Alteraciones en la forma de la malla

Las mallas pueden hacerse a medida para seguir los contornos de curvas y otras obstrucciones mediante una serie de cortes en los hilos sujetadores de la malla, como se muestra en las figuras 5 y 6. Debe tenerse mucho cuidado de no cortar el cable calentador de la malla durante esta operación.

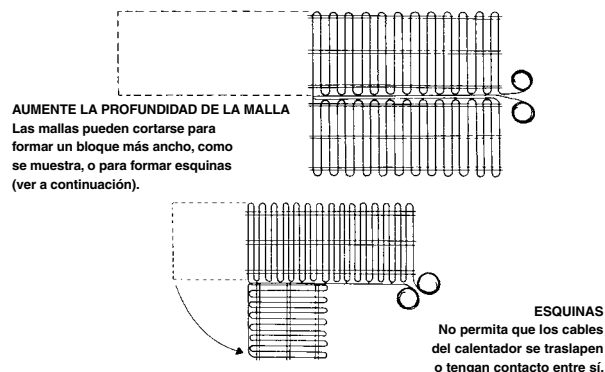


Figura 5: Alteraciones en la forma de la malla

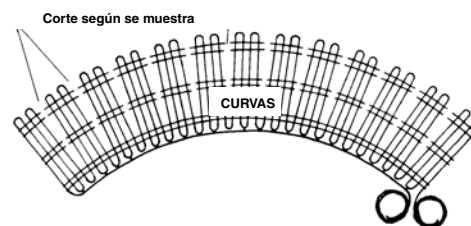


Figura 6: Curvas

**M1.** Comience todos los cortes en el lado opuesto al cable toma corriente y corte los hilos sujetadores hacia el lado del cable toma corriente.

**M2.** Para realizar una curva, corte los hilos sujetadores como se muestra en la Figura 7. La cantidad de cortes en los hilos sujetadores dependerá de la longitud de la malla y la curvatura de la superficie. Del mismo modo, puede alterarse la forma de la malla para formar un bloque más ancho o para circundar un objeto. Consulte las ilustraciones. Para garantizar un calentamiento adecuado, no permita que el espacio entre cables en el borde externo de la curva sea mayor al doble del espacio estándar entre cables.

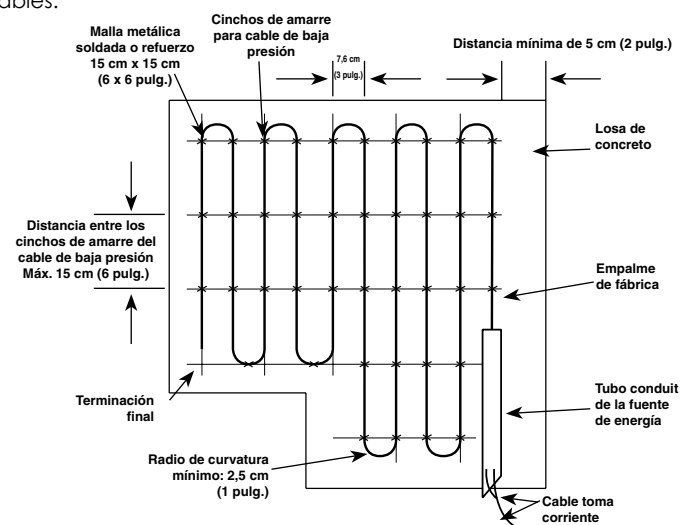


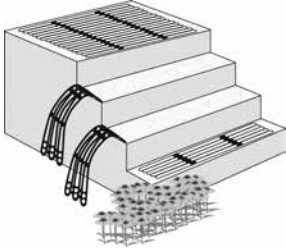
Figura 7: Instalación típica del kit de cables

# INSTALACIÓN EN CONCRETO

	Dos capas (sistemas de malla y cable)	Una capa (solo kits de cables)
<b>Ilustración</b>	<p>EE. UU. 40 mm (1 1/2 pulg.) mín. 90 mm (3 1/2 pulg.) máx.</p> <p>Superficie terminada</p> <p>Sistema Sno*Melter</p> <p>Canadá 50 mm (2 pulg.) mín. 90 mm (3 1/2 pulg.) máx.</p> <p>según se requiera</p> <p>Profundidad de colocación</p> <p>Aislamiento térmico (opcional)</p> <p>grava</p> <p>suelo</p> <p>Según sea necesario</p>	
	<b>Figura 8: Profundidad de colocación del concreto</b>	<b>Figura 9: Instalación de cables</b>
<b>Precaución</b>	<p>Por lo general, se aplica y nivela una capa base de concreto, inmediatamente después se colocan las mallas y luego se aplica el concreto restante. También es posible dejar que se cure la capa base de concreto, para luego colocar las mallas y después completar la aplicación de concreto. En el caso del enfoque de dos capas, se debe tener precaución para asegurarse de que la capa superior se una al concreto existente. La distancia desde la superficie acabada hasta el nivel en el cual se colocan las mallas se define como "profundidad de colocación de las mallas". Consulte la Figura 8. Sea precavido para que los cables o mallas no se desplacen durante la aplicación de las capas de concreto.</p>	
<b>C1A. Prueba inicial de los cables</b>	<p><i>Prueba de resistencia del aislamiento:</i> Conecte un megaóhmetro entre el cable de cobre trenzado de la conexión a tierra y los dos conductores conectados entre sí. Ponga el megaóhmetro en 500 voltios (mínimo) y mida la resistencia. La resistencia debe tener un valor mínimo de 50 megaohmios. Esta medición de prueba asegura que el cable no se ha dañado durante el envío o su manipulación posterior.</p> <p><i>Prueba de resistencia:</i> Conecte un ohmímetro entre los dos conductores del cable. Mida la resistencia. Asegúrese de que la resistencia sea la apropiada para el voltaje y vataje indicados. Repita la prueba anterior para cada cable usado en la instalación. Registre las lecturas en el Formulario de registro de prueba que se incluye con estas instrucciones.</p>	
<b>o bien</b>		
<b>C1B. Prueba inicial de la malla</b>	<p><i>Prueba de resistencia del aislamiento:</i> Conecte un megaóhmetro entre el cable de cobre trenzado de la conexión a tierra y el conductor interno que se encuentra en uno de los cables de la malla. Asegúrese de que el otro conductor esté aislado y de que el elemento de calentamiento no esté en contacto con el cable trenzado de la conexión a tierra. Ponga el megaóhmetro en 500 voltios (mínimo) y mida la resistencia. La resistencia debe tener un valor mínimo de 50 megaohmios. Esta medición de prueba asegura que la malla no se ha dañado durante el envío o su manipulación posterior.</p> <p><i>Prueba de resistencia:</i> Conecte un ohmímetro entre los conductores internos de dos cables de la malla. Mida la resistencia. Asegúrese de que la resistencia sea la apropiada para el voltaje y vataje indicados. Repita la prueba anterior para cada malla usada en la instalación. Registre las lecturas en el Formulario de registro de prueba que se incluye con estas instrucciones.</p>	
<b>C2. Aplicación de la base de concreto</b>	<p>Aplique concreto a la profundidad en que se va a colocar el Sno*Melter. Distribuya el concreto de forma tal que la superficie superior esté más o menos nivelada.</p>	N/D
<b>C3A. Instalación del cable</b>	<p>Instale la malla sobre la superficie de la aplicación base.</p> <p>La malla metálica soldada o el refuerzo a la medida deben seguir el contorno de las curvas y otras obstrucciones. Con los cinchos de amarre para cable de "baja presión" incluidos en el kit, fije los cables en su posición de acuerdo con el plano de montaje del Sno*Melter. Los cables se instalan en la malla metálica soldada o el refuerzo (consulte la Figura 9).</p>	<p>Instale la malla metálica soldada o el refuerzo en los montajes verticales.</p>
<b>o bien</b>		
<b>C3B. Instalación de mallas</b>	<p>Posicione las mallas de acuerdo con el plano de montaje del Sno*Melter, con todos los cables conductores asegurados dentro del concreto, y mantenga los espacios apropiados con respecto los bordes de las formas y entre las mallas adyacentes.</p> <p>Las mallas deben sujetarse en el material de refuerzo. Sea precavido para asegurarse de que la profundidad de colocación de la malla sea la correcta.</p>	N/D
<b>C4. Controles, sensores y cableado eléctrico</b>	<p>Posicione todos los controles y sensores que se instalarán dentro de la superficie y conecte todo el cableado y los tubos conduit. No conecte la fuente de energía todavía. Si es necesario, proporcione una protección adecuada para estos dispositivos durante la instalación de la superficie. Enrosque los hilos del cable toma corriente a través del tubo conduit hacia el interior de la caja de conexiones. Instale todo el cableado, el tubo conduit y los dispositivos de control asociados con la instalación de la superficie de acuerdo con el plano de montaje del Sno*Melter y el plano de cableado del Sno*Melter. Los tubos conduit deben extenderse hacia dentro de la superficie para garantizar que ningún cable quede expuesto. No conecte la fuente de energía todavía. Posicione y asegure las placas de identificación.</p>	
<b>C5. Segunda prueba</b>	<p>Vuelva a realizar la prueba del Sno*Melter de acuerdo con las lecturas registradas en la prueba inicial.</p>	
<b>C6. Capa final</b>	<p>Complete la superficie: aplique y nivele.</p>	
<b>C7. Prueba final</b>	<p>Vuelva a realizar la prueba del Sno*Melter de acuerdo con las lecturas registradas en la prueba inicial.</p>	



# INSTALACIÓN EN ESCALONES DE CONCRETO

	Dos capas (sistemas de malla y cable)	Una capa (solo kits de cables)
<b>Ilustración</b>		
	<b>Figura 10: Instalación en escalones de cemento</b>	
<b>Precaución</b>	<p>Por lo general, se aplica y nivela una capa base de concreto, inmediatamente después se colocan las mallas y luego se aplica el concreto restante. También es posible dejar que se cure la capa base de concreto, para luego colocar las mallas y después completar la aplicación de concreto. En el caso del enfoque de dos capas, se debe tener precaución para asegurarse de que la capa superior se una al concreto existente. La distancia desde la superficie acabada hasta el nivel en el cual se colocan las mallas se define como "profundidad de colocación de las mallas". Consulte la Figura 8.</p> <p>Sea precavido para que los cables o mallas no se desplacen durante la aplicación de las capas de concreto. Asegúrese de que los cables o las mallas en la porción de subida del escalón estén empotrados en concreto y mantenga los espacios libres apropiados con respecto a los bordes de las formas y entre sistemas adyacentes. Sea precavido para asegurarse de que la profundidad de colocación de la malla y los cables sea la correcta. Deje un espacio libre de 50 mm (2 pulgadas) desde el borde delantero del escalón.</p>	
<b>S1A. Prueba inicial de los cables</b>	<p><i>Prueba de resistencia del aislamiento:</i> Conecte un megaóhmetro entre el cable de cobre trenzado de la conexión a tierra y los dos conductores conectados entre sí. Ponga el megaóhmetro en 500 voltios (mínimo) y mida la resistencia. La resistencia debe tener un valor mínimo de 50 megaohmios. Esta medición de prueba asegura que el cable no se ha dañado durante el envío o su manipulación posterior.</p> <p><i>Prueba de resistencia:</i> Conecte un ohmímetro entre los dos conductores del cable. Mida la resistencia. Asegúrese de que la resistencia sea la apropiada para el voltaje y vataje indicados. Repita la prueba anterior para cada cable usado en la instalación. Registre las lecturas en el Formulario de registro de prueba que se incluye con estas instrucciones.</p>	
<b>o bien</b>		
<b>S1B. Prueba inicial de la malla</b>	<p><i>Prueba de resistencia del aislamiento:</i> Conecte un megaóhmetro entre el cable de cobre trenzado de la conexión a tierra y el conductor interno que se encuentra en uno de los cables de la malla. Asegúrese de que el otro conductor esté aislado y de que el elemento de calentamiento no esté en contacto con el cable trenzado de la conexión a tierra. Ponga el megaóhmetro en 500 voltios (mínimo) y mida la resistencia. La resistencia debe tener un valor mínimo de 50 megaohmios. Esta medición de prueba asegura que la malla no se ha dañado durante el envío o su manipulación posterior.</p> <p><i>Prueba de resistencia:</i> Conecte un ohmímetro entre los conductores internos de dos cables de la malla. Mida la resistencia. Asegúrese de que la resistencia sea la apropiada para el voltaje y vataje indicados. Repita la prueba anterior para cada malla usada en la instalación. Registre las lecturas en el Formulario de registro de prueba que se incluye con estas instrucciones.</p>	
<b>S2. Aplicación de la base de concreto</b>	Aplique concreto a la profundidad de aplicación del Sno*Melter (a una distancia no mayor de 2 pulgadas o 50 mm de la superficie acabada de los escalones) y, de manera aproximada, a nivel con todos los escalones.	N/D
<b>S3A. Instalación del cable</b>	Instale la malla metálica soldada o el refuerzo en la superficie de la aplicación base.	Instale la malla metálica soldada o el refuerzo en los montajes verticales.
<b>o bien</b>	Si es necesario, doble la malla metálica soldada para ajustarse a la forma de los escalones y a la posición de subida. Posicione el cable para el primer escalón de acuerdo con el plano de montaje del Sno*Melter. Coloque el cable en su posición según el plano de montaje del Sno*Melter. Con los cinchos de amarre para cable de "baja presión" incluidos en el kit, instale los cables en su posición de acuerdo con el plano de montaje del Sno*Melter. Los cables se instalan en la malla metálica soldada o en el refuerzo de cada escalón.	
<b>S3B. Instalación de mallas</b>	Posiciónelas de acuerdo con el plano de montaje del Sno*Melter. Las mallas deben sujetarse en el material de refuerzo.	N/D
<b>S4. Controles, sensores y cableado eléctrico</b>	<p>Posicione todos los controles y sensores que se instalarán dentro de la superficie y conecte todo el cableado y los tubos conduit. No conecte la fuente de energía todavía. Si es necesario, proporcione una protección adecuada para estos dispositivos durante la instalación de la superficie. Enrosque los hilos del cable toma corriente a través del tubo conduit hacia el interior de la caja de conexiones. Instale todo el cableado, el tubo conduit y los dispositivos de control asociados con la instalación de la superficie de acuerdo con el plano de montaje del Sno*Melter y el plano de cableado del Sno*Melter. Los tubos conduit deben extenderse hacia dentro de la superficie para garantizar que ningún cable quede expuesto. No conecte la fuente de energía todavía. Posicione y asegure las placas de identificación.</p>	
<b>S5. Segunda prueba</b>	Vuelva a realizar la prueba del Sno*Melter de acuerdo con las lecturas registradas en la prueba inicial.	
<b>S6. Capa final</b>	Complete la superficie, efectúe la aplicación y nivela. Repita los pasos 2 a 4 para los escalones restantes.	
<b>S7. Prueba final</b>	Vuelva a realizar la prueba del Sno*Melter de acuerdo con las lecturas registradas en la prueba inicial.	



# INSTALACIÓN EN ASFALTO Y DEBAJO DE PAVIMENTOS

	<b>Asfalto</b>	<b>Pavimentos</b>
<b>Ilustración</b>	<p style="text-align: center;"><b>Figura 12: Instalación de mallas en asfalto</b></p>	<p style="text-align: center;"><b>Figure 11: Instalación en banquetas residenciales, entradas o patios</b></p>
<b>Precaución</b>	<p>En asfalto sólo pueden instalarse las mallas Sno*Melter. Los kits de cables Sno*Melter no pueden instalarse en asfalto. El pavimento debe instalarse según las prácticas de construcción apropiadas, entre ellas el espacio correspondiente para drenaje, los refuerzos, etc.</p> <p>Las instalaciones inapropiadas de pavimento pueden dar como resultado superficies inestables que pueden fisurarse o moverse y quebrar los cables de calentamiento de la malla.</p> <p>El asfalto debe aplicarse en la obra a una temperatura inferior a 170 °C (340 °F). Agregados más grandes o temperaturas más altas dañarán el cable y provocarán fallas. Por lo general, se coloca una capa base de asfalto que se deja enfriar, para luego posicionar las mallas. Por último, se coloca la última capa de asfalto. (También es posible colocar mallas sobre una capa existente de asfalto que se está repavimentando). La profundidad de la malla debe ser la que se indica en la Figura 12.</p>	<p>Siga con cuidado las instrucciones del fabricante del pavimento y las directrices de la especificación técnica núm. 12 del Instituto de Pavimentos de Concreto (ICPI), para instalar sistemas Sno*Melter debajo de pavimentos. Se recomienda especialmente que un contratista de pavimentos experimentado realice esta instalación junto con un contratista eléctrico para la instalación de la malla. El diseño y la instalación del pavimento varían según el clima local, los materiales y las condiciones del suelo, entre ellas el drenaje y las cargas de uso esperadas.</p> <p>No instale el cable o la malla Sno*Melter dentro de ningún material que será una base de agregados compactada, ya que puede dañar el cable y causar la falla del sistema.</p> <p>La malla o cable Sno*Melter debe posicionarse en la base de un lecho de arena. El cable de calentamiento y el empalme a los cables que no calientan deben estar completamente dentro del lecho de arena. Consulte la Figura 11.</p>
<b>A1A. Prueba inicial de los cables</b>	<p><i>Prueba de resistencia del aislamiento:</i> Conecte un megaóhmetro entre el cable de cobre trenzado de la conexión a tierra y los dos conductores conectados entre sí. Ponga el megaóhmetro en 500 voltios (mínimo) y mida la resistencia. La resistencia debe tener un valor mínimo de 50 megaohmios. Esta medición de prueba asegura que el cable no se ha dañado durante el envío o su manipulación posterior.</p> <p><i>Prueba de resistencia:</i> Conecte un ohmímetro entre los dos conductores del cable. Mida la resistencia. Asegúrese de que la resistencia sea la apropiada para el voltaje y vataje indicados. Repita la prueba anterior para cada cable usado en la instalación. Registre las lecturas en el Formulario de registro de prueba que se incluye con estas instrucciones.</p>	
<b>o bien</b>		
<b>A1B. Prueba inicial de la malla</b>	<p><i>Prueba de resistencia del aislamiento:</i> Conecte un megaóhmetro entre el cable de cobre trenzado de la conexión a tierra y el conductor interno que se encuentra en uno de los cables de la malla. Asegúrese de que el otro conductor esté aislado y de que el elemento de calentamiento no esté en contacto con el cable trenzado de la conexión a tierra. Ponga el megaóhmetro en 500 voltios (mínimo) y mida la resistencia. La resistencia debe tener un valor mínimo de 50 megaohmios. Esta medición de prueba asegura que la malla no se ha dañado durante el envío o su manipulación posterior.</p> <p><i>Prueba de resistencia:</i> Conecte un ohmímetro entre los conductores internos de dos cables de la malla. Mida la resistencia. Asegúrese de que la resistencia sea la apropiada para el voltaje y vataje indicados. Repita la prueba anterior para cada malla usada en la instalación. Registre las lecturas en el Formulario de registro de prueba que se incluye con estas instrucciones.</p>	
<b>A2. Preparación de la base</b>	<p>Aplique y fije con un rodillo la capa base según lo indicado en la Figura 12. Si las mallas se colocarán sobre una superficie ya existente, asegúrese de que la superficie esté limpia y no tenga ningún material filoso que pueda perforar el cable de calentamiento de la malla durante la instalación.</p>	<p>Prepare adecuadamente el suelo y la base de agregados. Use contención de bordes para evitar la pérdida de arena, ya que esto puede provocar fallas en el sistema Sno*Melter. Instale la malla metálica de refuerzo.</p>

## INSTALACIÓN EN ASFALTO Y DEBAJO DE PAVIMENTOS *(continuación)*

<b>A3A. Instalación del cable</b>	N/D	Con los cinchos de amarre para cable de "baja presión" incluidos en el kit, instale los cables en su posición de acuerdo con el plano de montaje del Sno*Melter. Los cables se instalan en la malla metálica soldada o el refuerzo.
<b>o bien</b>		
<b>A3B. Instalación de mallas</b>	Posicione las mallas de acuerdo con el plano de montaje del Sno*Melter, con todos los cables conductores asegurados dentro de la forma, y mantenga los espacios apropiados con respecto los bordes de las formas y entre las mallas adyacentes.	Posiciónelas de acuerdo con el plano de montaje del Sno*Melter. Asegure la malla a una malla metálica con cinchos de nylon para amarre de cables, unidos SOLO A LOS SUJETADORES BLANCOS DE LA MALLA donde sea posible. Si deben usarse cinchos de amarre en el cable de calentamiento negro, déjelos un poco sueltos; NO los apriete completamente, ya que el amarre puede producir cortes en el cable y provocar fallos en el funcionamiento de la malla. Coloque las mallas sobre la base de agregados compactados (instalación en patios o banquetas) o sobre la base de concreto (instalación en entradas).
<b>A4. Controles, sensores y cableado eléctrico</b>	Posicione todos los controles y sensores que se instalarán dentro de la superficie y conecte todo el cableado y los tubos conduit. No conecte la fuente de energía todavía. Si es necesario, proporcione una protección adecuada para estos dispositivos durante la instalación de la superficie. Enrosque los hilos del cable toma corriente a través del tubo conduit hacia el interior de la caja de conexiones. Instale todo el cableado, el tubo conduit y los dispositivos de control asociados con la instalación de la superficie de acuerdo con el plano de montaje del Sno*Melter y el plano de cableado del Sno*Melter. Los tubos conduit deben extenderse hacia dentro de la superficie para garantizar que ningún cable quede expuesto. No conecte la fuente de energía todavía. Posicione y asegure las placas de identificación.	
<b>A5. Segunda prueba</b>	Vuelva a realizar la prueba del Sno*Melter de acuerdo con las lecturas registradas en la prueba inicial.	
<b>A6. Finalización de la superficie</b>	Proceda con la capa superior. Se recomienda cubrir toda la malla en una capa continua. <i>Nota: No vuelque grandes cantidades de asfalto caliente, mayores a 6 pulg., sobre las mallas. La temperatura puede dañar el cable de calentamiento.</i>	Complete la superficie del pavimento.
<b>A7. Prueba final</b>	Vuelva a realizar la prueba del Sno*Melter de acuerdo con las lecturas registradas en la prueba inicial. Para instalaciones en asfalto, realice una prueba una vez que el asfalto se haya enfriado a temperatura ambiente.	

# CONEXIONES Y MANTENIMIENTO

## Cableado e identificación

Una vez que se cura el concreto o se enfría el asfalto a temperatura ambiente, pueden completarse las conexiones operativas a los controles y la fuente de energía según el plano de cableado del Sno\*Melter. Aplique etiquetas de advertencia "PRECAUCIÓN: NIEVE Y HIELO DERRETIDOS" en la fuente de energía y en la cercanía de la superficie calentada.

## Mantenimiento

Se recomienda inspeccionar el sistema antes del invierno.

- Las pruebas anuales de resistencia del aislamiento (con megaohmetro) serán indicativas de la integridad del cable. Estos valores deben registrarse y compararse todos los años.
- El rendimiento del calentamiento debe verificarse mediante la medición y registro del consumo de corriente para cada circuito entre 2 y 5 minutos después de la puesta en funcionamiento. También debe registrarse la temperatura de la losa. Un método alternativo para la verificación del desempeño de calentamiento, es humedecer una sección de la losa y monitorear el secado después de poner en funcionamiento el calentador.
- Deberían resolverse los cambios más importantes en la resistencia del aislamiento o de la corriente del calentador.
- Deben inspeccionarse las cajas de juntas a fin de que no exista agua o rastros de ingresos de agua. Si hay humedad, el gabinete debería secarse, así como se deberían identificar y reparar las causas de ingreso de agua.
- Las superficies deben inspeccionarse anualmente para comprobar que no existan fisuras, cables expuestos, etc. y deben sellarse según sea necesario con material cementoso o compatible con asfalto.

Si acaso crece pasto o hierbas entre las grietas del pavimento, debe tenerse cuidado al usar herramientas para cortarlos; en caso contrario, pueden dañarse las mallas o los cables. El plano de montaje del Sno\*Melter y el plano de cableado del Sno\*Melter deben guardarse para ser usados como referencia en el futuro.

## CLASIFICACIONES MÁXIMAS DE UL – SOLO PARA KITS DE CABLES SNO\*MELTER

Voltios	Pies	Ancho del cable	Ancho en pies	Ancho en pies cuadrados
120	250	3117	12,5	46,5
240	500	6234	12,5	48
208	435	5382	12,5	49
265	560	6786	12,5	50
277	580	7159	12,7	49
347	925	8987	12,5	48
480	1000	12 468	12,5	48
600	1250	15 584	12,5	48

## GARANTÍA Y RESPONSABILIDAD LIMITADAS

EasyHeat garantiza que si existe cualquier defecto de material o mano de obra en cualquier cable de calentamiento o accesorio ("PRODUCTOS") durante el año siguiente a la fecha de compra (a menos que EasyHeat especifique lo contrario por escrito) proporcionaremos nuevos productos para reemplazar cualquier artículo defectuoso o reembolsaremos el precio de compra pagado por el accesorio o el cable, sin incluir ningún costo de mano de obra ni otros tipos de costos de instalación. Como alternativa, podremos optar por reparar el cable o accesorio en nuestra fábrica, con todos los costos de envío y otros costos de extracción a cuenta del comprador.

Nuestra obligación de proporcionar productos nuevos, reembolsar el precio de compra o realizar las reparaciones descritas anteriormente está sujeta a dos condiciones: (a) que la instalación del accesorio o del cable se haya realizado de acuerdo con las especificaciones establecidas en nuestras instrucciones de instalación y (b) que el accesorio o el cable no se hayan dañado a causa de actividades mecánicas o eléctricas no relacionadas con el funcionamiento del accesorio o del cable.

**El reembolso de su precio de compra, la provisión de productos de reemplazo o la reparación del accesorio o cable según se describe anteriormente será su único y exclusivo beneficio obtenido por el incumplimiento de la presente garantía. ESTAS SON LAS GARANTÍAS ÚNICAS Y EXCLUSIVAS OTORGADAS POR EASYHEAT CON RESPECTO A LOS PRODUCTOS. REEMPLAZA Y EXCLUYE A TODAS LAS DEMÁS GARANTÍAS, EXPRESAS O IMPLÍCITAS, QUE SURGEN DE LA LEY O DE OTRA FUENTE. INCLUYE, ENTRE OTROS ASPECTOS, LA COMERCIABILIDAD O IDONEIDAD PARA UN PROPÓSITO EN PARTICULAR, SIN PERJUICIO DE QUE EL PROPÓSITO O USO SE HAYA DIVULGADO O NO A EASYHEAT EN ESPECIFICACIONES, PLANOS O DE OTRA MANERA, Y DE QUE LOS PRODUCTOS DE EASYHEAT ESTÉN O NO DISEÑADOS O FABRICADOS ESPECÍFICAMENTE POR EASYHEAT PARA EL USO O PROPÓSITO DEL COMPRADOR.**

Esta garantía no se extiende a ninguna pérdida o daño ocasionados por uso indebido, accidentes, abusos, descuido, uso y desgaste normales, negligencia, modificaciones o alteraciones no autorizadas, usos que excedan la capacidad nominal indicada o instalaciones, aplicaciones o tareas de mantenimiento incorrectas. En la medida en que usted o sus agentes hayan suministrado especificaciones, información, declaración de las condiciones de operación u otros datos a Easyheat para la selección o el diseño de los Productos y la preparación de la cotización de Easyheat, y en el caso de que las condiciones de operación reales u otras condiciones difieran de las declaradas por usted, las garantías o disposiciones aquí expresadas que se vean afectadas por dichas condiciones quedarán anuladas.

Si, en el plazo de treinta (30) días a partir del descubrimiento del Comprador de cualquier defecto cubierto por la garantía, dentro del período de garantía, usted se lo notifica a Easyheat por escrito, Easyheat deberá, a su discreción, reparar o reemplazar esa parte de los productos que Easyheat consideró defectuosa, o reembolsar su precio de compra F.O.B. en el punto de fabricación. Si no otorga dicha notificación por escrito dentro del plazo aplicable, se considerará que renunció de forma absoluta e incondicional a la reclamación por dichos defectos. Los Productos reparados o reemplazados durante el período de garantía estarán cubiertos por la garantía anterior durante el período restante de la garantía original o durante noventa (90) días desde la fecha de envío de los bienes reparados o reemplazados, el plazo que sea más extenso.

**La presente garantía limitada no cubre los costos relacionados con la reparación o el reemplazo de ningún accesorio o cable en el sitio de la obra.** Nuestros accesorios y cables no son de fácil acceso. Por lo general, un accesorio o un cable defectuoso no pueden repararse con facilidad. Para reemplazar un accesorio o un cable defectuoso, se deberán extraer los materiales debajo de los cuales están empotrados a fin de permitir el reemplazo del accesorio o del cable. **No reembolsaremos ningún costo relacionado con la reparación o el reemplazo de ningún accesorio o cable en el sitio de la obra.**

**EN NINGÚN CASO, INDEPENDIEMENTE DE LA FORMA DE LA RECLAMACIÓN O DE UNA CAUSA JUDICIAL (YA SEA COMO RESULTADO DE UN CONTRATO, INFRACCIÓN, NEGLIGENCIA, RESPONSABILIDAD CIVIL, ILÍCITO CIVIL O BAJO OTRAS CIRCUNSTANCIAS), LA RESPONSABILIDAD DE EASYHEAT CON USTED O CON SUS CLIENTES EXCEDERÁ EL PRECIO QUE USTED HAYA PAGADO POR LOS PRODUCTOS ESPECÍFICOS PROPORCIONADOS POR EASYHEAT QUE PROVOCARON DICHA RECLAMACIÓN O CAUSA JUDICIAL. POR LA PRESENTE, USTED ACEPTA QUE NO SEREMOS RESPONSABLES ANTE USTED O ANTE SUS CLIENTES POR NINGÚN DAÑO INCIDENTAL, ESPECIAL, RESULTANTE O PUNITIVO. Ningún agente, empleado o representante nuestro tiene autoridad para vincularnos por cualquier afirmación, declaración o garantía realizada que esté relacionada con los productos vendidos, a menos que dicha afirmación, declaración o garantía esté específicamente incorporada mediante un acuerdo escrito.**

Para obtener productos nuevos, hacer arreglos para la reparación de un producto existente u obtener un reembolso en virtud de esta garantía, comuníquese con EasyHeat con una descripción del defecto y una prueba de compra a la dirección incluida en la presente.

**EE. UU.:**  
EASYHEAT, INC.  
c/o EGS Electrical Group LLC  
2 Connecticut South Drive,  
East Granby, CT 06026  
800-537-4732

**Canadá:**  
EASYHEAT, LTD.  
99 Union Street  
Elmira, ON N3B 3L7  
800-794-3766



EasyHeat is our premium line of residential and commercial heating cable products under EGS Electrical Group, a division of Emerson Industrial Automation.

Emerson Industrial Automation brings integrated manufacturing solutions to diverse industries worldwide. Our comprehensive product line, extensive experience, world-class engineering and global presence enable us to implement solutions that give our customers the competitive edge.

For over 150 years, our electrical product brands have been providing a rich tradition of long-term, practical, high quality solutions with applications ranging from the construction and safe operation of petrochemical and process plants to providing quality power that precisely controls automotive robotic production.

Engineers, distributors, contractors, electricians and site maintenance professionals around the world trust Emerson Industrial Automation brands to make electrical installations safer, more productive and more reliable.

EGS is organized into three focused businesses that provide distributors and end-users expert knowledge and excellent service.

#### Electrical Construction Materials

This group manufactures a broad range of electrical products including conduit and cable fittings, plugs and receptacles, enclosures and controls, conduit bodies, and industrial lighting. Whether the application is hazardous location, industrial, or commercial, the ECM group has the products to meet your needs.

#### Power Quality Solutions

This group offers the broadest power quality line including UPS, power conditioners, voltage regulators, shielded transformers, surge suppression devices and power supplies.

#### Heating Cable Systems

This group offers a broad range of electrical heating cable products for residential, commercial, and industrial applications.

#### Electrical Construction Materials

 **Appleton**<sup>®</sup>

**OZGEDNEY**

 **Nutsteel**<sup>®</sup>

#### Power Quality Solutions

**SOLAHD**

#### Heating Cable Systems

**EASYHEAT**<sup>®</sup>

**NELSON**

EGS Electrical Group  
9377 W. Higgins Road  
Rosemont, IL 60018  
1.800.537.4732  
[www.easyheat.com](http://www.easyheat.com)

Canada  
800.794.3766