

VOLVO SINGLE DRUM COMPACTORS

# SD115

11.8-12.3 t 148-173 hp



# POWERFUL PERFORMANCE.

The SD115 provides the energy, reliability and strength you need, when you need it. Powerful drum performance enables you to achieve high density levels in a shorter amount of time. More power, greater efficiency: it's standard with the SD115.



## Frequency choices

Vibration frequency is easily adjusted to compensate for changing soil types and conditions – increasing productivity and performance. For even greater versatility, a unique five frequency feature is also available.



## Drum forces

Dynamic drum forces are increased or decreased with the flip of a switch to adapt to a range of conditions – from thin soil layers and easy-to-compact materials to thick lifts of more difficult-to-compact materials and for cohesive or granular soils.



5 Frequencies



High amplitude

Low amplitude



## Articulation/oscillation joint

The center joint provides +/- 38 degrees of articulation left and right for maneuverability and +/- 17 degrees of drum frame to tractor frame oscillation for stable, flexible and uniform machine performance and greater operator comfort over rough terrain. Because the drum stays in full contact with the material surface, compaction is uniform.



## Axle and Ultra-Grade® Traction System

Heavily constructed axle is integrated in the drive train for efficient rear-wheel drive. No-Spin® differential axle increases traction and precludes tire slippage, improving gradeability, performance and productivity. With the unique Ultra-Grade® Traction System as an option, the SD115 is surefooted and stable when operating on steep inclines or slippery surfaces.



#### High centrifugal forces

A combination of high centrifugal force, high amplitude and drum weight delivers the energy necessary to achieve excellent compaction, increased machine productivity and enhanced performance. With the SD115, you get material target density in fewer passes.

# THE VOLVO EXPERIENCE.

The SD1 15 is designed with all of your compaction applications in mind. With features to help you tackle even the most demanding jobs, the SD1 15 gives you the quality, reliability and safety that you expect from Volvo. Compaction becomes easier, more efficient and more effective.

## All-around visibility

The seated operator has 1 meter by 1 meter visibility, increasing jobsite safety and decreasing the possibility of equipment damage due to bumps and scrapes.

## New Volvo display

Centrally located LCD display panel provides clear and easy to understand information to the operator. A user friendly diagnostic system is also integrated into the panel.



## Leveling blade

Optional steel blade with wear-hardened cutting edge handles leveling and backfilling jobs, increasing machine utility and versatility and eliminating the need for extra equipment on site.

## Clamp-on padfoot shell

Optional two-piece shell kit and easily interchangeable scraper bar easily convert the smooth drum into a versatile padfoot drum for changing job applications. Installation can be completed in less than one hour with few tools and minimal equipment.

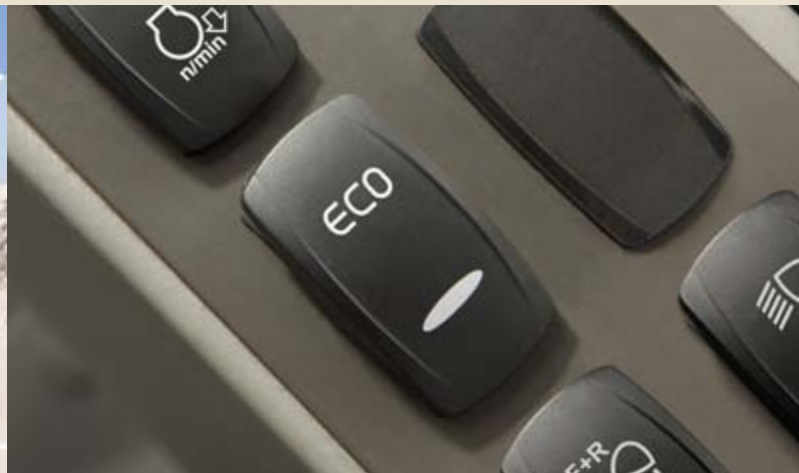
### Angled drum frame

The angled drum frame ensures clearance in the approach to steep slopes and when loading. The design eliminates the possibility of digging into the slope and prevents damage to the machine.



### Smart power

Optional feature which reduces engine RPM when the compaction application does not require full power. Smart power decreases machine noise and increases fuel efficiency.



### Cab

The optional industry-leading cab provides comfort and flexibility for the operator, along with excellent all-around visibility. Controls and instruments are well-designed and ideally located. The adjustable, ergonomic seat, spacious interior and high-performing heating and air conditioning further enhance the operator's environment.



### Beacon and lights

Available as an option, work lights enable machine operation to continue after dark, increasing uptime while enhancing visibility for greater safety. Road lights allow safer machine transport, while the beacon promotes caution on the jobsite.

# PACKED WITH BENEFITS.

## ROPS/FOPS safety

Provides peace of mind and safety by protecting the operator in the event of machine rollover and/or overhead falling objects.

## Two-speed transmission

Hydrostatic axle drive is equipped with a two-speed, variable piston transmission, for optimum work and transport speeds.



## High Centrifugal Forces

Easily and variably adjustable from the operator's console, allowing versatile adjustment of force due to soil types and conditions.



## High and low drum amplitude

Control panel switch provides a choice between high and low amplitude for application or material depth flexibility.

## Clamp-on padfoot shell

Optional shell with scraper bar easily converts the smooth drum into a padfoot drum.



## Variable frequencies

Two frequencies (five frequencies optional) are easily adjustable from the console for different soil types and conditions.



## Stable maneuvering

Articulation joint provides +/- 17-degree oscillation angle and frame articulation of +/- 38 degrees, for greater stability and maneuverability.





**All-around visibility**

Excellent all-around visibility increases jobsite safety between personnel and decreases possibility of equipment damage.

**Back-up alarm**

Alarm automatically sounds when the machine is put in reverse, providing greater operator and site safety.

**Powerful Volvo engine**

The emission regulations certified Volvo Tier IVi engine delivers powerful, dependable performance. Optional smart power reduces fuel consumption by decreasing RPM.

**No-Spin® axles**

Heavy-duty, No-Spin® differential axles provide increased traction and gradeability by restricting the two wheels to the same rotational speed.

**Seat switch with delay**

Seat switch will shut down the engine if the operator leaves the seat for more than five seconds.



**Daily checkpoints**

Key daily checkpoints are conveniently and accessibly positioned for easy maintenance.

# INTUITIVE MAINTENANCE.

Taking care of your compactor shouldn't be complicated. Volvo makes maintenance straightforward with helpful features including a machine-mounted service chart and comprehensive, detailed operations manuals. And with the SD115, environmental care is built right in – from the powerful Tier IVi engine down to the newly designed hydraulic fill.



## Maintenance checkpoints

Key checkpoints are conveniently located within easy reach at ground level so that important maintenance tasks don't go overlooked. Sight gauges permit inspection of fluid levels and eliminate the need to open tank caps to perform simple checks.

## Engine hood

The redesigned rear-hinged engine hood gives excellent, unobstructed ground-level access to the engine and major hydraulic components.

## Dealer support comes standard

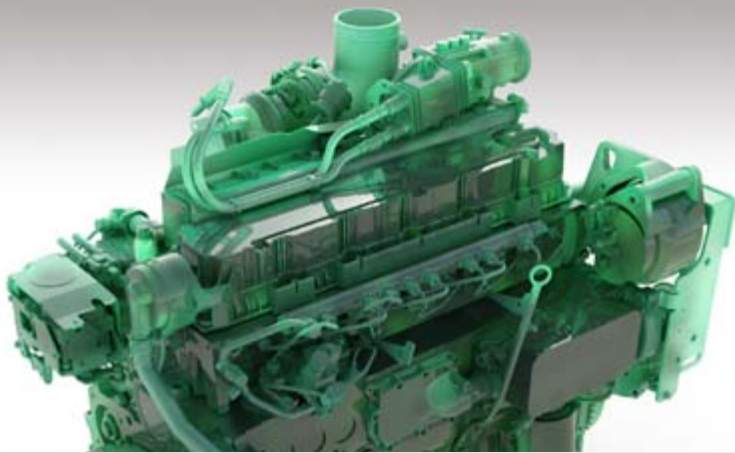
Your local Volvo dealer backs you and your operation with a ready supply of genuine Volvo parts that are perfectly matched to your machine. Your dealer is also ready to help you keep working with expert, trained service and support.





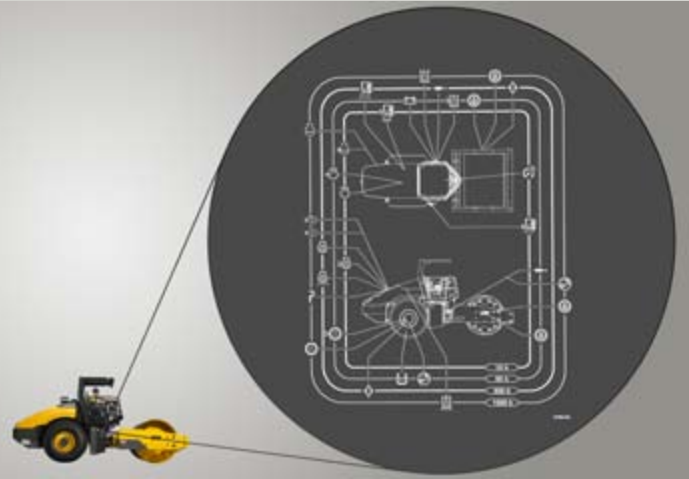
### Tier IVi engine

The powerful engine you expect from Volvo now comes Tier IVi certified and available in D4 and D6 versions. Perfectly matched power trains and components maximize performance in any application, all while achieving excellent fuel economy.



### Service chart

Easy to understand and mounted to the fuel tank, the service chart details service intervals, checkpoints and lubrication information. Ensures that proper lubrication and maintenance procedures are followed on time and as directed, contributing to long life of the machine.



### Tiltable operator platform

The forward-tilting operator platform provides convenient, unobstructed access at ground-level for easier hydraulic repairs.



### Hydraulic test ports

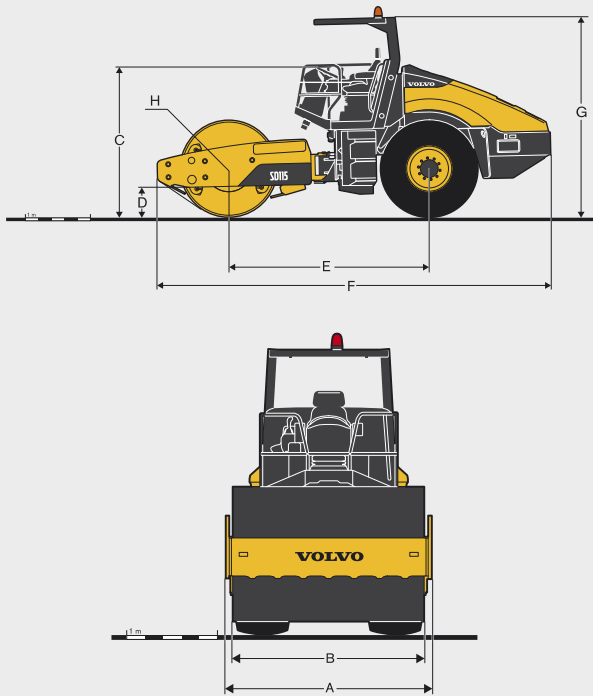
Hydraulic test ports are conveniently grouped and located, improving the quality of troubleshooting and decreasing the time of pressure testing. These eliminate the need to open the hydraulic circuit, therefore preventing contamination or possible leaks.

# SPECIFICATIONS.

Model			SD115							
Engine			4 Cylinder				6 Cylinder			
Drum type			Smooth		Padfoot		Smooth		Padfoot	
<b>Machine Weights (inc. ROPS)*</b>										
Operating Weight (CECE)	kg	(lb)	11 650	(25,690)	11 800	(26,020)	11 850	(26,130)	12 000	(26,460)
Static Weight @ Drum	kg	(lb)	6 411	(14,136)	6 910	(15,236)	6 209	(13,692)	6 910	(15,236)
Static Weight @ Tires	kg	(lb)	4 639	(10,230)	4 762	(10,500)	4 639	(10,230)	4 762	(10,500)
Shipping Weight	kg	(lb)	11 662	(25,717)	11 662	(25,717)	11 836	(26,100)	11 662	(25,717)
<b>Drum</b>										
Width	mm	(in)	2 134	(84)	2 134	(84)	2 134	(84)	2 134	(84)
Diameter	mm	(in)	1 500	(59)	-	-	1 500	(59)	-	-
Shell Thickness	mm	(in)	25	(1)	-	-	25	(1)	-	-
Diameter Over Pad Feet	mm	(in)	-	-	1 550	(61)	-	-	1 550	(61)
Pad Feet	number of		-	-	112		-	-	112	
Pad Height	mm	(in)	-	-	127	(5)	-	-	127	(5)
Pad Tip Area	cm <sup>2</sup>	(sq in)	-	-	135.3	(21)	-	-	135.3	(21)
<b>Vibration</b>										
Frequency	Hz/vpm		31/34	1,850/ 2,025	28/34	1,650/ 2,025	31/34	1,850/ 2,025	28/34	1,650/ 2,025
Optional 5 settings	Hz (vpm)		23.3/23.8/25.8/28.3/33.8 (1,400/1,425/1,550/1,700/2,025)							
Centrifugal Force	High	kN (lb)	258	(58,000)	271	(61,000)	258	(58,000)	271	(61,000)
	Low	kN (lb)	207	(46,600)	264	(59,400)	207	(46,600)	264	(59,400)
Nominal Amplitude	High	mm (in)	1.92	(0.076)	2.14	(0.084)	1.92	(0.076)	2.14	(0.084)
	Low	mm (in)	1.37	(0.054)	1.39	(0.055)	1.37	(0.054)	1.39	(0.055)
<b>Propulsion</b>										
Type System	Hydrostatic									
Tire Size	587 x 660 (23.1 x 26) 8PR TT									
Drum Drive	Planetary gear reduction									
<b>Travel Speed</b>										
	High	km/h (mph)	9.8	(6.1)	9.6	(6.0)	12.8	(8.0)	12.5	(7.8)
	Low	km/h (mph)	0-5.9	(0-3.7)	0-5.7	(0-3.5)	0-4.9	(3.1)	0-4.8	(0-3)
<b>Engine</b>										
Make / Model	Volvo D4				Volvo D6					
Engine Type	Turbocharged 4-cylinder				Turbocharged 6-cylinder					
Rated Power @ Installed Speed	kW (hp)		110	(147.5)	110	(147.5)	129	(173)	129	(173)
<b>Electrical System</b>										
Positive grounded	Volt		24							
Alternator	120 Amps									
Batteries	CCA		2x1 125							
<b>Brakes</b>										
Service	Dynamic hydrostatic through propulsion system									
Parking / Secondary	Spring-applied, hydraulically released on axle									
<b>Miscellaneous</b>										
Articulation Angle	°		+/- 38		+/- 38		+/- 38		+/- 38	
Oscillation Angle	°		+/- 17		+/- 17		+/- 17		+/- 17	
Fuel Capacity	L (gal)		256.2	(67.7)	256.2	(67.7)	256.2	(67.7)	256.2	(67.7)
Hydraulic Oil Capacity	L (gal)		106	(28)	106	(28)	106	(28)	106	(28)
Gradeability (theoretical)	%		70		70		85		85	

Product improvement is a continuing goal at Volvo. Designs and specifications are subject to change without notice or obligation.

\* Weight with cab installed: 11 882 kg / 26,200 lb



#### DIMENSIONS

	Smooth drum		Padfoot drum	
	mm	(in)	mm	(in)
<b>A</b>	2 286	(90")	2 286	(90")
<b>B</b>	2 134	(84")	2 134	(84")
<b>C</b>	2 253	(89")	2 278	(90")
<b>D</b>	478	(19")	478	(19")
<b>E</b>	3 095	(122")	3 095	(122")
<b>F</b>	6 068	(239")	6 068	(239")
<b>G</b>	3 091	(122")	3 146	(124")
<b>H</b>	750	(30")	775	(31")

#### SELECTION OF VOLVO OPTIONAL EQUIPMENT

Inside scraper



First aid kit and extinguisher brackets



Impact and VPM meter



Leveling blade



Diamond tread and traction tire



Flow divider traction system



# VOLVO CONSTRUCTION EQUIPMENT

Volvo Construction Equipment is different. Our machines are designed, built and supported in a different way. That difference comes from an engineering heritage of over 175 years. A heritage of thinking first about the people who actually use the machines. About how to help them be safer, more comfortable, more productive. About the environment we all share. The result of that thinking is a growing range of machines and a global support network dedicated to helping you do more. People around the world are proud to use Volvo.

Not all products are available in all markets. Under our policy of continuous improvement, we reserve the right to change specifications and design without prior notice. The illustrations do not necessarily show the standard version of the machine.

# **VOLVO**

**Volvo Construction Equipment**  
[www.volvoce.com/na](http://www.volvoce.com/na)

Ref. No. 20026142-A  
Printed in USA 09/12 - 0,0  
Volvo, Asheville  
Copyright © 2012 Volvo

English  
USA