

Reliability in Action

LG959

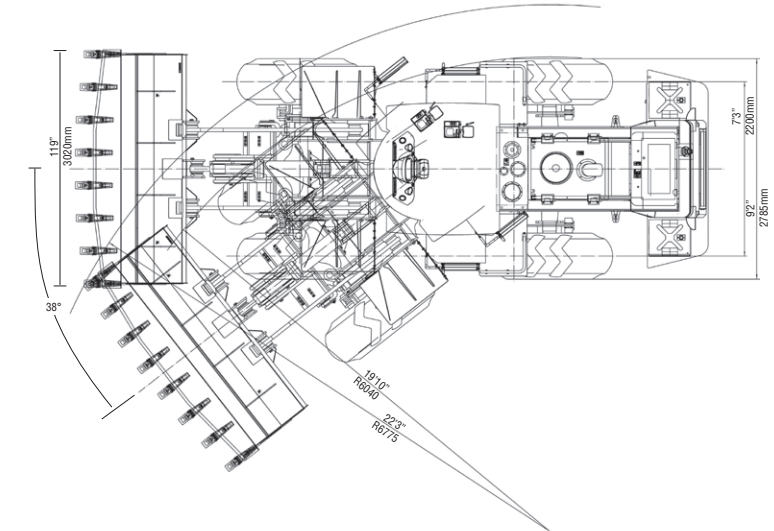
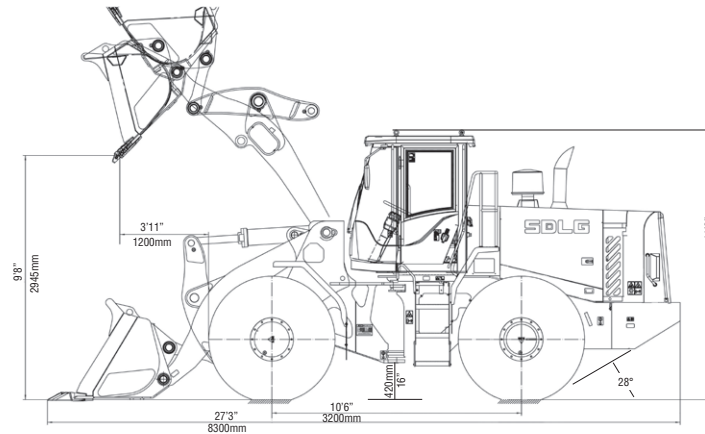


SDLG2219298





# LG959 Wheel Loader



## LG959 Standard Features

- Deutz 7.1 liter, tier 3-certified engine with reversible cooling fan
- ZF 4WG200 powershift transmission
- ZF limited slip axles with internal wet brakes
- Air conditioned operator cab with AM/FM radio and USB interface
- Cab is ROPS / FOPS - ISO EN 3449, ISO EN 3471, ISO EN 3164
- Single lever control with separate third function
- Hydraulic quick coupler - ISO Interface - in cab actuation switch
- Full powered third function hydraulics
- General purpose bucket - 4.0 yd<sup>3</sup> with bolt-on edge
- 12 Month/1500 hour warranty (conditions apply)

## Optional Equipment

- Long Boom (+11" (267mm) in dump height, +5" (105mm) in reach)
- Boom Suspension System
- 23.5R25 L3 tubeless tires (radial)
- Light Material Bucket - 5.9 yd<sup>3</sup> (4.5 m<sup>3</sup>) with bolt on edge
- Quick attach fork lift frame with 49" (1245mm) fork tines

Specifications Brief		
Max Power, 1500 rpm	224 hp	167 kW
Max Torque, 1500 rpm	777 lbf-ft	1,053 Nm
Bucket Capacity	4.0 yd <sup>3</sup>	3.1 m <sup>3</sup>
Rated Load	10,000 lbs	4,535 kg
Full Turn Tipping Load	22,490 lbs	10,200 kg
Breakout Force	34,170 lbf	152 kN
Rimpull	35,970 lbf	160 kN
Operating Weight	38,250 lbs	17,350 kg

Rated load with standard bucket & arm with hydraulic quick coupler

Specifications are subject to change without prior notice from SDLG North America in line with the continuous improvement program from SDLG

Engine		
Model	Deutz D7E LAE3 (Tier 3)	
Type	6 cyl, 4-stroke, turbocharged, water-cooled, high-pressure common rail fuel injection system	
Max Gross Power, 1500 rpm	224 hp	167 kW
Max Net Power, 1500 rpm	194 hp	145 kW
Max Torque, 1500 rpm	777 lbf-ft	1053 Nm
Displacement	433 in <sup>3</sup>	7.1 l

Drivetrain				
Type	Countershaft			
Travel Speed	Gear	Forward	Reverse	
	1st	4.3 mph, 7.0 kph		
	2nd	7.4 mph, 12.0 kph		
	3rd	15.0 mph, 24.0 kph		
	4th	22.4 mph, 36.0 kph		
Torque Converter	Type	3 Elements, Single Phase, Single Turbine, Hydraulic Converter, liquid-cooled		
	Torque Multiplication	2.55		
	Oil Inlet Pressure	123 PSI	0.85 MPa	
	Oil Outlet Pressure	73 PSI	0.5 MPa	
	Transmission: ZF 4WG200	Type	Electric Over Hydraulic Powershift	
Pump		Internal Gear Pump		
Working Pressure		203 - 232 PSI	1.4 - 1.6 PSI	
Transmission Ratio		Forward, 1st	4.278	
		Forward, 2nd	2.368	
		Forward, 3rd	1.126	
		Forward, 4th	0.648	
		Reverse, 1st	4.278	
		Reverse, 2nd	2.368	
Axles: ZF, Limited Slip		Main Drive	Type	Single-Stage, Spiral Bevel
	Reduction Gear Ratio		3.7	
	Final Drive	Type	Single-Stage, Planetary	
Reduction Gear Ratio	6.35			
Tires	Type	23.5-25 20-Ply Tubeless		
	Tire Pressure	Front	56.0 PSI, 0.39 MPa	
		Rear	48.0 PSI, 0.33 MPa	
Brakes	Service Brake	Hydraulically actuated, wet disc brakes actuate all 4 wheels		
	Parking Brake	Fully Hydraulic, Drum Brake		
	Brake Oil Pressure	800 PSI	5.5 MPa	

Steering System	
Type	Load sensing, fully hydraulic articulated steering
Steering Pump	Gear Driven Hydraulic Pump
Steering Pressure	2320 PSI 16.0 MPa
Steering Flow	51 gpm 193 lpm
Steering Cylinders: Cylinder Bore x Piston Rod Diameter x Stroke	Double Acting 90 x 50 x 327 mm 3.5" x 2.0" x 12.9"

Hydraulic System	
Type	Single Lever Control with Separate Third Function
Main System Pump	Gear Driven Hydraulic Pump
System Pressure	2610 PSI 18.0 MPa
System Flow	66.0 gpm 250.0 lpm
Boom Cylinder: Cylinder Bore X Piston Rod Diameter X Stroke	Double Acting 170 x 90 x 774 mm 6.7" x 3.5" x 30.4"
Bucket Cylinder: Cylinder Bore x Piston Rod Diameter x Stroke	Double Acting 200 x 100 x 550 mm 7.9" x 3.9" x 21.6"
Lift Time, Loaded	≤6.69 s
Dump Time, Empty	≤1.13 s
Lower Time, Empty	≤4.82 s
Total Time	≤12.64 s

Electrical System	
Voltage	24.0 V
Batteries	2 X 12 V
Battery Capacity	120.0 Ah
Cold Cranking Amps	850.0 CCA
Alternator Rating	2400 W, 100 A
Starter Motor Output	4.0 kW

Service		
Fuel Tank	79.2 gal	300.0 l
Hydraulic Oil Tank	55.4 gal	210.0 l
Engine Oil	5.7 gal	21.5 l
Engine Coolant	7.4 gal	28.0 l
Main Drive, Axle	9.0 gal	34.0 l
Final Drive, Axle	9.0 gal	34.0 l
Transmission	9.2 gal	35.0 l