

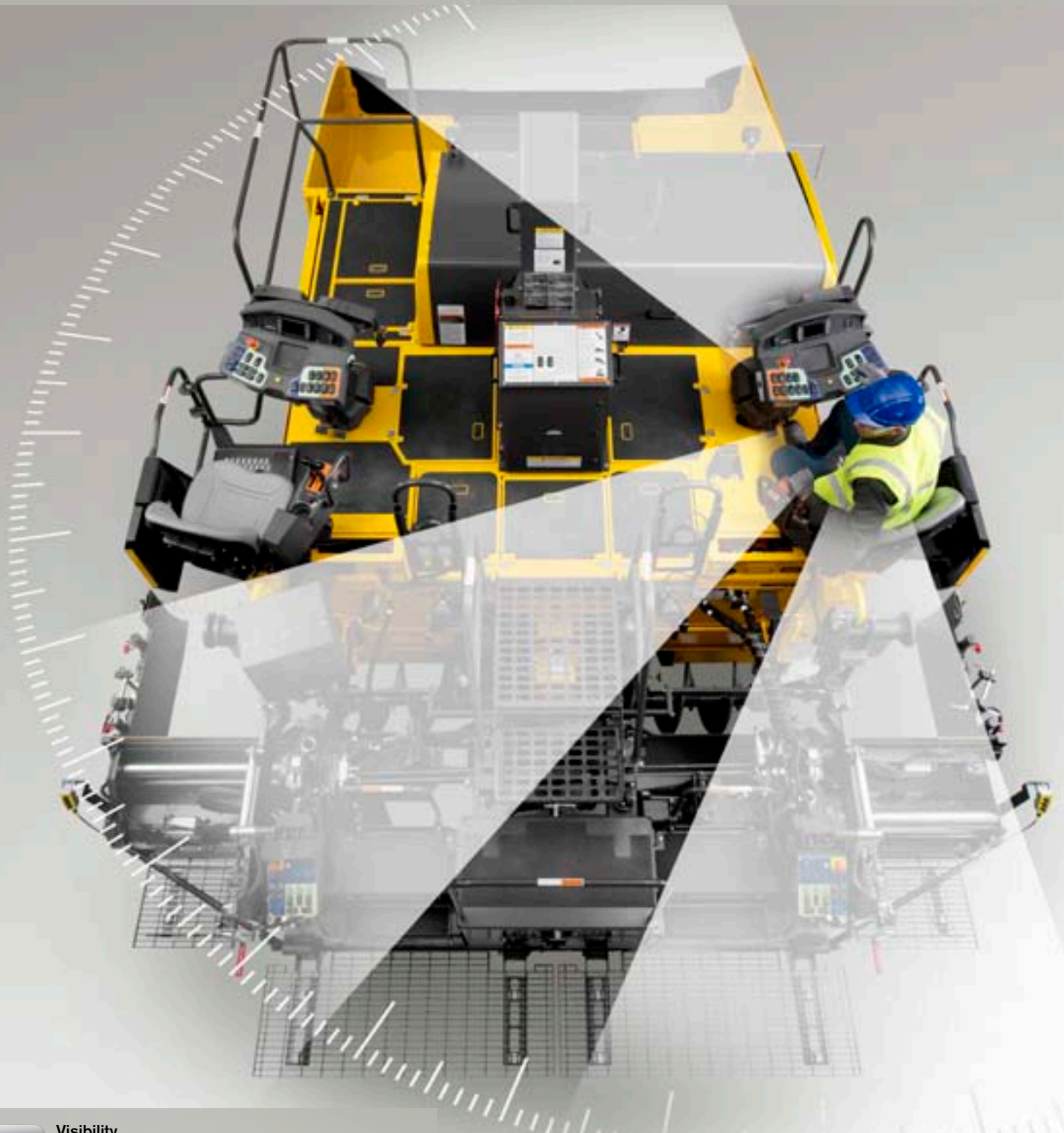
VOLVO TRACKED AND WHEELED PAVERS

# P7110, P7170

10 - 26 ft 235 hp



# ALL-AROUND VISIBILITY.



## Visibility

Benefit from supreme visibility of the entire paving process. Volvo pavers provide unobstructed views of material flow from the delivery vehicle, to the auger tunnel and end gate.

Born from the Blaw-Knox legacy, Volvo offers you 360° paving visibility. With seats that can be extended beyond the edge of the paver and an unobstructed view of the auger tunnel and hopper – the operator has an excellent view of material flow for ultimate paving quality. Capitalize on industry-leading visibility and see your work from every angle with Volvo pavers.

#### Operator platform

Volvo's unique, low profile, single level platform has been designed for ease of operator movement and safety. The design allows for temporary storage of belongings and tools.

#### Safe access

Large steps, handrails and anti-slip platform plates provide safe and easy access to the screed platform.



#### Control consoles

Two consoles allow the paver to be operated from the left or right side of the machine. The consoles rotate and tilt to align with the adjustable seats for comfort, enhanced visibility and productive operation. Paving controls are intuitively grouped by function. Switches are backlit and labelled with icons and text for ease of identification, day or night.

# PERFORMANCE POWERED BY VOLVO.

Volvo delivers powerful and precise paving. The high performance, premium Volvo engine supplies all the power you need to pave the most challenging applications. Experience quality paving at its best with Volvo.

## Hydraulic tunnels

With a push of a button, two stage tunnels can be hydraulically extended to confine and control material – ensuring an even head of material in front of the screed for the best possible mat quality.



## Pump decoupler (option)

A unique automatic pump-decoupling system disengages non-essential pumps for faster, more consistent, cold-weather start-ups.



## Range of screeds

For increased versatility, Volvo offers a range of screeds with front or rear mounted extensions designed to give you the best paving quality, uniformity and smoothness. Add or remove extensions in minutes thanks to Volvo's quick coupling system.

## Four sensor system

Four standard ultrasonic sensors automatically regulate the roper delivery and flow of material to match the paver's speed and ensure smooth and consistent paving.



#### **Volvo Tier 4i engine**

Powerful, fuel efficient Volvo D8 235 horsepower (175 kW) engine employs a diesel particulate filter (DPF) and an active, semi-automatic regeneration process that does not interrupt productivity, operation or performance.

# P7110 TRACKED PAVER.



## Range of screeds

Volvo offers a range of extendable, front and rear mounted screeds for increased versatility.



## Volvo Tier 4i engine

Built and maintained by Volvo – benefit from a 'one-stop-shop' approach for all support, parts and warranty needs.

## Hopper

Large hopper capacity for continuous paving. Durable, rolled hopper wings prevent material build-up to improve clean-up.

## Pump decoupler (option)

Automatic system for easy cold weather starts.

## Sensor feed system

Four ultrasonic sensors automatically regulates the delivery and flow of material for smooth paving.



## Serviceability

Most daily service and maintenance checks can be made quickly, safely and easily from ground level.





### Visibility

All-around visibility with rotating and extending operator seats for a full view of the paving process.



### Control consoles

Paving controls are intuitively grouped by function and backlit for easy identification in all lighting conditions. Screenshot controls have a lock-out feature.

### Hydraulic tunnels

Effortlessly extend the hydraulically powered two stage tunnels to confine and control the material.

### SmokEater®

To protect the operators, the extraction system collects and disposes fumes from the auger area.

### Blaw-Kote® coating

The Blaw-Kote® protective coating system offers an environmentally friendly solution that minimizes asphalt from sticking to paver components.

### Track footprint

The P7110 has the highest contact surface area in the paving industry.

### Track tension

The automatic track tensioning system ensures optimal track performance and long life.

# P7170 WHEELED PAVER.



## Volvo Tier 4i engine

Built and maintained by Volvo – benefit from a 'one-stop-shop' approach for all support, parts and warranty needs.



## Range of screeds

Volvo offers a range of extendable, front and rear mounted screeds for increased versatility.

## Hydraulic tunnels

Effortlessly extend the hydraulically powered two stage tunnels to confine and control the material.

## SmokEater®

To protect the operators, the fumes extraction system collects and disposes harmful fumes from the auger tunnel area.

## Sensor feed system

Four sonic sensors automatically regulate the precise delivery and flow of material for smooth paving.

## Flotation tires

Optimal traction and low ground disturbance from Volvo's exclusive low pressure, ballasted drive tires.







### Visibility

All-around visibility with rotating and extending operator seats for a full view of the whole paving process.



### Control consoles

Paving controls are intuitively grouped by function and backlit for easy identification in all lighting conditions. Screed setup controls have a lock-out feature.

### Hopper

Large hopper capacity for continuous paving. Heavyweight, rolled hopper wings prevent material build-up to improve clean-up.

### Pump decoupler (option)

Automatic system for easy cold weather starts.

### Blaw-Kote® coating

The Blaw-Kote® protective coating system offers an environmentally friendly solution that minimizes asphalt from sticking to paver components.



### Serviceability

Most daily service and maintenance checks can be made quickly, safely and easily from ground level.



### Front wheel assist

Optional two-wheel or four-wheel drive versions of the P7170 are available for improved tractive effort and gradeability.

### Load-level steering

Volvo exclusive load-level steering improves stability and extends the life of the bogie wheels.

# YOUR UPTIME IS OUR PRIORITY.

At Volvo we're not just committed to providing you with a quality paver. We know that on a paving job, time means money. And that's why Volvo has a unique dealer support network to ensure your machine's uptime. Enjoy maintenance made easy and continuous state-of-the-art support with Volvo.

## Volvo maintained

Volvo engines are built and maintained by Volvo. Because your paver is 100% Volvo, you'll benefit from a 'one-stop-shop' approach – with support, parts and warranty managed in one place by your local Volvo dealer. Volvo diesel particulate filters (DPF) are included in Volvo's Reman Exchange Services.

## Road Institute

The Volvo Road Institute has been teaching customers how to operate and service asphalt pavers and compactor machines since its inception by Blaw-Knox in 1965. Operators are educated by experienced instructors on best practice techniques and taught how to recognize and correct paving problems.



## Customer Support Agreement

Volvo Customer Support Agreements (CSA) offer service and maintenance with maximum cost control and minimum downtime. The flexible system caters to a range of needs from total repair and maintenance to an inspection program covering vital parts and functions.

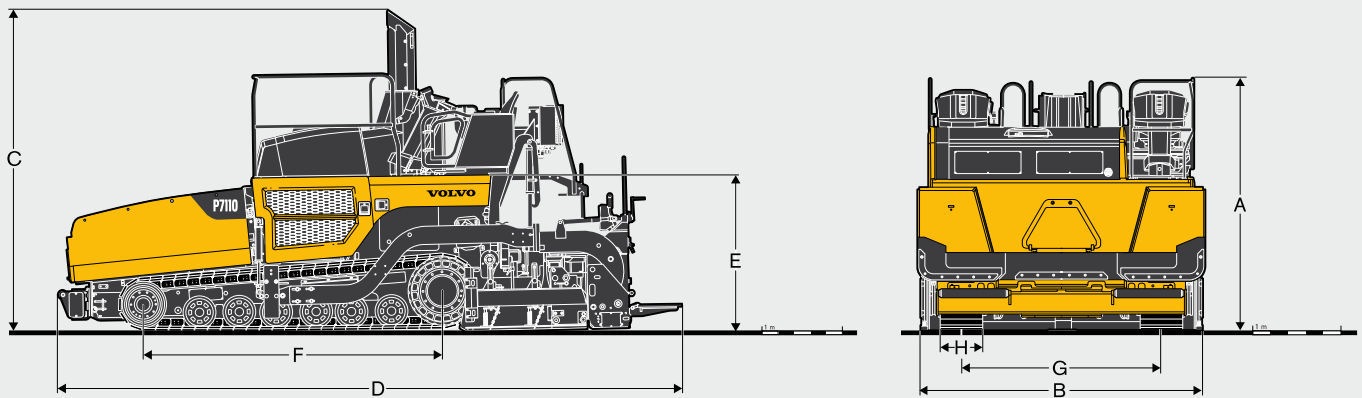


#### Support network

Volvo offers customers access to its first-class dealer support network. A factory trained technician, in a Volvo dealer service truck, with Genuine Volvo Parts is ready to service your paver at your convenience. Trust Volvo to maintain your uptime.

# SPECIFICATIONS TRACKED P7110.

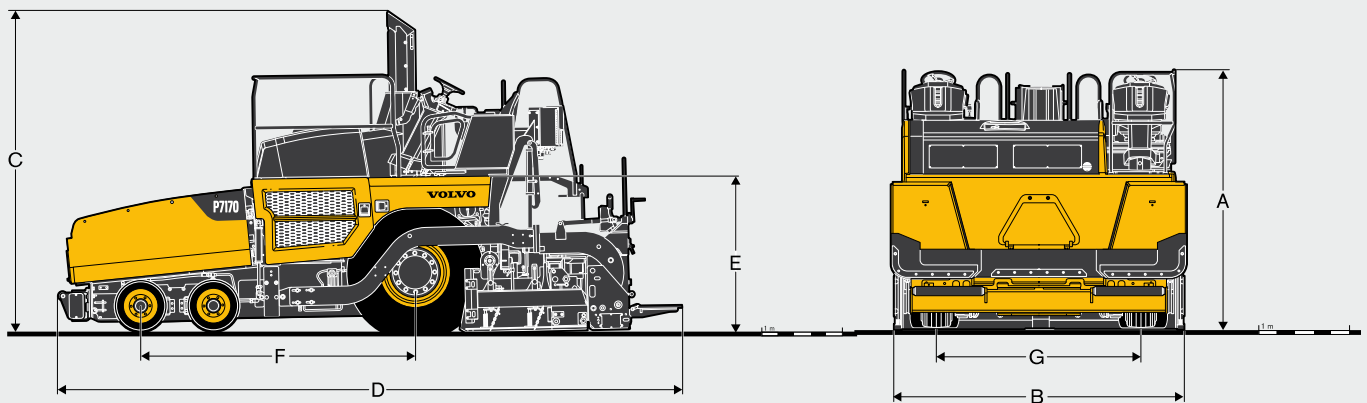
## DIMENSIONS



Model				P7110	
<b>Machine Dimensions</b>					
	Basic Screed Width	m	ft	3.05	10
	Max Paving Width	m	ft	7.92	26
	Paving Depth	mm	in	6.4 - 304.8	0.25 - 12
B	Ship Width w/ Endgates (Hoppers Up)	m	ft	3.23	10.60
	Ship Width w/o Endgates (Hoppers Up)	m	ft	3.05	10.00
A	Shipping Height	m	ft	2.83	9.29
C	Operating Height	m	ft	3.52	11.56
E	Deck Height	m	ft	1.70	5.57
D	Operating Length	m	ft	6.86	22.52
	Shipping Length	m	ft	6.50	21.33
	Hopper Length	m	ft	2.05	6.73
	Inside Hopper Width	m	ft	3.21	10.58
	Auger Diameter	mm	in	420	16.5
	Adj Height Augers (screed up)	mm	in	76.5 - 230	3 - 9.1
G	Gauge - Track	m	ft	2.28	7.5
	Ramp Loading Angle	°	°	10	10
<b>Weights</b>					
	Shipping Weight Of Tractor Only	kg	lb	19 006	41,813
	with Omni 318 screed	kg	lb	22 751	50,053
	with Ultimat 200 screed	kg	lb	22 651	49,833
	with Omni 1000 screed	kg	lb	23 065	50,743
<b>Suspension</b>					
	Description	Continuous rubber track with tandem bogie system			
F	Track length on Ground	m	ft	3.27	10.74
H	Track Width	mm	in	482	19
<b>Engine</b>					
	Make / Model	Volvo D8 / EPA Tier 4 interim			
	Rated Power @ Installed Speed	kW	hp	175	235
<b>Propulsion</b>					
	Description	2-speed planetaries, 2-speed drive motors			
	Traction Drive	Hydrostatic direct drive			
	Paving Speed	m/min	ft/min	75	246
	Travel Speed	km/h	mph	16.1	10
<b>Miscellaneous</b>					
	Fuel Tank Capacity	l	gal	354.4	93.5
	Hydraulic Tank Capacity	l	gal	257.7	68
	Cooling Capacity	l	gal	34	9
	Hopper Capacity (includes tunnel)	t / m <sup>3</sup>	T / cu ft	11.6 / 6.63	12.8 / 234

# SPECIFICATIONS WHEELED P7170.

## DIMENSIONS



Model			P7170		
	Basic Screed Width	m	ft	3.05	10
	Max Paving Width	m	ft	7.92	26
	Paving Depth	mm	in	6.4 – 304.8	0.25 – 12
B	Shipping Width with endgates	m	ft	3.23	10.60
	Shipping Width without endgates	m	ft	3.05	10.00
A	Shipping Height	m	ft	2.83	9.29
C	Operating Height	m	ft	3.57	11.70
E	Deck Height (screed up)	m	ft	1.70	5.58
D	Operating Length	m	ft	6.86	22.52
	Shipping Length (screed down)	m	ft	6.50	21.33
	Hopper Length	m	ft	2.05	6.73
	Inside Hopper Width	m	ft	3.21	10.58
	Auger Diameter	mm	in	420	16.5
	Adj Height Augers (screed up)	mm	in	81.3 – 235	3.2 – 9.3
G	Gauge - Wheel	m	ft	2.31	7.6
	Ramp Loading Angle	°	°	12.2	12.2
<b>Weights</b>					
	Shipping Weight Of Tractor Only	kg	lb	17 741	39,030
	with Omni 318 screed	kg	lb	21 486	47,270
	with Ultimat 200 screed	kg	lb	21 386	47,050
	with Omni 1000 screed	kg	lb	21 800	47,960
<b>Suspension</b>					
	Description	2- Drive wheels, 4-front bogies Optional Front Wheel Assist (2 or 4 wheel)			
F	Wheelbase	m	ft	3.01	9.87
	Drive Tire Size	mm	in	457.2 x 635	18 x 25
	Front Wheel Size	mm	in	356 x 559	14 x 22
<b>Engine</b>					
	Make / Emissions level	Volvo D8 / EPA Tier 4 interim			
	Rated Power @ Installed Speed	kW	hp	175	235
<b>Propulsion</b>					
	Description	2-speed planetaries, 2-speed drive motors Hydrostatic direct drive			
	Traction Drive				
	Paving Speed	m/min	ft/min	90.5	297
	Travel Speed	km/h	mph	19.3	12
<b>Miscellaneous</b>					
	Fuel Tank Capacity	l	gal	354.4	93.5
	Hydraulic Tank Capacity	l	gal	257.7	68
	Cooling Capacity	l	gal	34	9
	Hopper Capacity (includes tunnel)	t / m <sup>3</sup>	T / cu ft	11.6 / 6.63	12.8 / 234
	Turning radius	m	ft	9.83	32.2

# SCREEDS SPECIFICATIONS.

Matched to your application. Gain an advantage with the versatility of Volvo screeds.

## OMNI 318



## ULTIMAT 200



Model			Omni 318		Ultimat 200		Omni 1000		
			Front-mounted extensions		Front-mounted extensions		Rear-mounted extensions		
Vibration / Tamping System			Vibratory		Vibratory		Vibratory		
Basic Screed Width	m	ft	3.05	10	3.05	10	3	9.8	
Standard Paving Width	m	ft	3.05 - 5.56	10 - 18.2	3.05 - 6.10	10 - 20	3 - 6	9.8 - 19.7	
Max Paving Width	m	ft	7.92	26	6.10	20	8	26.2	
Paving Depth	mm	in	6 - 305	0.25 - 12	6 - 203	0.25 - 8	6 - 305	0.25 - 12	
Screed Plate Depth									
	Main	mm	in	457	18	724	28.5	450	17.7
	Extensions (front to rear)	mm	in	457	18	216	8.5	443	17.4
Screed Weight	kg	lb	3,425	7,550	3,565	7,860	4,000	8,818	
Vibratory Speed	Hz	vpm	17 - 40	1,000 - 2,400	17 - 42	1,000 - 2,500	8 - 50	500 - 3,000	
Multiple bolt-on extensions available			Yes		No		Yes		
Tapered joint extensions available			Yes		No		No		
Screed remote control unit available			Yes		Yes		Yes		

Other screeds available. Contact your local Volvo dealer for more information.

# EQUIPMENT.

## STANDARD EQUIPMENT

	P7110	P7170
Volvo Tier 4i engine	•	•
Dual control consoles with vandal covers	•	•
Illuminated console switches	•	•
Guage package	•	•
30 kW generator with 3-110 AC and 2-12 DC outlets	•	•
Side extendable, rotating seats	•	•
Cup holder	•	•
SmokEater® with fold-down stack	•	•
Umbrella	•	•
Dual screed control consoles	•	•
Hydraulic auger height adjustment	•	•
4 sensor feed system	•	•
2 stage power tunnels	•	•
Independent augers and conveyors	•	•
Automatic tensioning conveyors	•	•
Adjustable screed side arms	•	•
Color display with speed limiter	•	•
Interchangeable drop in floor plates	•	•
Ground level fuel fill	•	•
Remote jumper strt connections	•	•
Emergency operations panel	•	•
Outboard conveyor drive motors	•	•
Low fuel alarm	•	•
Hopper locks	•	•
Blaw-Kote® coating system	•	•
Hose reel with 30 ft. hose	•	•

## OPTIONAL EQUIPMENT

	P7110	P7170
Push Roller	•	•
Truck hitch	•	•
Smooth or Lugged tracks	•	•
2 or 4 front wheel assist		•
Blaw-Kontrol® grade and slope systems	•	•
Floating beam assemblies	•	•
Lighting packages	•	•
Back up alarm	•	•
Pump decoupler	•	•
High torque auger motor	•	•
Flow gates	•	•
Service analyzer	•	•
Auger extension kits	•	•
Engine air intake screen	•	•
Material indicator alarm	•	•
Reversible conveyors	•	•
Reversible augers	•	•
Additional umbrella	•	•
3-Function screed assist	•	•
Hopper extension	•	•
Auxiliary outlet box with 3 - 110 AC outlets	•	•
Tow point indicator	•	•
Mixer tub and hydraulic installation kits	•	•
Screed remote controls	•	•
Air cleaner inlet extension	•	•

## SELECTION OF VOLVO OPTIONAL EQUIPMENT

**Multiple Auger extension kits**



**Blaw-Kontrol® grade and slope systems**



**Flow gates**



**Screed remote controls**



**Auxiliary RH outlet box**



**Multiple lighting system**



# VOLVO CONSTRUCTION EQUIPMENT

Volvo Construction Equipment is different. Our machines are designed, built and supported in a different way. That difference comes from an engineering heritage of over 180 years. A heritage of thinking first about the people who actually use the machines. About how to help them be safer, more comfortable, more productive. About the environment we all share. The result of that thinking is a growing range of machines and a global support network dedicated to helping you do more. People around the world are proud to use Volvo.

Not all products are available in all markets. Under our policy of continuous improvement, we reserve the right to change specifications and design without prior notice. The illustrations do not necessarily show the standard version of the machine.

# **VOLVO**

**Volvo Construction Equipment**  
[www.volvoce.com](http://www.volvoce.com)

Ref. No 20035804-A  
2013.02  
Volvo, Global Marketing

English-84  
PAV