



Table of Contents

<u>Key Features</u>	<u>1</u>
<u>Performance</u>	<u>2</u>
<u>Operator's Cab</u>	<u>3</u>
<u>Controls</u>	<u>4</u>
<u>Engine</u>	<u>5</u>
<u>Hydraulics</u>	<u>6</u>
<u>Track Tensioning</u>	<u>8</u>
<u>Attachment System</u>	<u>9</u>
<u>Lift Arm</u>	<u>10</u>
<u>Serviceability</u>	<u>11</u>
<u>Specifications</u>	<u>12</u>
<u>Comp. Comparisons</u>	<u>13</u>

2500RT TRACK LOADER

All-New, heavy-capacity model.

new



KEY FEATURES

2500RT Track Loader

Peak Torque: 243 ft.-lbs.

Gross Power: 74.2 hp



Rated Operating Capacity
@ 35% Tipping Load: 2500 lbs.

Pin Height: 128"

Automatic Track Tensioning

Straight Tracking Feature

You've met the 1750RT and 2100RT, now meet their big brother...the 2500RT, with the same industry-exclusive features that result from more than a decade of industry experience.

- Deutz Tier IV turbocharged diesel engine with 243 ft.-lbs. (330 Nm) of peak torque.
- Anti-stall technology provides the power to handle the largest jobs with ease.
- The industry-exclusive automatic Track Tensioning System eliminates the need for manually tensioning the tracks on the loader before operation.
- State-of-the-art operator's cab features unsurpassed ergonomics, adjustable seat mounted controls and superior comfort and visibility.
- The standard 5x5 Drive Control System offers five settings that adjust five operational characteristics to suit operator preference and application requirements.
- Welded, dedicated track system with internal drive motor plumbing enhances grading, tractive effort and provides uncompromised durability.

MUSTANG[®]

PERFORMANCE

2500RT Track Loader



The Mustang 2500RT Track Loader was designed from the ground up to be the top-performing machine on the jobsite.

- ◆ Optimized radial-lift boom offers enhanced strength, optimal forward reach at trailer loading and dumping heights, and more than 128" (3251 mm) of lift height.
- ◆ The welded chassis provides outstanding durability, and aids in superior weight distribution, which further enhances stability, grading and tractive effort.
- ◆ Flush rear door and angled rear towers provide a tight rear clearance radius and excellent visibility.
- ◆ Optional counterweight increases lift capacity at 35% of tipping load to 2773 lbs. (1258 kg).
- ◆ Thick steel plating and heavy-duty pins and bushings strengthen the loader for extreme-duty work.
- ◆ Electronic engine control and foot throttle allow operation at partial throttle, reducing sound levels and fuel consumption.
- ◆ Two-speed drive as standard equipment, provides travel speeds over 7.9 mph (12.7 Km/h), provided by "soft-shift" drive motors.

OPERATOR'S CAB

2500RT Track Loader



INTEGRATED LCD DISPLAY

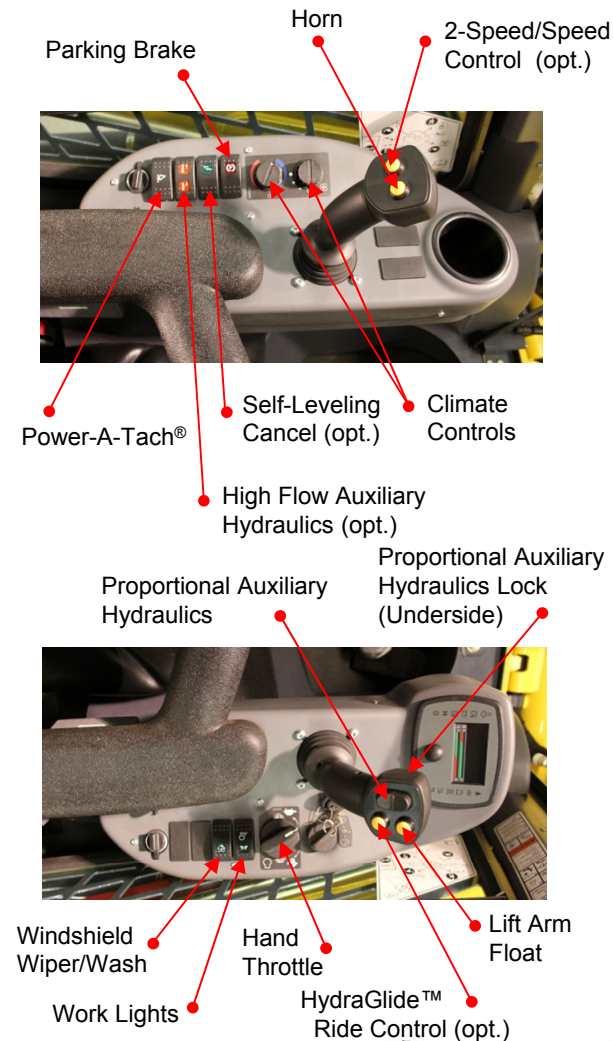
Complicated gauges and cluttered dash readouts are eliminated with a customizable, easy-to-use multi-function LCD display that incorporates all warning/operation lights and machine configuration screens. Single button allows simple scrolling and selection of various display functions.

The extra-large, state-of-the-art operator's station on the new 2500RT Track Loader is designed for optimal operator comfort resulting in all-day productivity on the jobsite.

- Cab forward design enhances the view to the bucket. Level II ROPS/FOPS is standard equipment.
- Optional pressurized sealed cab enclosure with heat/AC, sound reduction material and rear-mounted air filter provides a comfortable, clean and quiet operating environment.
- New side-folding restraint bars and armrests with multiple adjustments enhance operator productivity and comfort.
- Fully adjustable controls mounted to a standard mechanical suspension seat or an optional air-ride seat deliver outstanding comfort and precision control by moving with the operator during operation.
- Horn and backup alarm.

CONTROLS

2500RT Track Loader



Controls on the Mustang 2500RT Track Loader are ergonomically designed to reduce operator fatigue, increase productivity and improve versatility.

- ◆ Standard ISO drive pattern, optional selectable ISO and dual hand (H-pattern) controls.
- ◆ Electro-hydraulic joystick controls provide the ultimate in low lever effort and customized controllability. They are also not affected during cold weather operation.
- ◆ Standard “5x5” Drive Control System offers five settings that change five operational characteristics to suit operator preference, skill and application requirements. The “5x5” Drive Control System offers five presets that change joystick sensitivity, position reaction, engine response, anti-stall and pump swash plate position.
- ◆ Optional speed control adds ability to tailor travel speed to application for more precise control independent of engine RPM.
- ◆ Hydraloc™ system applies the parking brake whenever the operator raises the restraint bars, leaves the operator’s seat, opens the door or switches off the ignition.

MUSTANG®

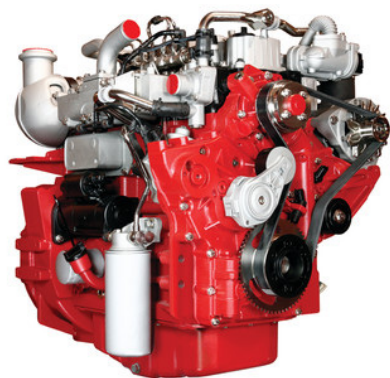
ENGINE

2500RT Track Loader



The Mustang 2500RT Track Loader engine is packed with plenty of low-end torque, just what a track loader needs to power through the toughest jobs.

- Deutz 74.2 hp (55.4 kW) Tier IV emissions certified turbocharged diesel engine provides 243 ft.-lbs. (330 Nm) of peak torque.
- Automatic glow module engine intake heating system provides superior cold-weather starting.
- Engine warranty, parts and service are handled through dealership servicing in conjunction with Gehl parts and service support.



MUSTANG[®]

HYDRAULICS

2500RT Track Loader



Auxiliary circuit incorporates pressure-relieving coupler block for fast, efficient attachment changes.

The Mustang 2500RT Track Loader hydraulic system is engineered to push more material, lift heavier loads and power demanding attachments.

- ◆ Standard adjustable proportional auxiliary hydraulics up to 24.9 gpm (94.3 L/min) with auxiliary detent allows the operator to set attachment for continuous operation.
- ◆ Optional high flow is available with a peak flow of 37.4 gpm (141.6 L/min).
- ◆ High system pressure of 3000 psi (207 bar) delivers more hydraulic muscle to power demanding attachments and deliver superior lifting and breakout forces.
- ◆ Standard and optional high-flow auxiliary hydraulics are designed to handle virtually every flow/high-performance attachment. New cast-iron pump design delivers efficient flow at higher temperatures.
- ◆ Electro-Hydraulic controlled hydrostatic transmission with direct engine coupling provides high operating efficiency and Anti-stall technology keeps the power flowing.

HYDRAULICS

2500RT Track Loader



- Lift cylinders incorporate cushioning for smoother operation when lowering the lift-arm.
- Powerful drive motors deliver superior pushing power to the tracks.
- Internal drive motor plumbing protects hoses, tubes and fittings from damage resulting from debris or objects in the track area.
- Optional Hydraglide™ system allows the lift arm to “float” when transporting loads, minimizing loss of material and providing a smoother ride at faster transport speeds.



TRACK TENSIONING

2500RT Track Loader



Reduce operating costs, save time and boost productivity with the industry-exclusive Automatic Track Tensioning System found on the Mustang 2500RT Track Loader.

- Patented Mustang Automatic Track Tensioning System eliminates the need for manually tensioning the tracks on the loader before operation, saving valuable time on the jobsite.
- Increases the life of the tracks (up to 15%* in tested conditions) and bearings by ensuring the proper tension immediately upon start-up and during use, and tension release when the machine is shut down.
- Straight tracking feature allows operator to make adjustments to machine tracking to keep the machine on a straight path at all times.
- Tracks changes in the field are facilitated with the simple flip of a switch.

NOTE: Track life improvement varies greatly depending on conditions, application and upkeep; results may vary.



ATTACHMENT SYSTEM

2500RT Track Loader



Multi-Tach®



Power-A-Tach®

The Mustang RT Series Track Loaders are available with two quick-attach systems designed to enhance jobsite efficiency.

- Multi-Tach® system manually engages and disengages attachments with a single lever.
- Power-A-Tach® system with electric actuator allows for attachment changes at the push of a button, further enhancing jobsite productivity.
- Both systems are compatible with all universal-type track loader attachments.



LIFT ARM

2500RT Track Loader



The robust lift-arm on the 2500RT Track Loader is designed for optimal strength, visibility and capacity.

- Radial lift arm design has a pin height of 128" (3251 mm) while providing more than 39.2" (996 mm) of reach.
- Additional reach and increased dump height result in more efficient load placement and overall productivity.
- Low-profile design provides outstanding forward, rear and side visibility.
- Simple "in-line" design increases structural integrity by eliminating the complex geometry and welding found on many competitive "offset" lift-arm designs.
- Front channel support and large diameter pivot pins provide exceptional lateral strength and rigidity.
- Lift-arm incorporates dual bucket cylinders and two lift-arm stop blocks on the front of the main frame to evenly distribute digging forces.

SERVICEABILITY

2500RT Track Loader



Serviceability is very important to our customers. The 2500RT Track Loader is sure to exceed your service expectations.

- Large, gas-spring assisted engine cover and oversized, flush-mounted rear door allows full access on the rear of the machine for servicing and maintenance.
- Lockable compartments on the rear towers open to reveal the battery (left) and hydraulic tank (right).
- Entire ROPS/FOPS assembly tilts rearward with large gas-springs for easy internal service access.
- Track rollers and idlers are sealed and require no maintenance.
- Patented tilt-out foot pod allows for best-in-class foot well cleanout and provides perfect access to the fuel tank and other components under the cab.
- Coded wiring takes the guesswork out of electrical system identification.

SPECIFICATIONS

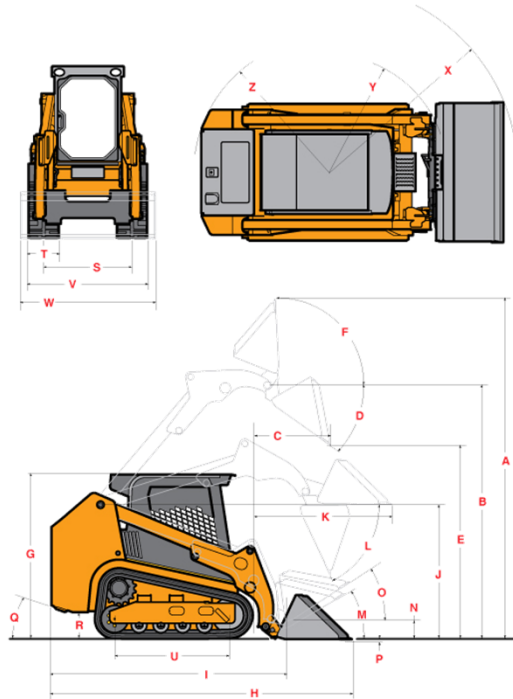
2500RT

DIMENSIONS

(A) Overall Operating Height – Fully Raised	175.2" (4450 mm)
(B) Height To Hinge Pin - Fully Raised	128" (3251 mm)
(C) Reach - Fully Raised	39.2" (996 mm)
(D) Dump Angle - Fully Raised	41°
(E) Dump Height - Fully Raised	91.7" (2329 mm)
(F) Rollback Angle - Fully Raised	102.5°
(G) Overall Height @ ROPS	83.1" (2111 mm)
(H) Overall Length with Bucket – std. c-wt.	166" (4216 mm)
(I) Overall Length w/o Bucket – std. c-wt.	125" (3175 mm)
(J) Specified Height	67.7" (1720 mm)
(K) Reach @ Specified Height	32" (813 mm)
(L) Dump Angle @ Specified Height	75.0°
(M) Rollback Angle @ Ground	30.0°
(N) Carry Position	7.0" (179 mm)
(O) Rollback Angle @ Carry Position	33°
(P) Digging Position (+ / - Below Grade)	-0.2" (5.1 mm)
(Q) Angle of Departure with Standard Counterweight	25°
(R) Ground Clearance	13" (330 mm)
(S) Track Gauge	51.7" (1313 mm)
(T) Track Shoe Width	17.7" (450 mm)
(U) Crawler Base	61.5" (1562 mm)
(V) Overall Width - Less Bucket	69.5" (1765 mm)
(W) Bucket Width	83.9" (2131 mm)
(X) Clearance Radius - Front with Bucket	104.7" (2659 mm)
(Z) Clearance Radius – Rear with Standard Counterweight	70.7" (1796 mm)

ENGINE

Make	Deutz
Model	TD 3.6 Tier IV
Type	4-Stroke Turbo
Displacement	221 cu.in. (3.6 L)
Gross Power @ 2300 rpm	74.3 (55.4 kW)
Maximum Torque @ 1400-1600 rpm	243 ft.-lbs. (330 Nm)



HYDRAULIC SYSTEM

Auxiliary Hydraulic Flow – Rated Speed	24.9 gpm (94.3 L/min)
Opt. High Flow Aux. Hyd. – Rated Speed	37.4 gpm (141.6 L/min)
System Pressure	3000 psi (207 bar)
Reservoir Capacity	13.8 gal. (52.2 L)
Tractive Effort	14,317 lbs. (6494 kg)

CAPACITIES / WEIGHTS

Rated Operating Capacity @ 35%	2500 lbs. (1134 kg)
Rated Operating Capacity @ 35% w/ Opt. C-wt.	2773 lbs. (1258 kg)
Tipping Capacity	7143 lbs. (3240 kg)
Operating Weight	11,595 lbs. (5259 kg)
Fuel Tank	24 gal. (91 L)



2500RT COMPETITIVE COMPARISONS

MAKE	MUSTANG	KUBOTA	TAKEUCHI	CATERPILLAR	BOBCAT
MODEL	2500RT	SVL 75	TL10	289C Series 2	T 650
Emission Rating	Tier 4	np	Interim Tier 4	Interim Tier 4	Interim Tier 4
PERFORMANCE					
Rated Operating Load @ 35% of Tipping Load	2500 lbs.	2299.4 lbs.	2403 lbs.	2555 lbs.	2570 lbs.
Rated Operating Load @ 50% of Tipping Load	3571 lbs.	3284.8 lbs.	3434 lbs.	3650 lbs.	3672 lbs.
Tipping Capacity	7143 lbs.	6570 lbs.	6867 lbs.	7300 lbs.	7343 lbs.
Height to Bucket Pin	128"	119"	123"	127.5"	124"
Dump Height at Bucket Discharge	91.7"	np	95"	96.7"	96.3"
Reach at Max. Full Height	39.2"	41.7"	34"	30.7"	34.2"
Max. Dump Angle at Full Height	41°	40°	38.5°	50°	42°
Bucket Breakout Force	6894 lbf	6204 lbf	7400 lbf	7308 lbf	np
Bucket Rollback @ Ground	30°	27°	30.7°	np	31°
Arm Lifting Force	6786 lbf	4766 lbf	7425 lbf	np	np
Tractive Effort	14,317 lbs.	9678 lbs.	11,067 lbs.	np	np
ENGINE					
Engine Manufacturer	Deutz	Kubota	Kubota	Caterpillar	Kubota
Engine Model	TD 3.6	V3307 - DI - TE3	V3800CRT	C3.4 DIT	V3307-DI-TE3
Cylinders	4	4	4	4	4
Displacement	221 cu.in.	203.2 cu.in.	230 cu.in.	201 cu.in.	203.3 cu.in.
Net Power	np	np	90.7 hp	73 hp	74.3 hp
Gross Power	74.3 hp	74.3 hp	92 hp	74 hp	np
Peak Torque	243 ft.-lbs.	np	247 ft.-lbs.	np	np
DRIVE TRAIN					
Max Travel Speed, Standard	7.9 mph	4.7 mph	7.2 mph	8.5 mph	6.6 mph
Max travel speed, optional	np	7.1 mph	Np	np	10.7 mph
Standard Pump Flow	24.9 gpm	18.8 gpm	20 gpm	22 gpm	23 gpm
Optional Pump Flow	37.4 gpm	np	36 gpm	33 gpm	30.5 gpm
Hydraulic Pressure	3000 psi	3510 psi	3046 psi	3335 psi	3500 psi
DIMENSIONS/CAPACITIES					
Overall Length with Bucket	166"	140.7"	150"	144.8"	136.8"
Length Less Bucket	125"	np	117"	116.5"	108.4"
Width With Standard Bucket	84" (69.5" less bucket)	72"	76"	np	74"
Height to Top of ROPS	83.1"	82"	89"	83.3"	81.3"
Ground Clearance	13"	11.6"	12.8"	9.1"	8.1"
Rear Angle of Departure	25°	31.5°	30°	44°	31°
Width Over Tracks	17.7"	14.9"	70"	np	12.6"
Fuel Tank	24 gal.	24.5 gal.	23.8 gal.	26 gal.	27.3 gal.
Hydraulic System Total	21.9 gal.	15.9 gal.	19.5 gal.	15 gal.	np
Operating Weight	11,595 lbs.	9038.9 lbs.	10,318 lbs.	10,332 lbs.	9440 lbs.

Specification Data provided by SPEC CHECK (February 13, 2013). All rights reserved.

