

SPECIFICATIONS

MC ² Sensor	
Supply Voltage	Power Input 9-32 VDC
Supply Current	Power Input 0.21 A Max at 12v 0.11 A Max at 24v
Housing	Powder coated cast aluminum, sealed with GORE-TEX® vent
Weight	2 lbs
Operating Temperature	-20°C to +60°C
MC-R3 Controller	
Supply Voltage	Power Input 10-30 VDC
Supply Current	Power Input 3A typical operating current 18.5A Max 3mA at 24V typical leakage current 1.5mA at 12V
Housing	Powder coated cast aluminum
Weight	7.5 lbs
Operating Temperature	-20°C to +60°
GX-60 Control Box	
Display	VGA full-color touch screen with enhanced brightness
Data/Memory Port	USB, Ethernet, Bluetooth®
Operating System	Windows XP®
Backlight	Auto adjusting

For more specification information:
topconpositioning.com/3dmc2

Topcon TotalCare

This online resource comes with real live people ready to help. Get expert training from Topcon University's large collection of online materials, and expert help directly from Topcon Technical Support.

Access software and firmware updates, current publications, and guidance from the experts at Topcon all right from your computer or mobile device.

Please visit the TotalCare website to learn more.
topcontotalcare.com



7400 National Drive • Livermore • CA 94550
(925) 245-8300

Specifications subject to change without notice. ©2012 Topcon Corporation All rights reserved. P/N: 7010-2015 Rev. D Printed in U.S.A. 4/12

The Bluetooth® word mark and logos are registered trademarks owned by Bluetooth SIG, Inc. and any use of such marks by Topcon is under license. Other trademarks and trade names are those of their respective owners.

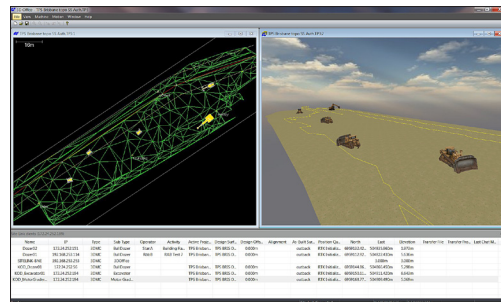
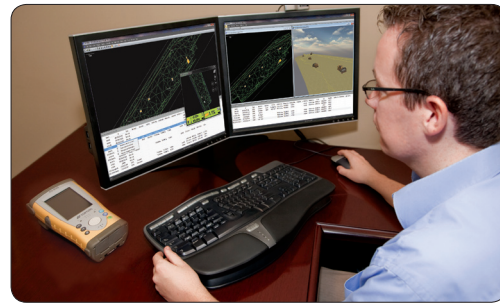
OPTIONAL SOFTWARE

SiteLINK 3D

Advanced communication and management systems with remote support for all machines and jobsites.

Jobsite Management

SiteLINK 3D puts the essential data from all of your machines, on all of your jobs at your fingertips. By linking together your equipment, job trailers and the main office, SiteLINK 3D enables you to better manage your business.



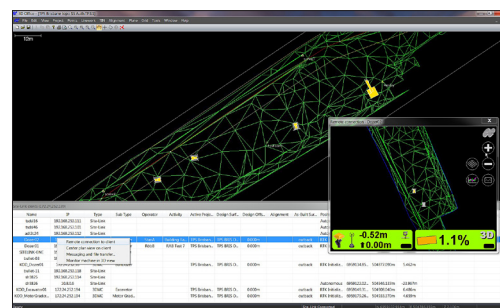
Real-time cut/fill data

Range of Possibilities

SiteLINK 3D gives you real-time views of connected machines in their exact position as well as monitoring activities and delays. The user is easily able to interact with any specific machines for remote support to resolve problems without having to visit the jobsite.

Bringing it all together

Information collected can be used to track productivity based upon the application and material. This data can then be analyzed to help calculate production, ultimately reducing costs and increasing profits.



Remote access to connected machines

Your local Authorized Topcon dealer is:

3D Machine Control



- Increase speeds up to 200% over existing 3D Systems
- Smoothness and grading accuracy comparable to motor graders
- Same easy-to-use interface as previous Topcon machine automation systems
- Unmatched productivity that you will have to see to believe!

Shatter the Final 3D Automation Production Barrier – Speed

Traditional finish grading with a dozer took multiple passes at slower speeds. Existing 3D-GPS machine control allowed operators to double their production. 3D-MC² uses revolutionary technology to reach an unbelievable new level of performance: four times faster than a standard dozer, two times faster than any 3D dozer! One dozer doing the work of two 3D dozers; think of the money you will save.

More Efficient Use of your Machine

3D-MC² will drastically change the role your dozer plays on a typical job site, in some cases it may even replace the need for a motor grader. It also means more efficient use of your dozer. Not only does speed increase, but fewer passes are needed, so more work can be done in less time. That means less machine operating time translating into less fuel, less wear on a machine and most importantly, more time that can be spent working in other areas or jobsites.

Improved Operator Performance

3D-MC² is built on our same easy to use interface so your operators will have no problem putting it to work right away. As a matter of fact, with the advancements of 3D-MC² your less experienced operators will be able to compete with even your most skilled operators. More for less, what could be better!

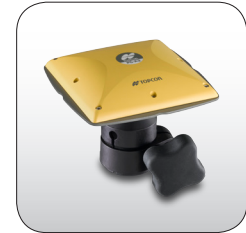
How it Works

3D-MC² utilizes our Topcon's GX-60 control box, GPS+ antenna, MC-R3 receiver and MC² sensor and pairs them with advanced controlling software to provide position updates up to 100 times per second. The MC² sensor combines a gyro, compass and inertial sensor to measure the X, Y and Z position as well as the roll, pitch, yaw and acceleration of the dozer. 3D-MC² provides the most stable and responsive control system possible.



Integrated Radio Choice

- Windows XP[®]
- Touch screen interface
- USB file transfer
- Large 6" sunlight viewable color LCD



Rugged Design

- G3 tracking technology
- Rugged housing design to work on any machine
- Lightweight



Integrated GPS and GLONASS

- Network capable receiver with GSM / CDMA
- UHF and Spread Spectrum radio options
- LED indicators for satellite tracking and controller status



Housing Features

- Rugged housing for OEM and aftermarket installations
- 100Hz position update rate
- All electronic sensors for positioning calculations

PRIMARY FEATURES

Radio Antenna

GX-60 Control Box

MC-A1 Antenna

Hydraulic Valve

MC-R3 GPS Receiver

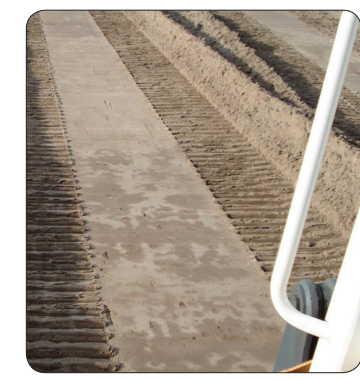
MC² Sensor

The Topcon 3D-MC² Advantage

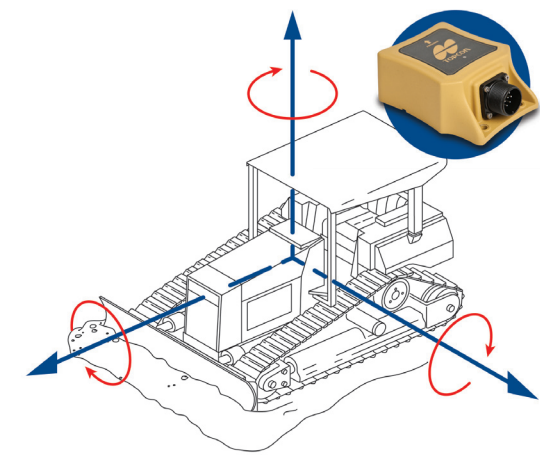
Fine grading with a dozer has been typically done in first gear. Not anymore. Now you can move more material at higher speeds and at a tighter accuracy with one machine. That's the Topcon advantage.



Conventional 3D System



3D-MC² System



Topcon's 3D-MC² technology allows dozers to maintain unprecedented smoothness at higher speeds, even while turning.

