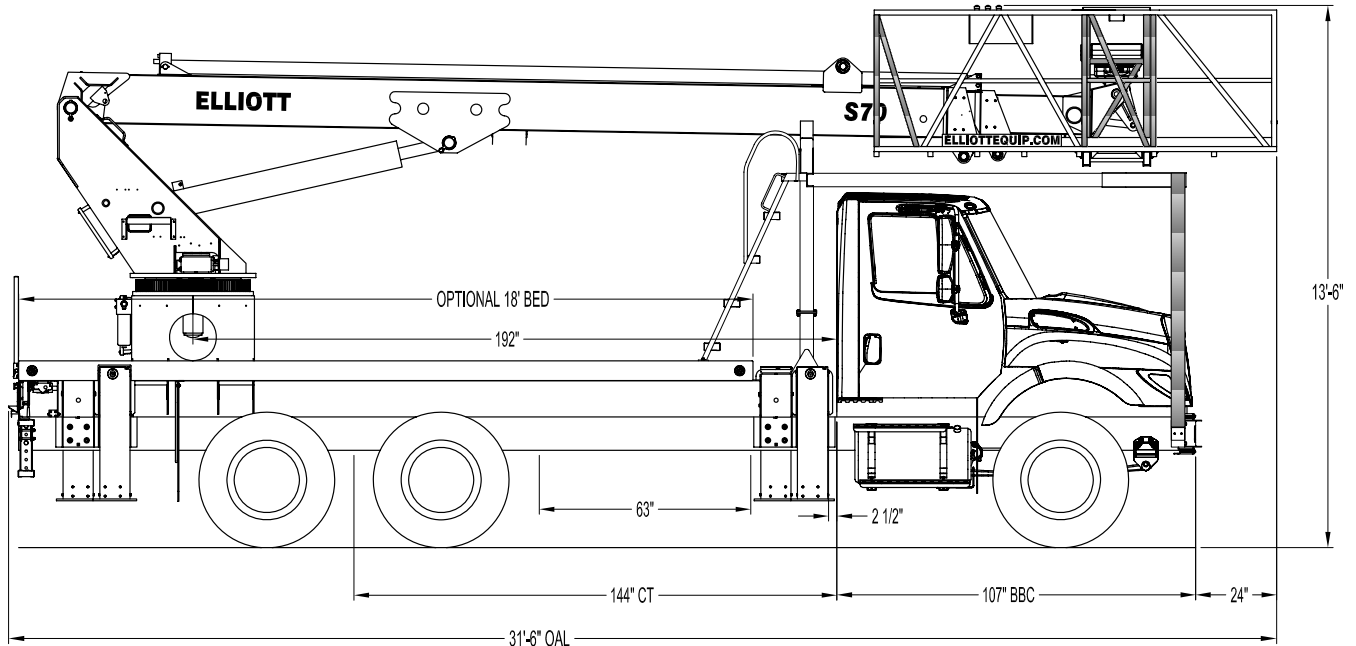




S70R SIDE VIEW DIAGRAM



- **Working Height** 75'/22.9 m
- **Working Side Reach** 65'/19.8 m
- **Platform Capacity** 900 lbs/408 kg
- **Platform Size** 28x120 in/71x305 cm
- **Platform Type** SkyWalk™
- **Lifting Capacity (Main Winch)** 5,900 lbs/2,676 kg
- **Lifting Capacity (Jib Winch)** 500 lbs/227 kg

- **Powered Boom Sections** 3
- **Overall Height** 13'6"/4.1 m
- **Unit Weight (Bare)** 21,000 lbs/9,525 kg
- **Outrigger Spread Main** 18'/5.5 m
- **Outrigger Spread Auxiliary** 18'/5.5 m
- **Front Gross Axle Weight Rating** 14,000 lbs/6,350 kg
- **Rear Gross Axle Weight Rating** 34,000 lbs/15,422 kg

TECHNICAL SPECIFICATIONS

Maximum Platform Height: 70' ground to platform floor.

Working Range: 75' max. height and 65' max. side reach.

Work Platform: 28x120" SkyWalk™ oversized work platform with 40" high rails. Equipped with two safety lanyard attachment loops and two safety harnesses and lanyards. Platform capacity 900 lbs.

Platform Leveling System: Hydraulic "closed" system consisting of twin platform cylinders interacting with a boom-actuated master cylinder mounted in boom support turret. System provided with factory-set relief valves to compensate for oil expansion or overload during platform leveling operation. Remote releveling controls provided in platform and at ground controls to give precise releveling capability.

Platform Controls: Four individual proportional electronic controllers meter pilot-operated, pressure-compensated modulating valves. Boom ground controls are mounted on roadside of turret. Remote controls for boom operations from platform operate from a removable remote control box. Hi/Lo range, start/stop and engine speed toggle controls are also located at platform. Electric remote control cable extends through the electrical slip ring to cable carrier on side of boom to extending boom sections.

Lower Controls: Mounted on roadside of turret.

Outrigger Controls: Parallel open-center stack valve for lever-operated control of right and left outriggers. The outrigger valves are mounted at the rear, under each corner of the bed with roadside valve controlling roadside outriggers and curbside valve controlling curbside outriggers.

Outriggers: Base mounted "MH" type

main and auxiliary outriggers with 18' spread.

Frame: One piece, all welded, box-type fabrication with integral outrigger mounts.

Turret: Reverse offset turret is one-piece weldment mounted on turret box. Turret rotates on large diameter ball bearing.

Rotation: Continuous turret rotation with no stops. Hydraulic motor drives turret through self-locking gear box.

Boom: Steel rectangular tube sections. Assembly includes heavy-duty cylinder fittings, pivot pins, and replaceable wear pads.

Boom Extension: One 'overslung' extension cylinder.

Lift: One single-acting full displacement, long stroke cylinder, provides smooth and stable boom elevation. Holding valve prevent boom from falling in event of hose failure.

Cylinders: All cylinders use microhoned cylinder tubing, chrome shafts, top grade packing and protective rod wipers. Cylinder-mounted holding valves provided on all load-holding cylinders.

Hoses: All high pressure hoses are wire braid reinforced with a minimum safety factor of 4 to 1.

Oil Tank Capacity: 70 gallon mounted to truck frame on roadside.

Hydraulic System: Operating pressure approximately 2,500 PSI. System is parallel open center type and is equipped with liquid-filled pressure gauge. Oil is supplied to upper cylinders through hydraulic union in center of turret to cable carrier along side of the boom.

Pump: Gear type, direct mount to truck PTO.

PTO: Heavy-duty, high-speed. Engaged from cab.

Cab Equipment: PTO switch with

indicator lights installed in truck cab. Engine speed control and start/stop installed with control switches in platform remote control box and also located at lower controls. U/L approved 5:BC dry chemical fire extinguisher installed in truck cab.

Operators Manual & Video: Two CDs and one printed copy of operation, maintenance, safety and parts manual provided with each unit. Operational and safety video provided at delivery.

Installation: Unit installed on truck, painted, system and tank filled with oil, tested, inspected, and ready to operate.

Standard Paint: Paint boom and turret red, outriggers red, and bed and boxes black. Top of bed painted with black nonskid surface.

Bumper: Bureau of Motor Carrier Safety rear bumper.

Weight: Approximately 21,000 lbs. with 18' steel-floor bed less truck.

Truck Chassis Required: Approx. 144" C.A. RBM 2,000,000 in-lb. per rail, 14,000 lb. front axle and 48,000 lb. GVWR required. Trucks must have increased cooling, heavy-duty front and rear springs, 12V electrical system with high capacity alternator, cab clearance stop/tail/backup lights, and I.D. lamps. Recommended GVWR is minimum for HiReach with flatbed only. Contact factory when additional equipment is to be added.

Options:

2,000 lb, 5,900 lb or 9,000 lb Capacity Main Boom Winch.

500 lb Capacity Platform Jib.

Welder, Air, 110V Lines to Platform.

Custom Toolbox Configurations.

Much More....

Elliott Equipment Company reserves the right to change the specification of any unit at any time without prior notice. This brochure is only a statement of general specifications on the date of this publication. For more detailed info on specific Elliott trucks go to www.elliottequip.com

MAXIMUM WORKING LOADS

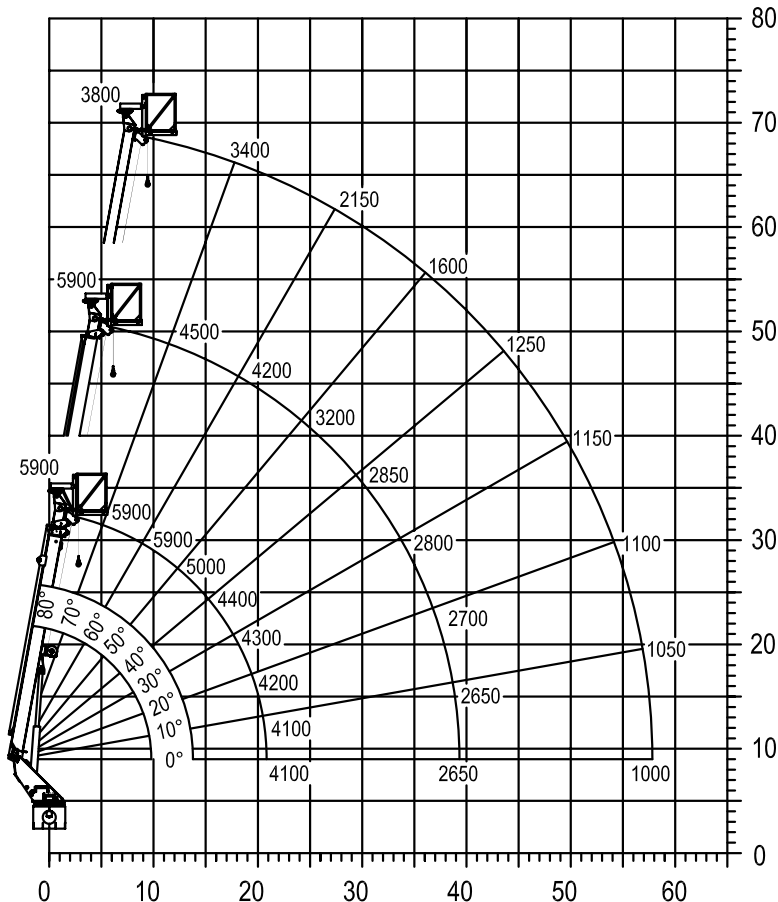
**MAXIMUM WORKING LOADS
CRANE OPERATION
MODEL S70**

WINCH LINE LOAD (POUNDS) WITH PLATFORM ATTACHED (NO JIB)

USE OUTRIGGERS AT ALL TIMES • AVOID JERKING LOAD

360° RADIUS • 2500 P.S.I. MAX

USE 2 PART LINE FOR LOADS OVER 2500 LBS.



DEDUCT 350 lbs. WITH JIB INSTALLED IN PLATFORM

ELLIOTT
EQUIPMENT COMPANY

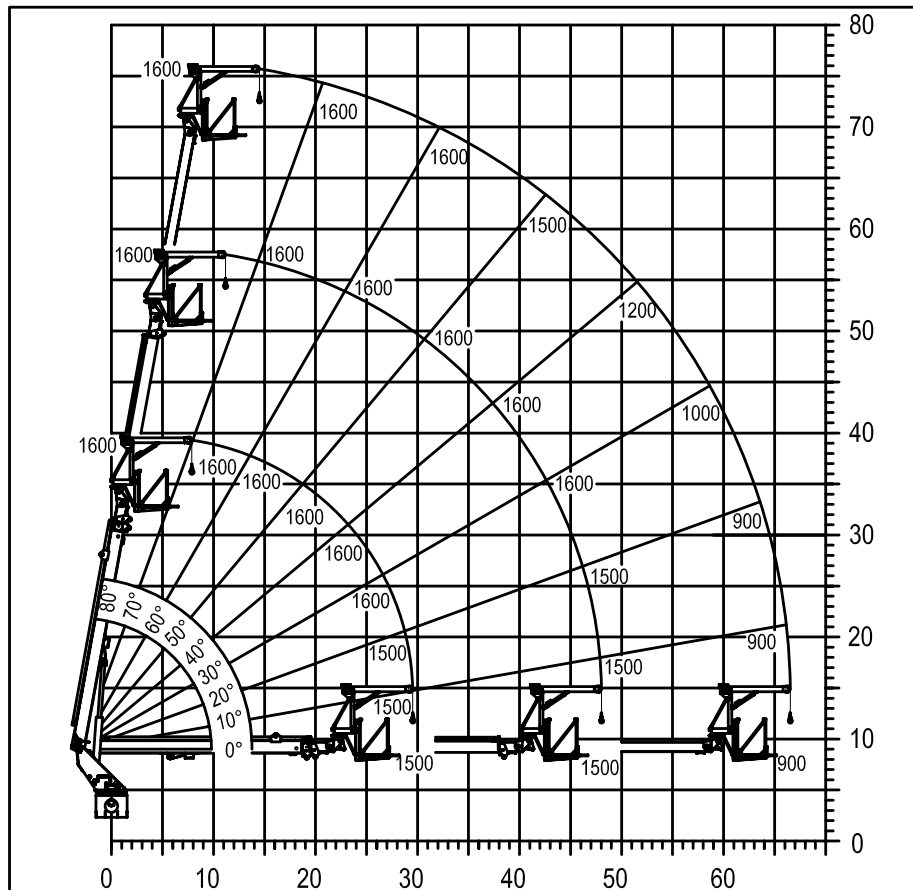
DO NOT PAINT OVER ANY LABELS

030405 1090210

MAXIMUM JIB WORKING LOADS

**MAXIMUM WORKING LOADS
PLATFORM JIB OPERATION
MODEL S70**

WINCH LINE LOAD (POUNDS) WITH PLATFORM ATTACHED (NO JIB)
USE OUTRIGGERS AT ALL TIMES • AVOID JERKING LOAD



JIB 1000 LBS. MAX. PERSONNEL 900 LBS. MAX.

ELLIOTT
EQUIPMENT COMPANY

DO NOT PAINT OVER ANY LABELS

030405 1090710

CHASSIS DATA

	S70R
Wheelbase (WB)	211" / 536 cm
Cab to Axle (CA)	144" / 366 cm
Cab to End of Frame (EOF)	244" / 620 cm
Frame Section Modulus	16.6 in3 / 120,000 psi
Front Axle Gross Weight Rating	14,000 lb / 6,350 kg
Rear Axle Gross Weight Rating	34,000 lb / 15,422 kg
Extended Front Frame	N/A

Chassis data is minimum general requirements-not for engineering.
Actual dimensions and truck data will depend on truck selection and axle configuration.

OPTIONS



Radio Remote Control

Interference protected radio remotes let you get closer to your work and have full control over your machine.



Platform Material Handling Jib

Equip your HiReach platform with a material handling jib crane to lift up to 500 pounds right from the platform.



High Capacity Boom Winch

Take advantage of the SkyWalk's boom strength by adding a 2,00 lb, 5,900 lb or 9,000 lb capacity boom winch.



Outrigger Pad Holders

Outrigger pad holders safely store your pads for travel and leave plenty of room for tool boxes.



Bed Accessories

Mount a wide variety of tool accessories including welders, power washers, and generators on the bed with lines to the platform.



Platform Accessories

Choose from a list of platform accessories including 110V outlets, welding leads, hydraulic tools, and much more.



High Clearance Outriggers

Our specialized high clearance outriggers provide additional vertical clearance, making it easy to operate along side guard rails or on uneven terrain.



Line Body

Let us work with you to customize a line body to secure your tools and supplies the the best way for your application.